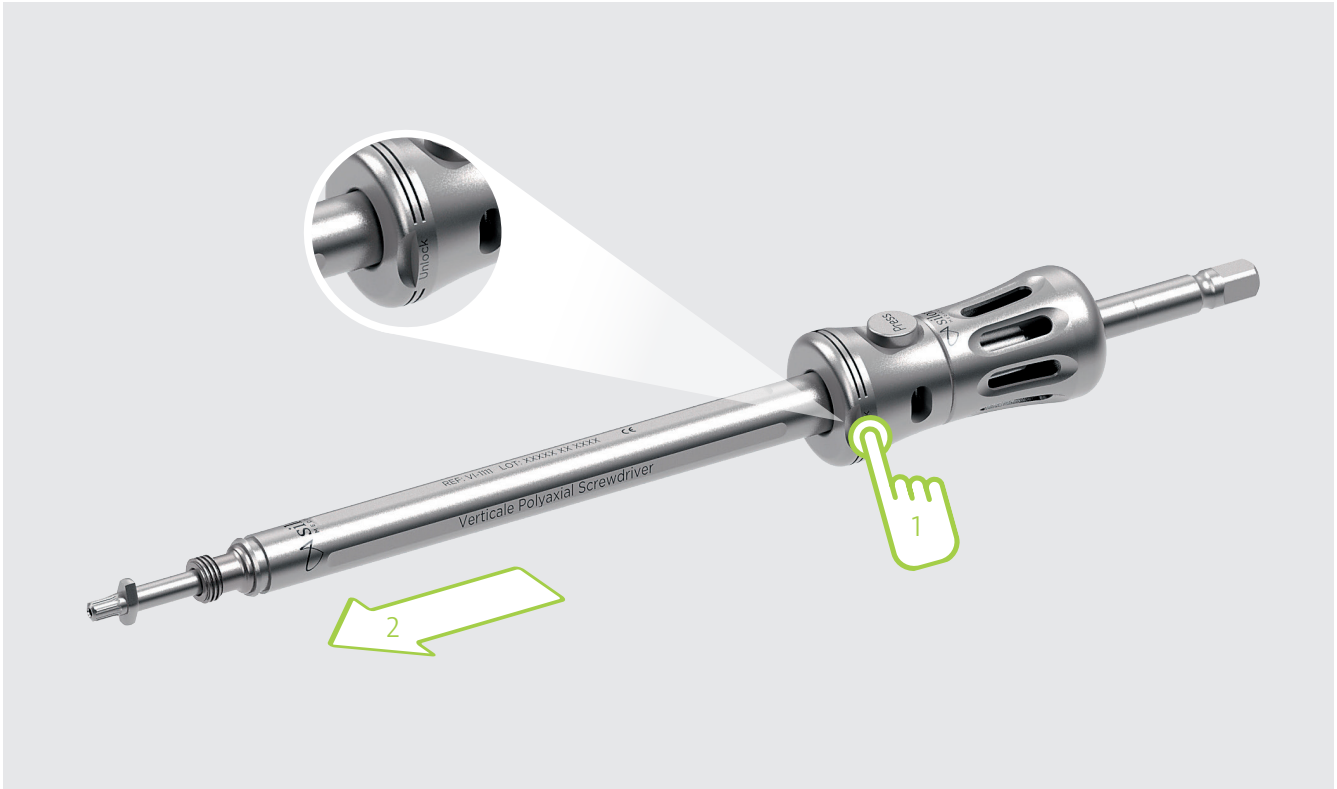


# VERTICALE®

VI-1110  
[ VI-1111 ]



D30003

D30000

D30005.c.YY  
07.04.2022

Silony Medical GmbH  
Leinfelder Straße 60  
70771 Leinfelden-Echterdingen  
Tel +49 711 78 25 25 0  
Fax +49 711 78 25 25 11  
[www.silony-medical.com](http://www.silony-medical.com)

[elabeling.silony-medical.com/contact](mailto:elabeling.silony-medical.com/contact)

CE

MADE IN GERMANY