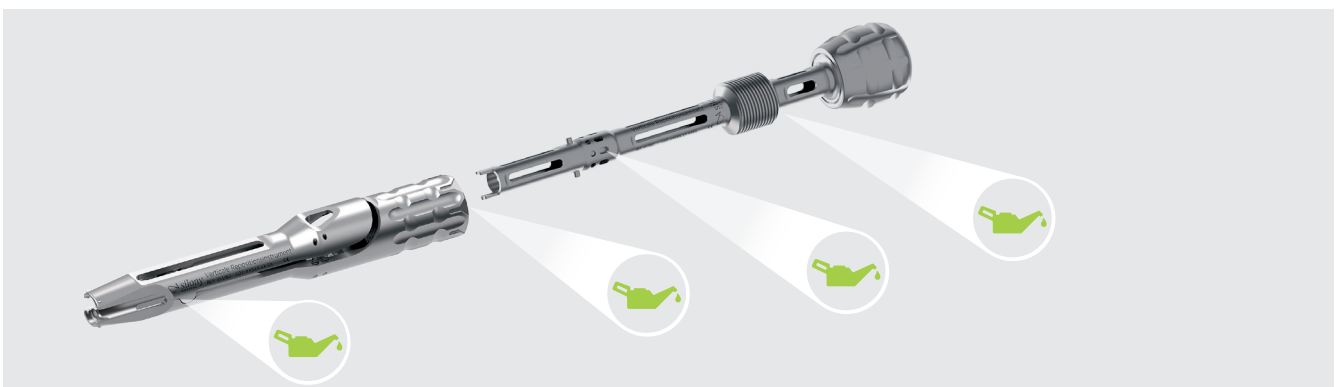
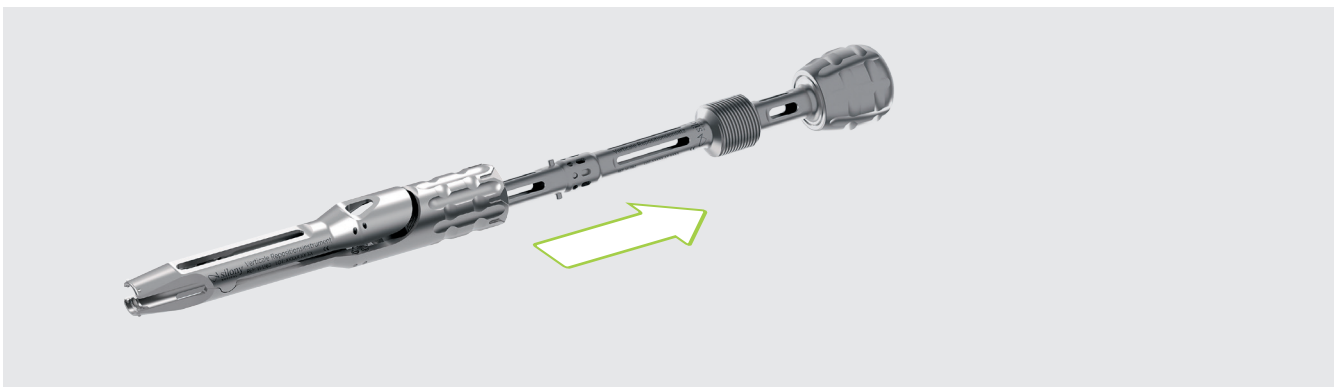
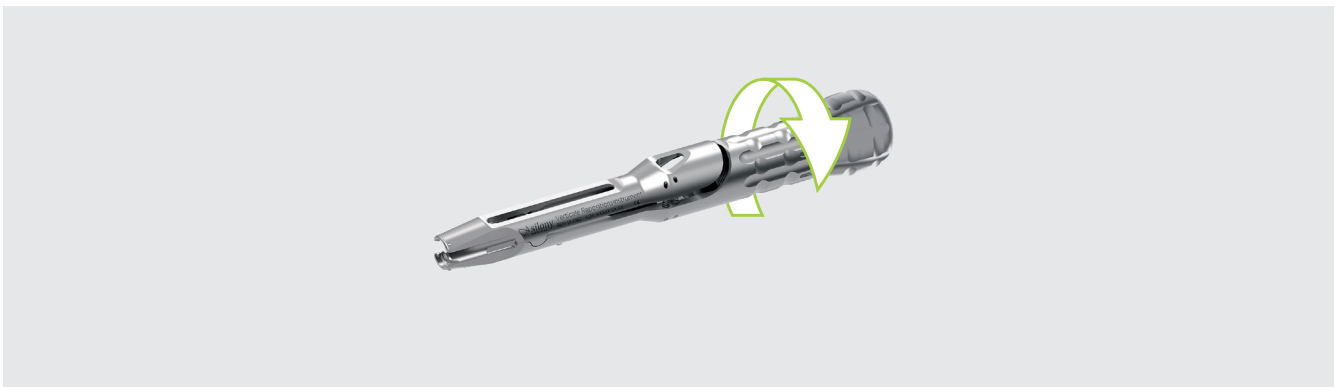
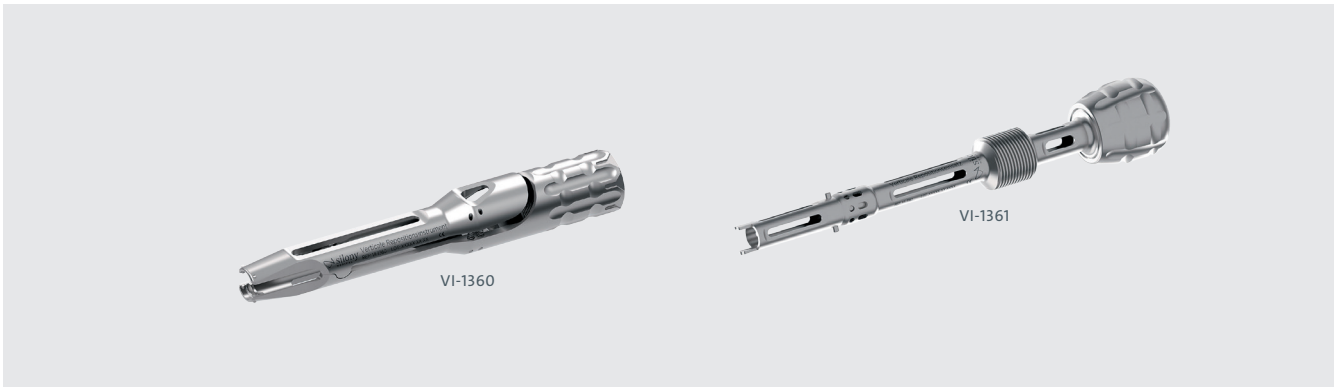


VERTICALE®


VI-1360 | VI-1361



 D30003

 D30000

D30006.b.YY
24.02.2016

 **Silony Medical Europe GmbH**
Bahnhofstraße 1
28195 Bremen, Germany
Tel +49 421 24 69 56 0
Fax +49 421 24 69 56 55

 **Silony Medical GmbH**
Leinfelder Straße 60
70771 Leinfelden-Echterdingen, Germany
Tel +49 711 78 25 25 0
Fax +49 711 78 25 25 11

www.silony-medical.com

MADE IN GERMANY