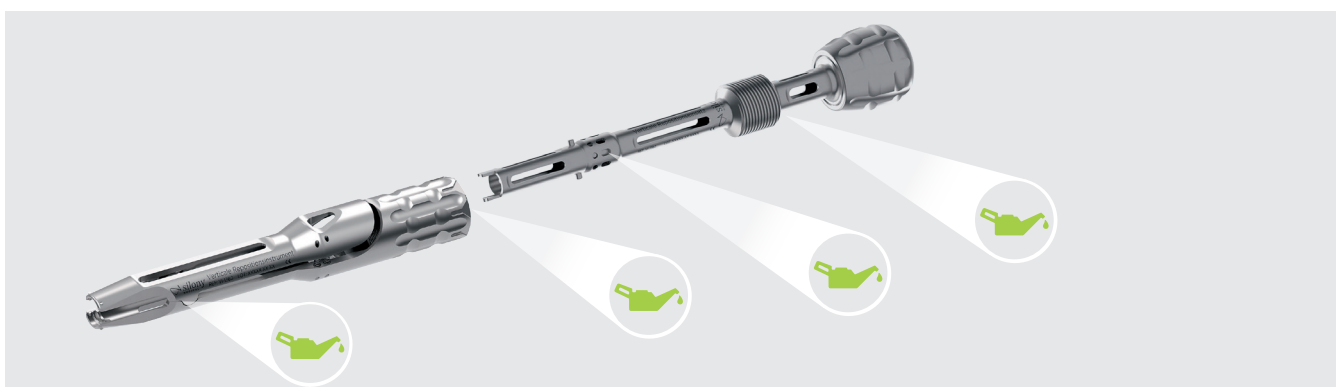
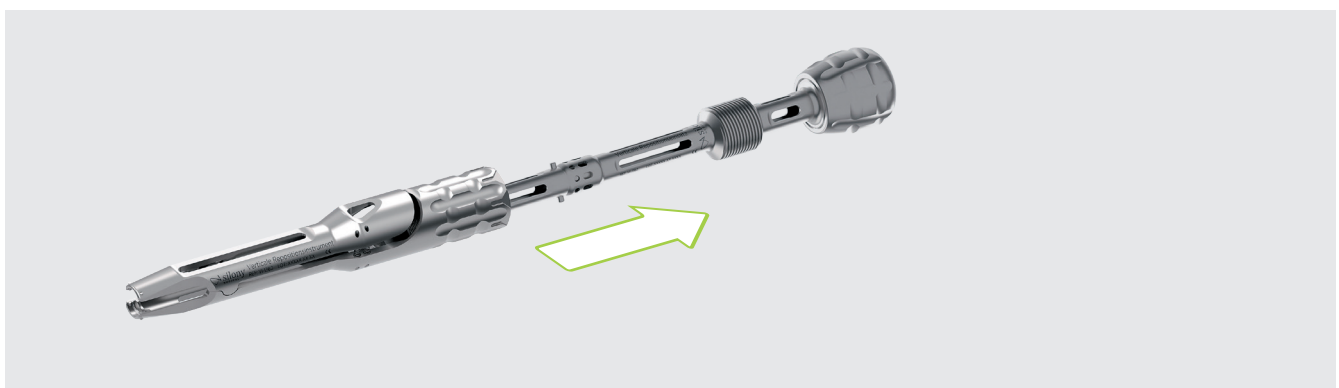
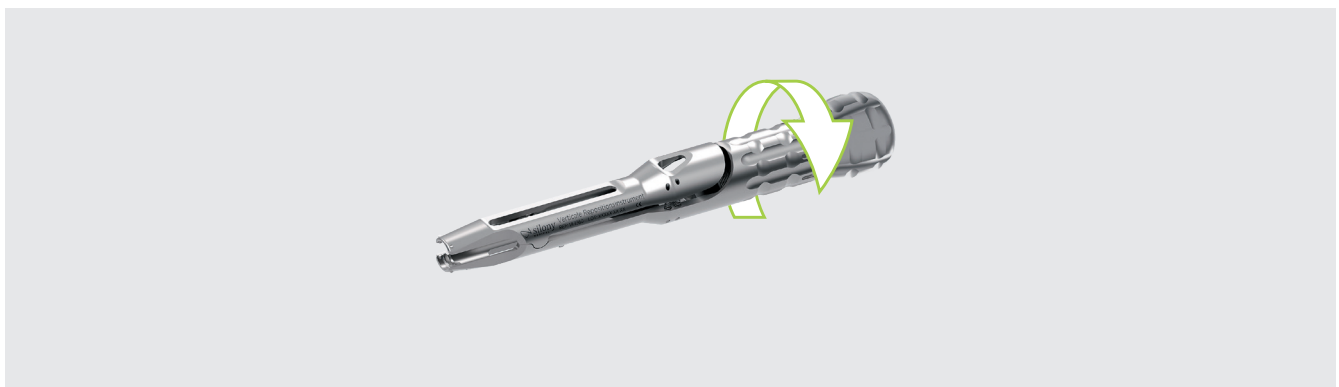
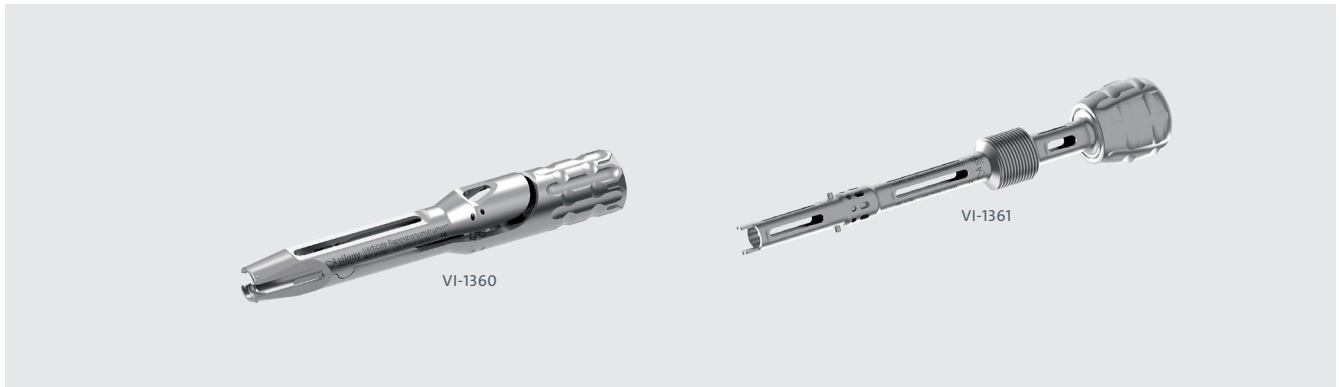


VERTICALE®

VI-1360 | VI-1361



 D30003

 D30000

D30006.c.YY
07.04.2022

 **Silony Medical GmbH**
Leinfelder Straße 60
70771 Leinfelden-Echterdingen
Tel +49 711 78 25 25 0
Fax +49 711 78 25 25 11
www.silony-medical.com

 [e labeling.silony-medical.com/contact](https://labeling.silony-medical.com/contact)

CE

MADE IN GERMANY