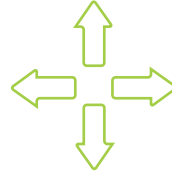


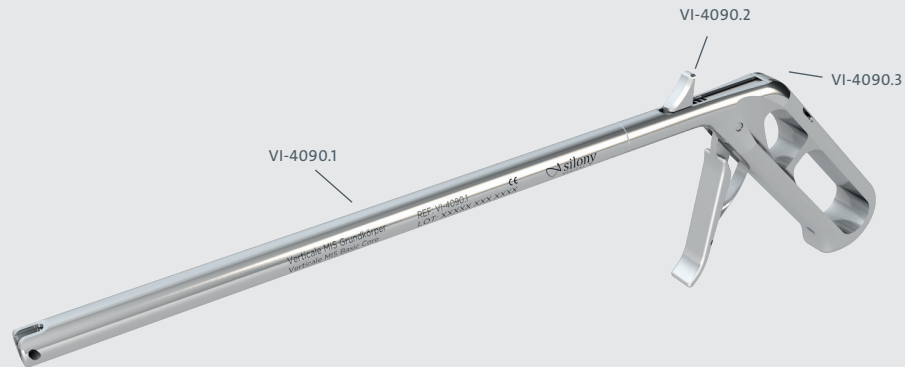
VERTICALE[®] MIS

VI-4090

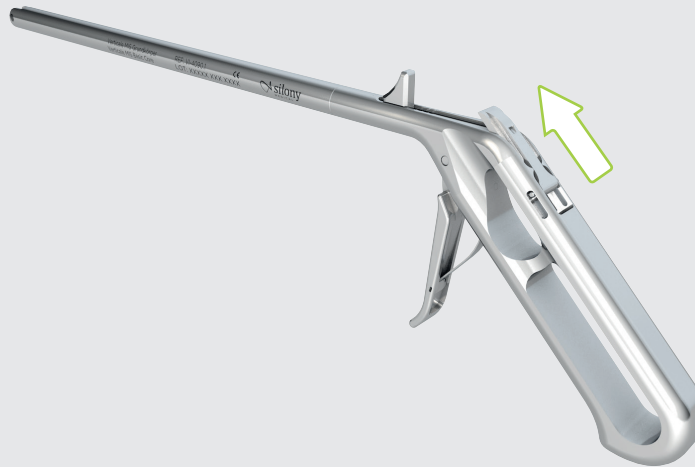
[VI-4090.1; VI-4090.2; VI-4090.3]



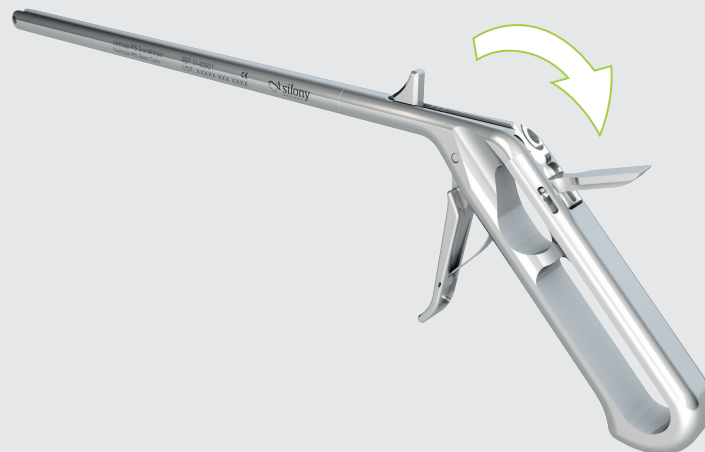
A)



B)



C)



D30003

1/4

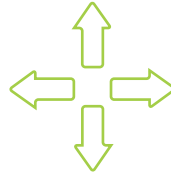
D30103.bYY
13.04.2022

D30049

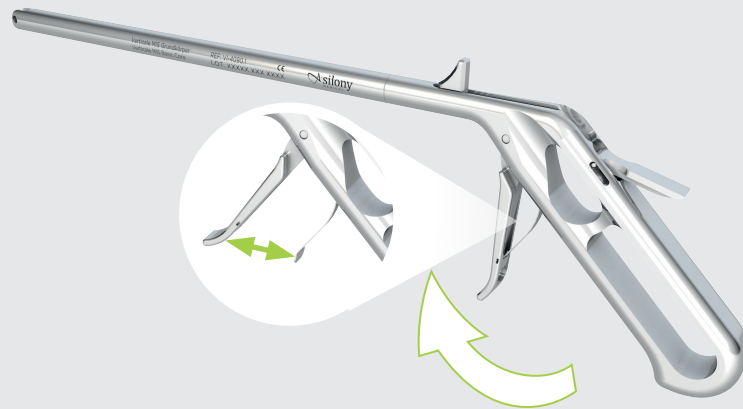
VERTICALE[®] MIS

VI-4090

[VI-4090.1; VI-4090.2; VI-4090.3]



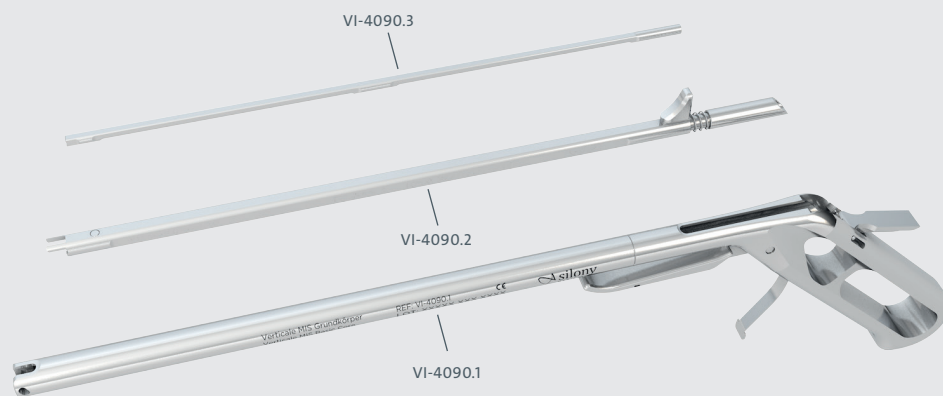
D)



E)



F)



D30003

2/4

D30103.b.YY
13.04.2022

D30049

Silony Medical GmbH
Leinfelder Straße 60
70771 Leinfelden-Echterdingen
Tel +49 711 78 25 25 0
Fax +49 711 78 25 25 11
www.silony-medical.com

elabeling.silony-medical.com/contact

CE

MADE IN GERMANY

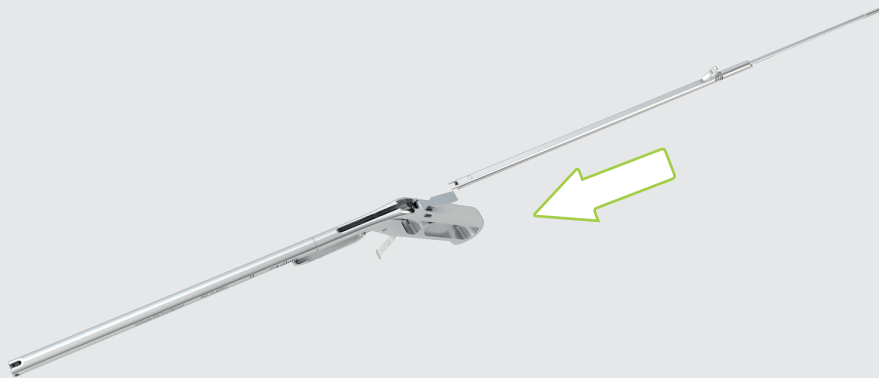
VERTICALE[®] MIS

VI-4090

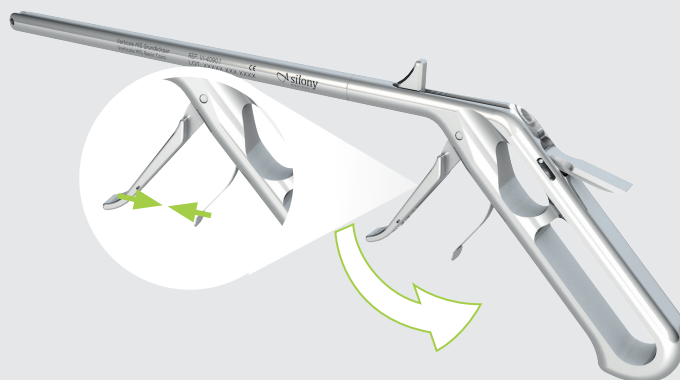
[VI-4090.1; VI-4090.2; VI-4090.3]



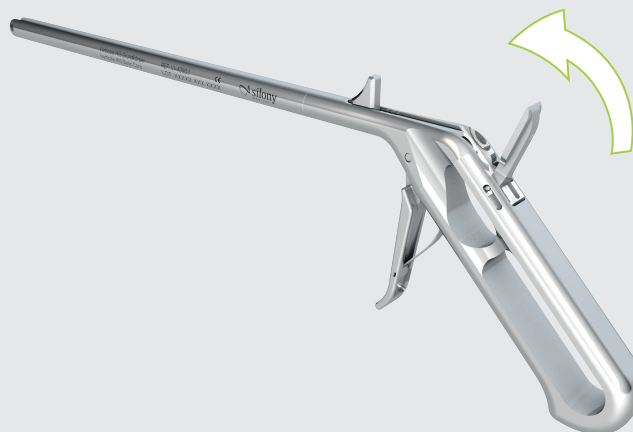
G)



H)



I)



D30003

3/4

D30103.b.YY
13.04.2022

D30049

Silony Medical GmbH
Leinfelder Straße 60
70771 Leinfelden-Echterdingen
Tel +49 711 78 25 25 0
Fax +49 711 78 25 25 11
www.silony-medical.com

elabeling.silony-medical.com/contact

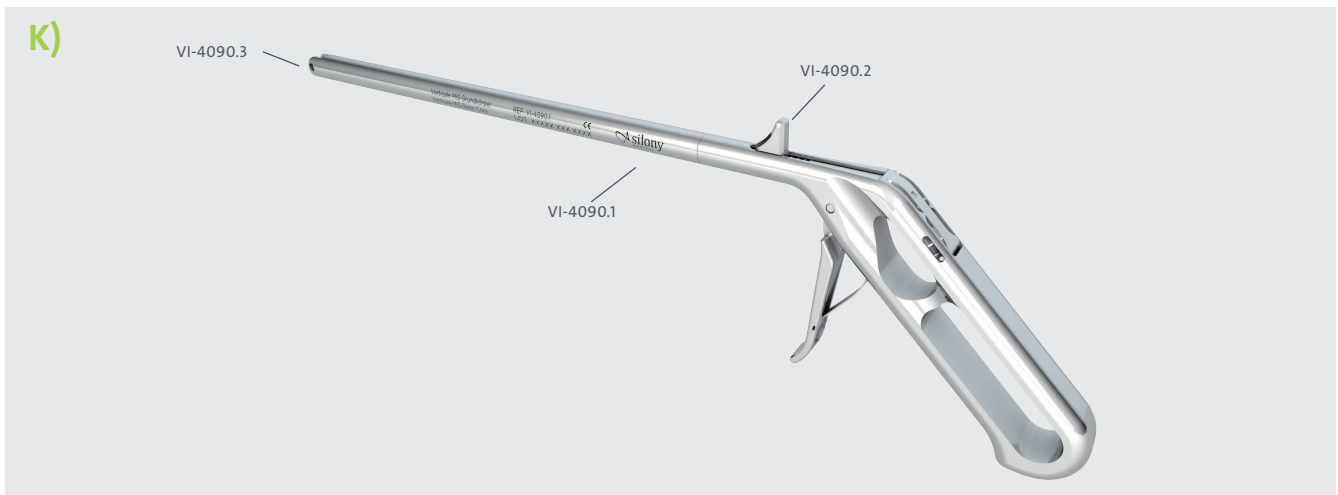
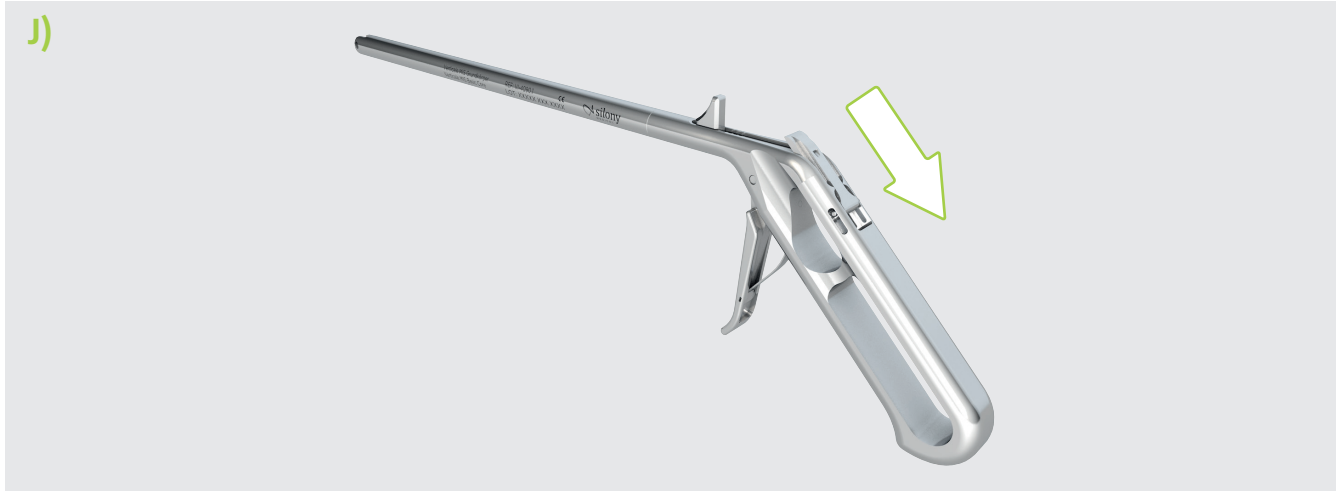
CE

MADE IN GERMANY

VERTICALE[®] MIS

VI-4090

[VI-4090.1; VI-4090.2; VI-4090.3]



D30003

4/4

D30103.b.YY
13.04.2022

D30049

Silony Medical GmbH
Leinfelder Straße 60
70771 Leinfelden-Echterdingen
Tel +49 711 78 25 25 0
Fax +49 711 78 25 25 11
www.silony-medical.com

elabeling.silony-medical.com/contact

CE

MADE IN GERMANY