

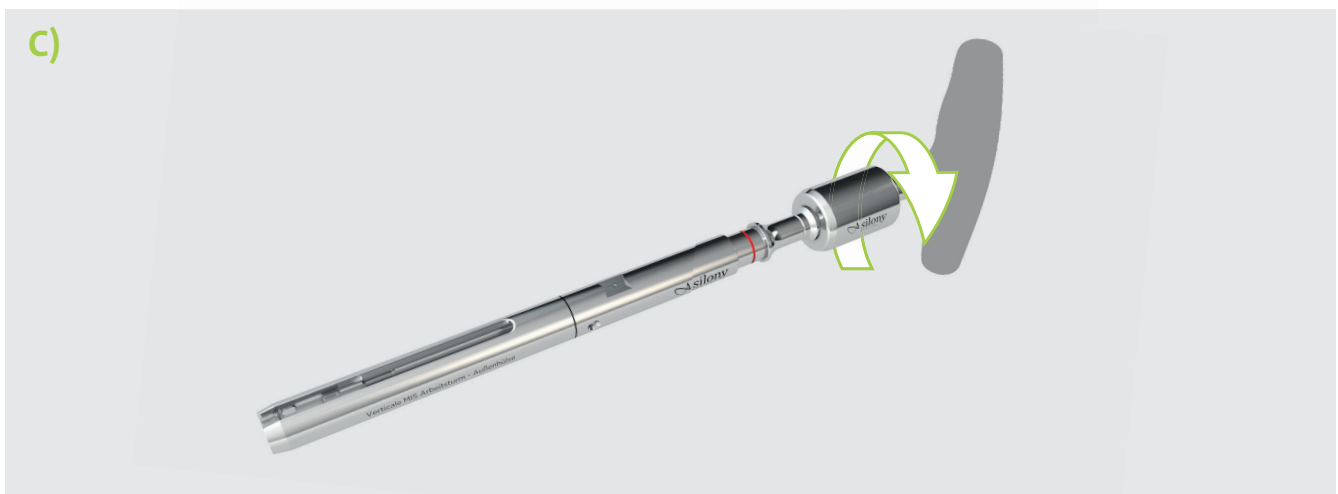
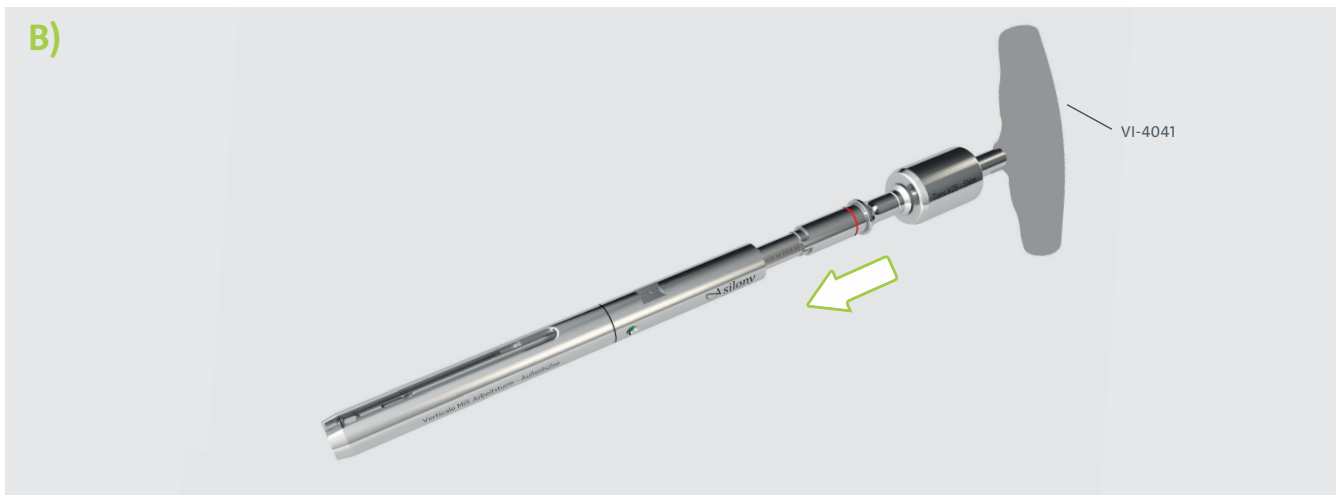
# VERTICALE<sup>®</sup> MIS

VI-4040

[ VI-4040.1; VI-4040.2; VI-4041; VI-4180; VI-4181.1 ]



**silony**<sup>®</sup>  
MEDICAL



D30003

1/4

D30105.b.YY  
23.05.2019

D30049

**Silony Medical Europe GmbH**

Bahnhofstraße 1  
28195 Bremen, Germany  
Tel +49 421 24 69 56 0  
Fax +49 421 24 69 56 55

[www.silony-medical.com](http://www.silony-medical.com)

**Silony Medical GmbH**

Leinfelder Straße 60  
70771 Leinfelden-Echterdingen, Germany  
Tel +49 711 78 25 25 0  
Fax +49 711 78 25 25 11

**CE** 0483

MADE IN GERMANY

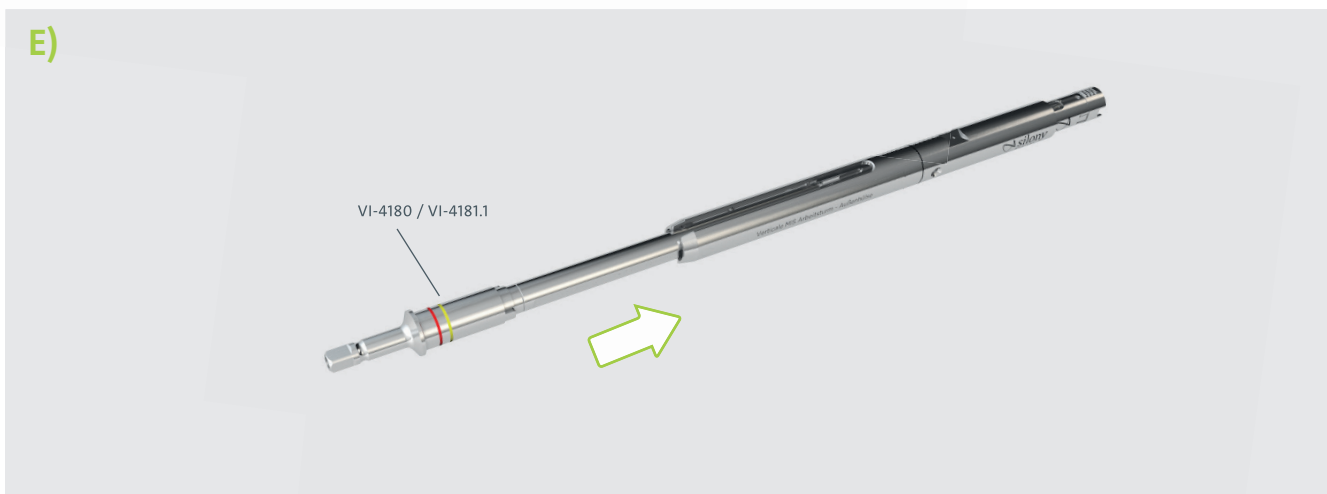
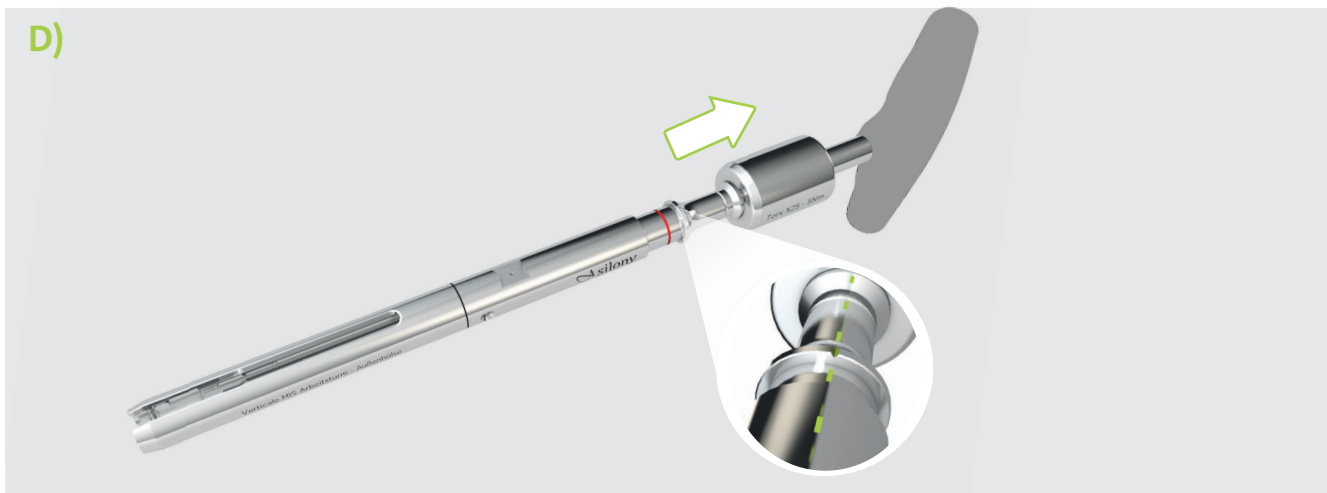
# VERTICALE<sup>®</sup> MIS

VI-4040

[ VI-4040.1; VI-4040.2; VI-4041; VI-4180; VI-4181.1 ]



**silony**<sup>®</sup>  
MEDICAL



D30003

2/4

D30105.b.YY  
23.05.2019

D30049

**Silony Medical Europe GmbH**

Bahnhofstraße 1  
28195 Bremen, Germany  
Tel +49 421 24 69 56 0  
Fax +49 421 24 69 56 55

[www.silony-medical.com](http://www.silony-medical.com)

**Silony Medical GmbH**

Leinfelder Straße 60  
70771 Leinfelden-Echterdingen, Germany  
Tel +49 711 78 25 25 0  
Fax +49 711 78 25 25 11

**CE** 0483

MADE IN GERMANY

# VERTICALE<sup>®</sup> MIS

VI-4040

[ VI-4040.1; VI-4040.2; VI-4041; VI-4180; VI-4181.1 ]

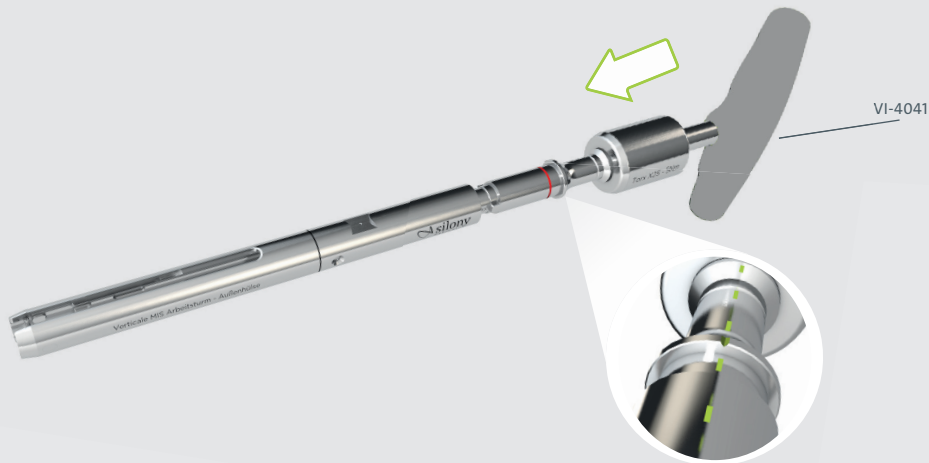


**silony**<sup>®</sup>  
MEDICAL

G)



H)



I)



D30003

3/4

D30105.b.YY  
23.05.2019

D30049

Silony Medical Europe GmbH

Bahnhofstraße 1  
28195 Bremen, Germany  
Tel +49 421 24 69 56 0  
Fax +49 421 24 69 56 55

[www.silony-medical.com](http://www.silony-medical.com)

Silony Medical GmbH

Leinfelder Straße 60  
70771 Leinfelden-Echterdingen, Germany  
Tel +49 711 78 25 25 0  
Fax +49 711 78 25 25 11

CE 0483

MADE IN GERMANY

# VERTICALE<sup>®</sup> MIS

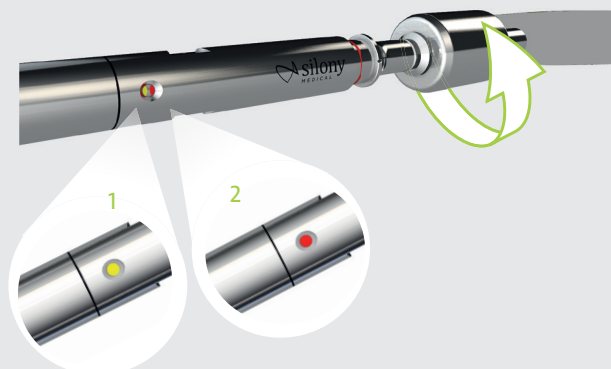
VI-4040

[ VI-4040.1; VI-4040.2; VI-4041; VI-4180; VI-4181.1 ]

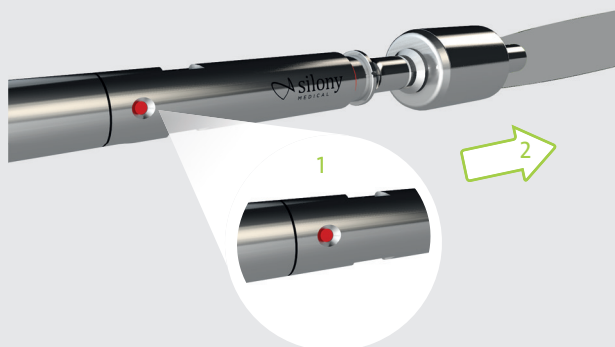


**silony**<sup>®</sup>  
MEDICAL

J)



K)



L)



D30003

4/4

D30105.b.YY  
23.05.2019

D30049

**Silony Medical Europe GmbH**

Bahnhofstraße 1  
28195 Bremen, Germany  
Tel +49 421 24 69 56 0  
Fax +49 421 24 69 56 55

[www.silony-medical.com](http://www.silony-medical.com)

**Silony Medical GmbH**

Leinfelder Straße 60  
70771 Leinfelden-Echterdingen, Germany  
Tel +49 711 78 25 25 0  
Fax +49 711 78 25 25 11

**CE** 0483

MADE IN GERMANY