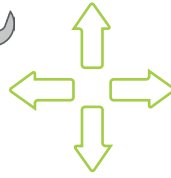


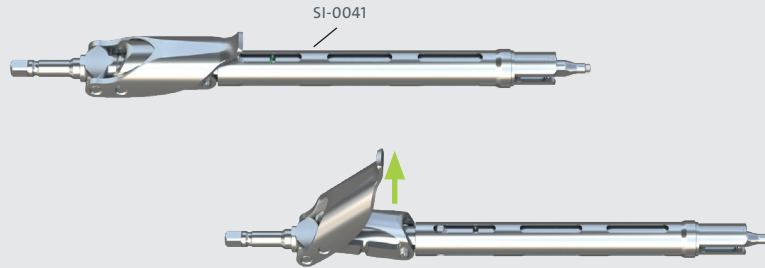
SI-0041

[SI-0041.1; SI-0041.2; 0041.3; 0041.4; 0041.5]

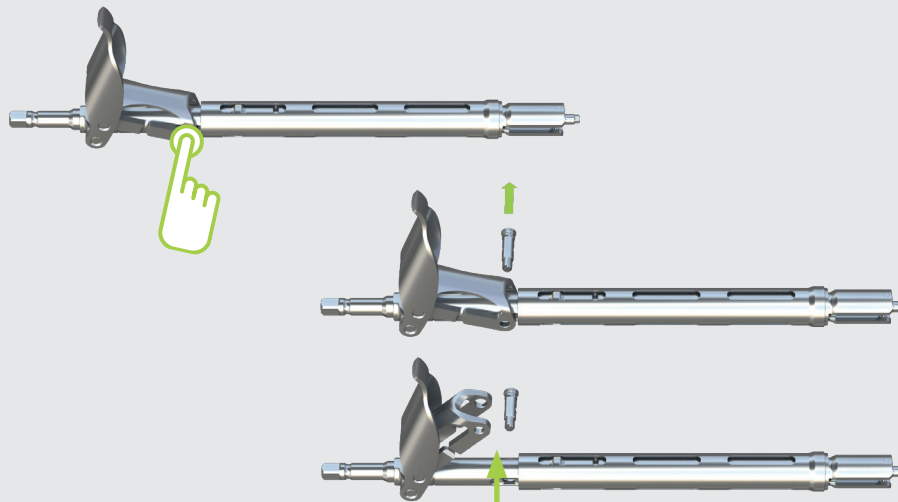


specials
TEAM

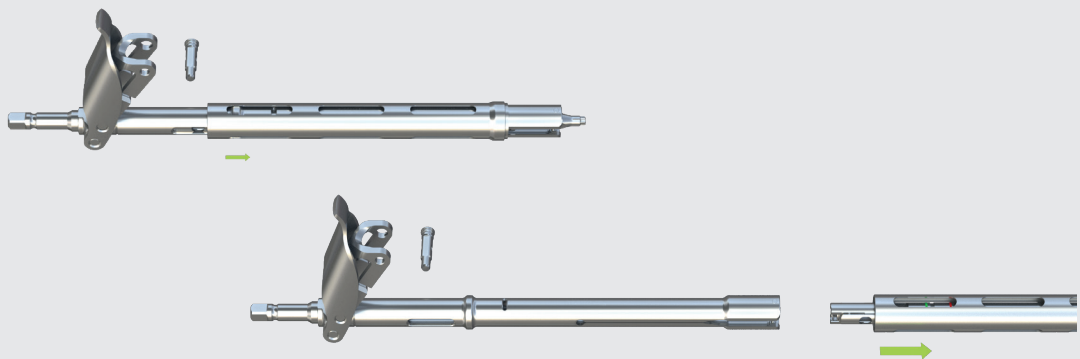
A)



B)



C)



D30003

1/4

D30203.b.YY
29.09.2022

D30000

Silony Medical GmbH
Leinfelder Straße 60
70771 Leinfelden-Echterdingen
Tel +49 711 78 25 25 0
Fax +49 711 78 25 25 11

www.silony-medical.com

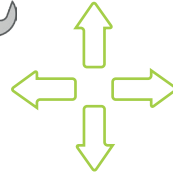
elabeling.silony-medical.com/contact

CE 0483

MADE IN GERMANY

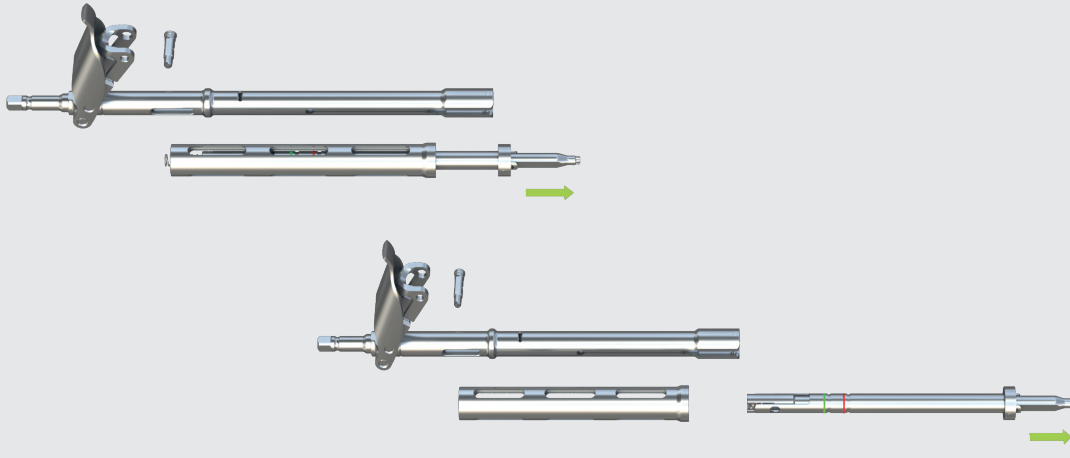
SI-0041

[SI-0041.1; SI-0041.2; 0041.3; 0041.4; 0041.5]

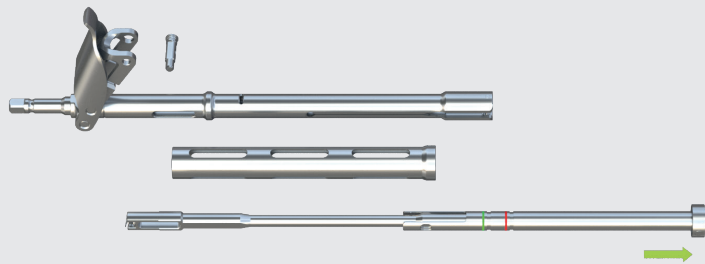


specials
TEAM

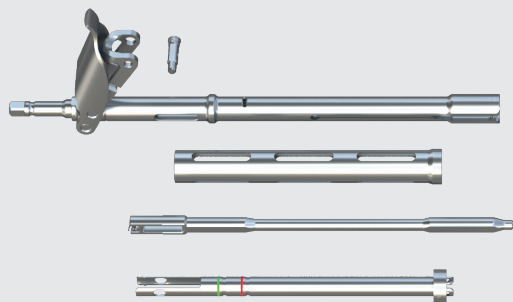
D)



E)



F)



D30003

2/4

D30203.b.YY
29.09.2022

D30000

Silony Medical GmbH
Leinfelder Straße 60
70771 Leinfelden-Echterdingen
Tel +49 711 78 25 25 0
Fax +49 711 78 25 25 11

www.silony-medical.com

elabeling.silony-medical.com/contact

0483

MADE IN GERMANY

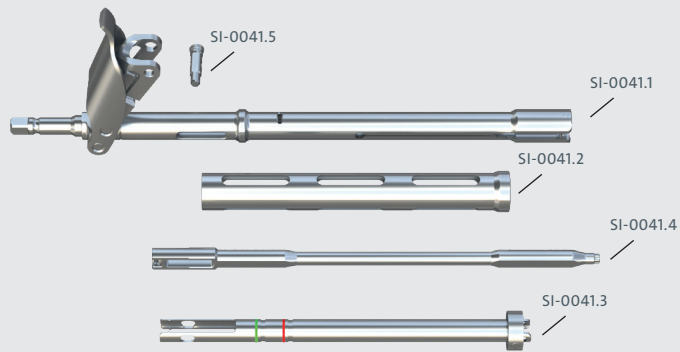
SI-0041

[SI-0041.1; SI-0041.2; 0041.3; 0041.4; 0041.5]

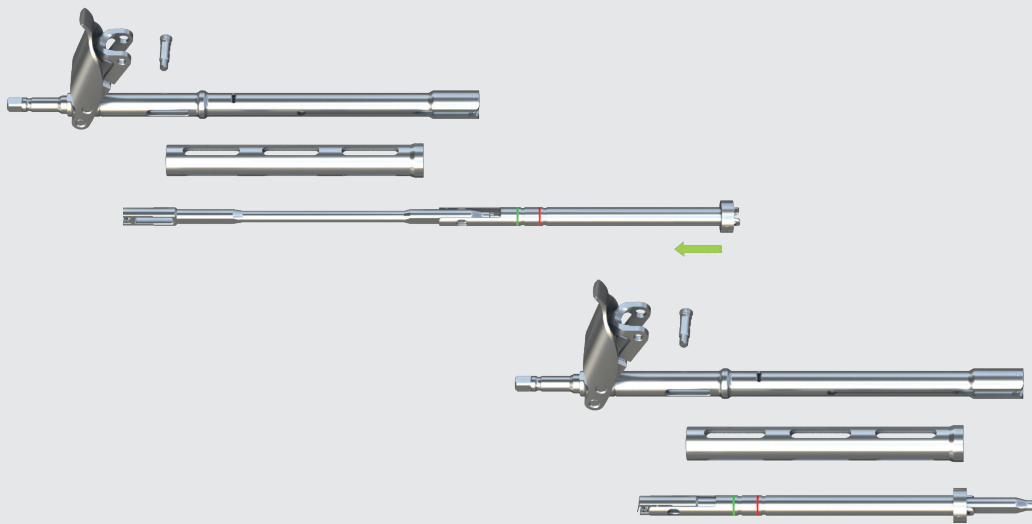


specials
TEAM

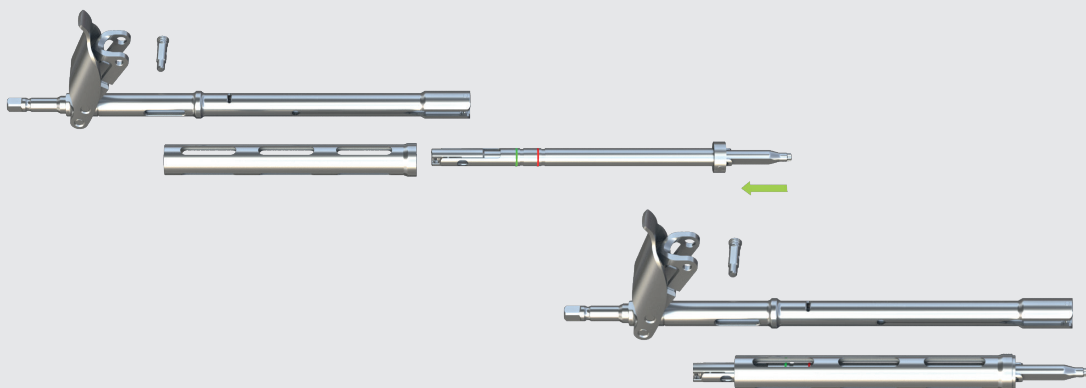
A)



B)



C)



D30003

3/4

D30203.b.YY
29.09.2022

D30000

Silony Medical GmbH
Leinfelder Straße 60
70771 Leinfelden-Echterdingen
Tel +49 711 78 25 25 0
Fax +49 711 78 25 25 11

www.silony-medical.com

elabeling.silony-medical.com/contact

CE₀₄₈₃

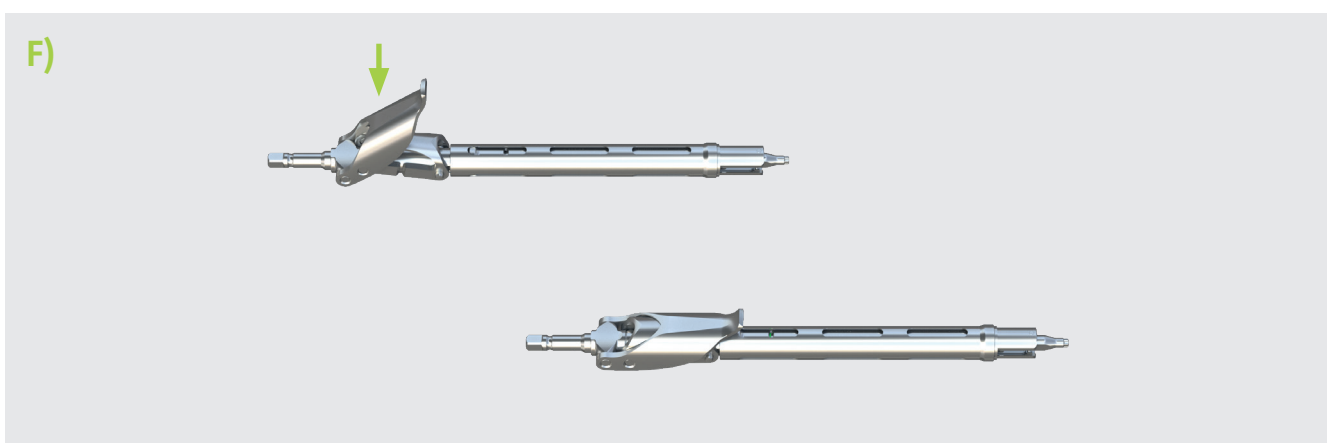
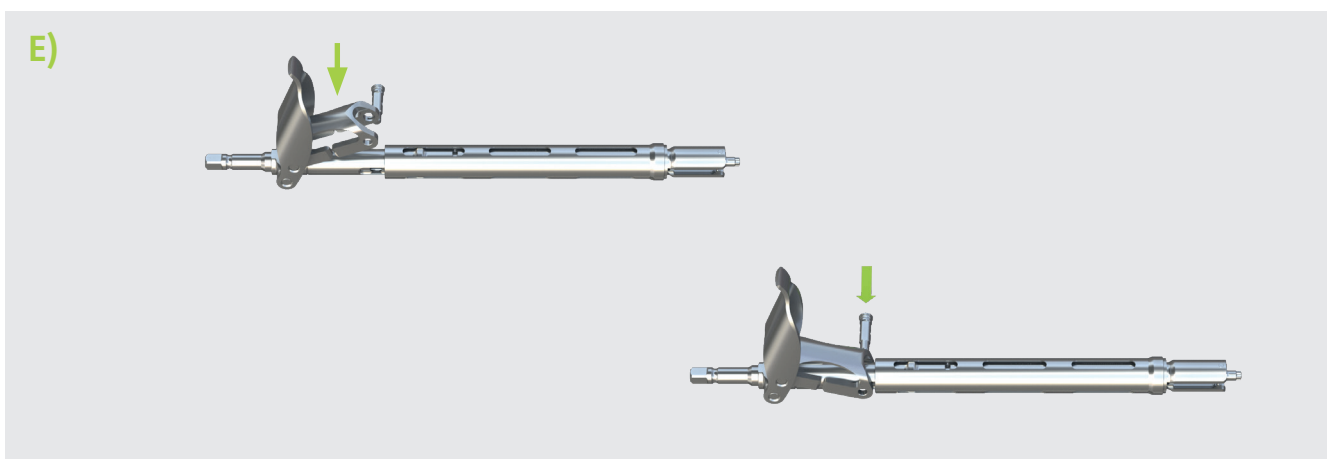
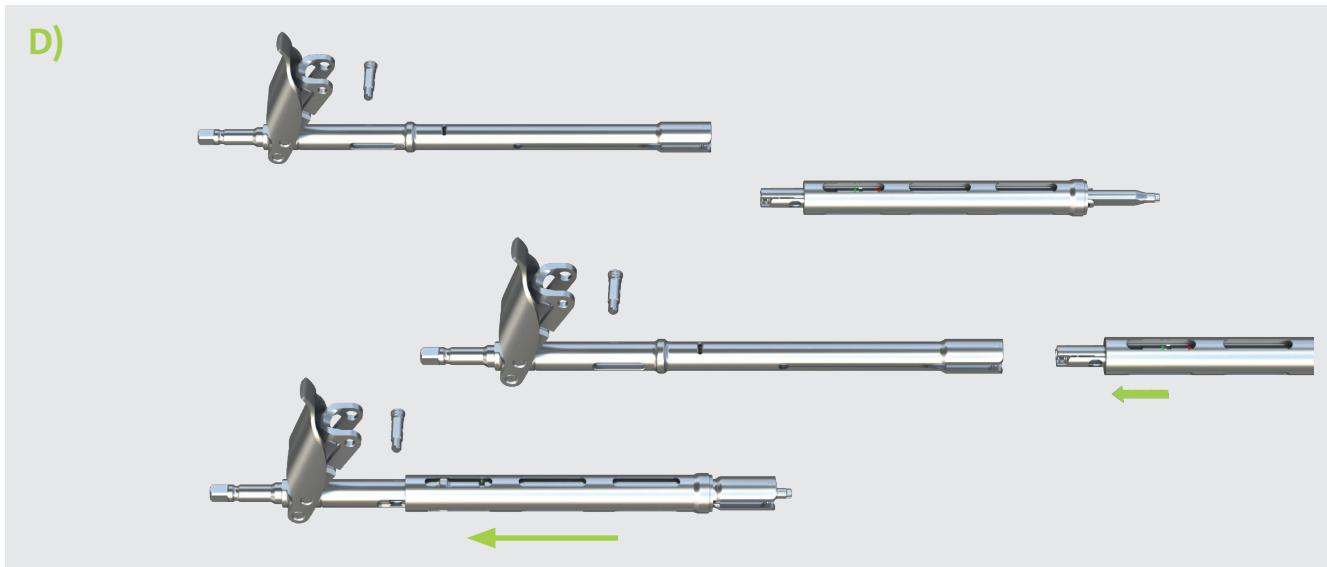
MADE IN GERMANY

SI-0041

[SI-0041.1; SI-0041.2; 0041.3; 0041.4; 0041.5]



specials
TEAM



D30003

4/4

D30203.b.YY
29.09.2022

D30000

Silony Medical GmbH
Leinfelder Straße 60
70771 Leinfelden-Echterdingen
Tel +49 711 78 25 25 0
Fax +49 711 78 25 25 11
www.silony-medical.com

elabeling.silony-medical.com/contact

0483

MADE IN GERMANY