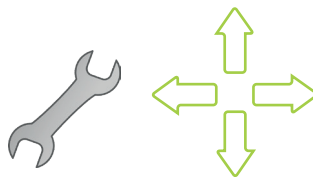


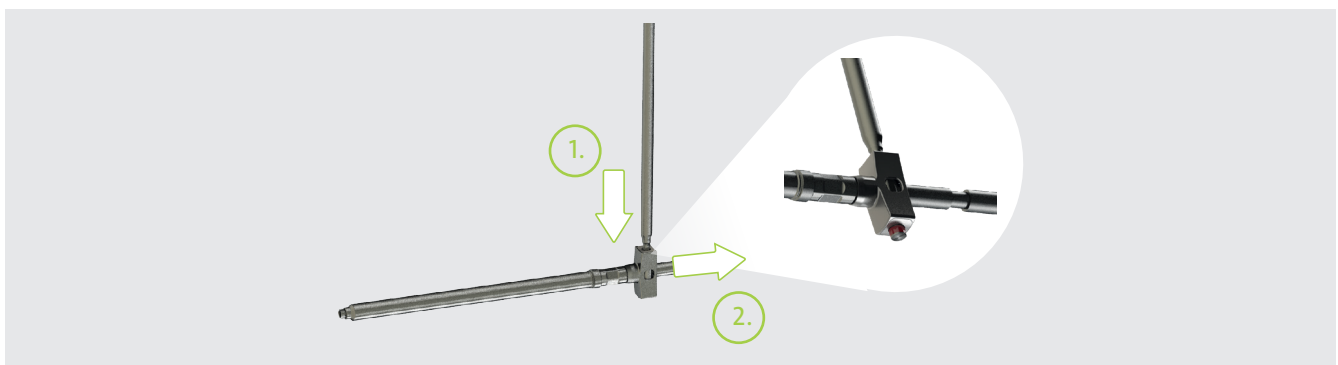
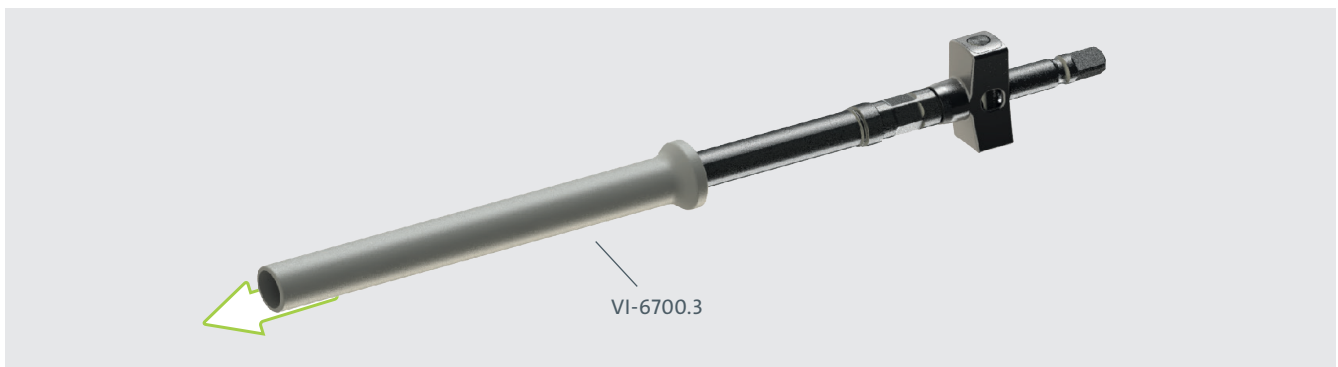
VERTICALE®

VI-6700

[VI-6700.1; VI-6700.2; VI-6700.3; VI-6710]



silony
SPINE



D30003

1/2

D30292.a.YY
22.05.2024

D30172
D30173

Silony Medical GmbH

Leinfelder Straße 60
70771 Leinfelden-Echterdingen

Tel +49 711 78 25 25 0

Fax +49 711 78 25 25 11

www.silonyspine.com

elabeling.silony-medical.com/contact

CE 0483

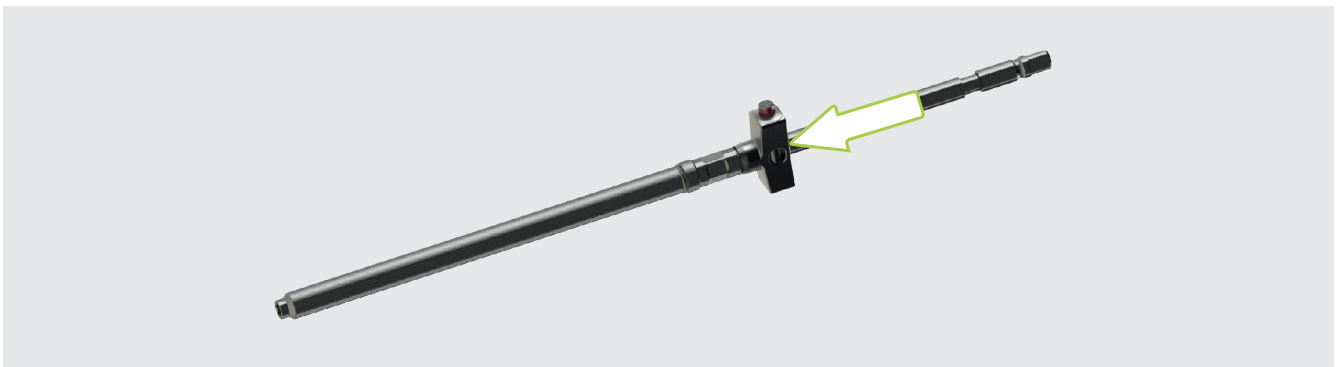
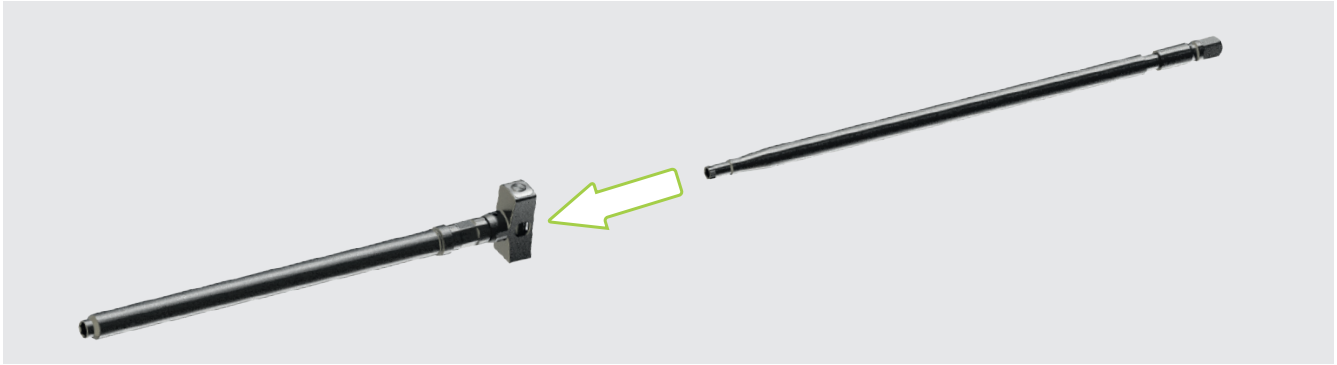
MADE IN GERMANY

VERTICALE®



VI-6700

[VI-6700.1; VI-6700.2; VI-6700.3; VI-6710]



D30003

2/2

D30292.a.YY
22.05.2024

D30172
D30173

Silony Medical GmbH
Leinfelder Straße 60
70771 Leinfelden-Echterdingen
Tel +49 711 78 25 25 0
Fax +49 711 78 25 25 11
www.silonyspine.com

labeling.silony-medical.com/contact

CE₀₄₈₃

MADE IN GERMANY