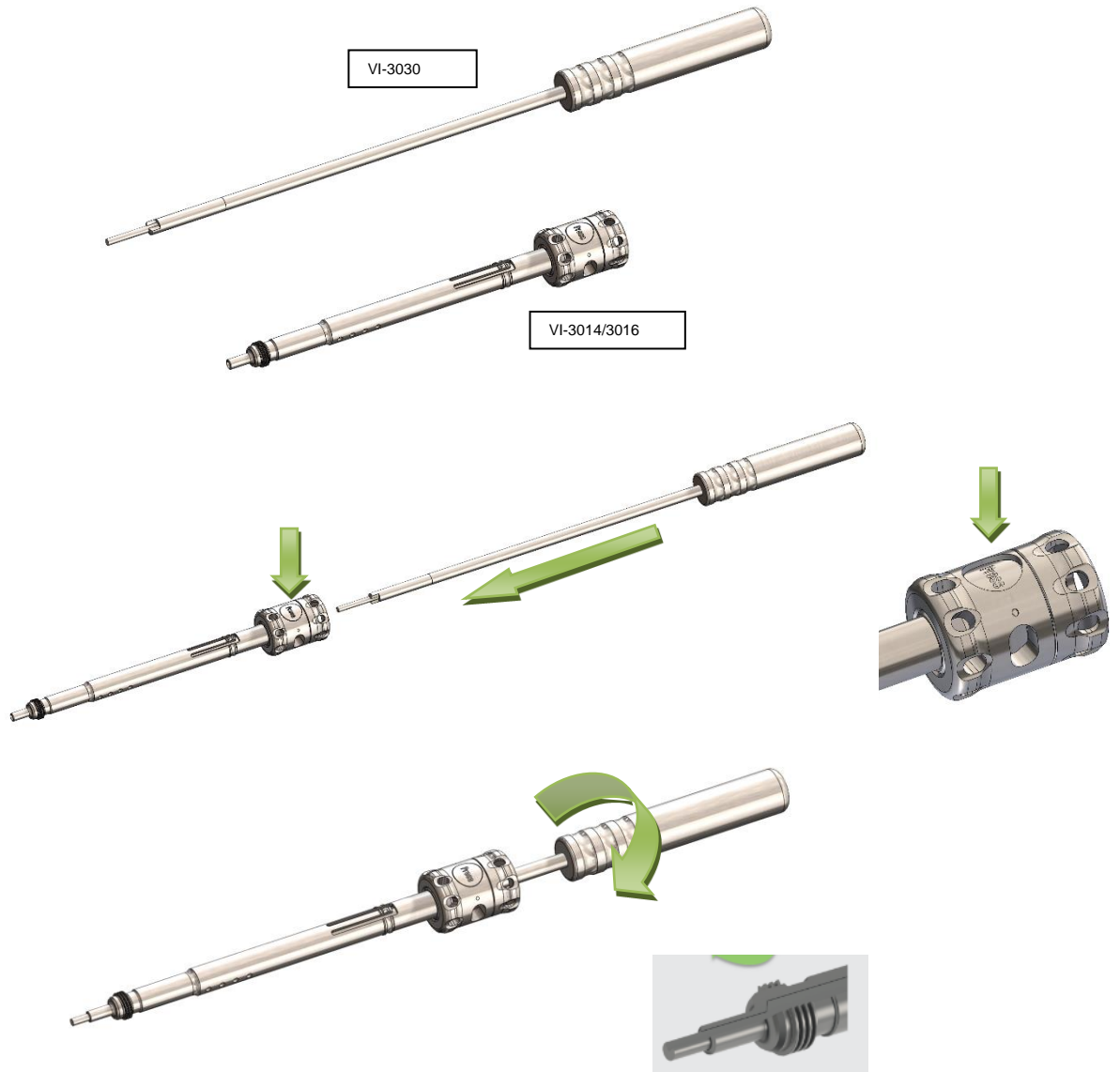


# VERTICALE®

VI-3030 | VI-3014/VI-3016



 D30003

 D30000; D30015

D30037.f.YY  
23.02.2022

 **Silony Medical GmbH**

Leinfelder Straße 60  
70771 Leinfelden-Echterdingen, Germany  
Tel +49 711 78 25 25 0  
Fax +49 711 78 25 25 11  
www.silony-medical.com

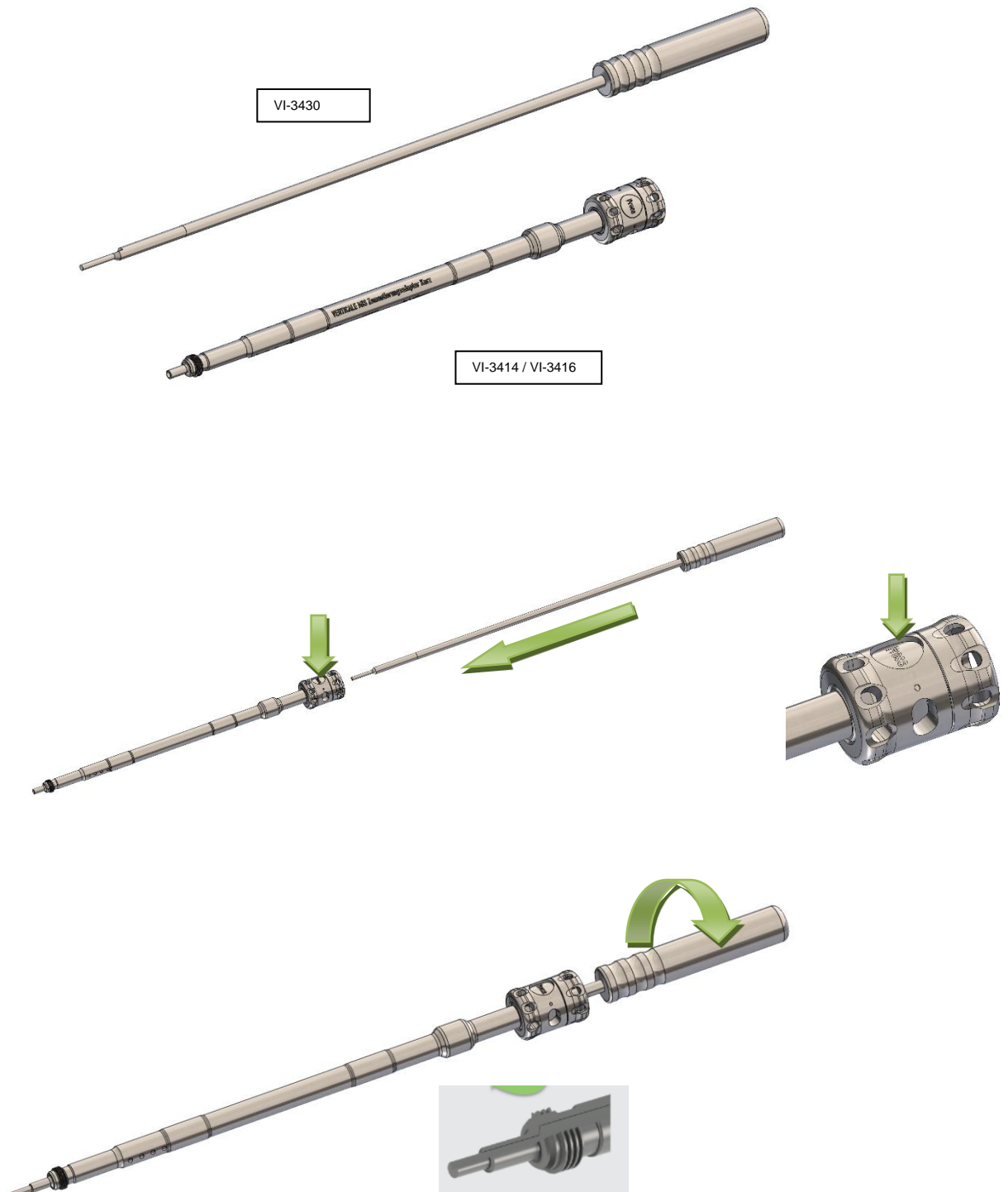
 [elabeling.silony-medical.com/contact](mailto:elabeling.silony-medical.com/contact)



MADE IN GERMANY

# VERTICALE®

VI-3430 | VI-3414/VI-3416



 D30003

 D30000 D30015

D30037.f.YY  
23.02.2022

 **Silony Medical GmbH**

Leinfelder Straße 60  
70771 Leinfelden-Echterdingen, Germany  
Tel +49 711 78 25 25 0  
Fax +49 711 78 25 25 11  
www.silony-medical.com

 [labeling.silony-medical.com/contact](http://labeling.silony-medical.com/contact)



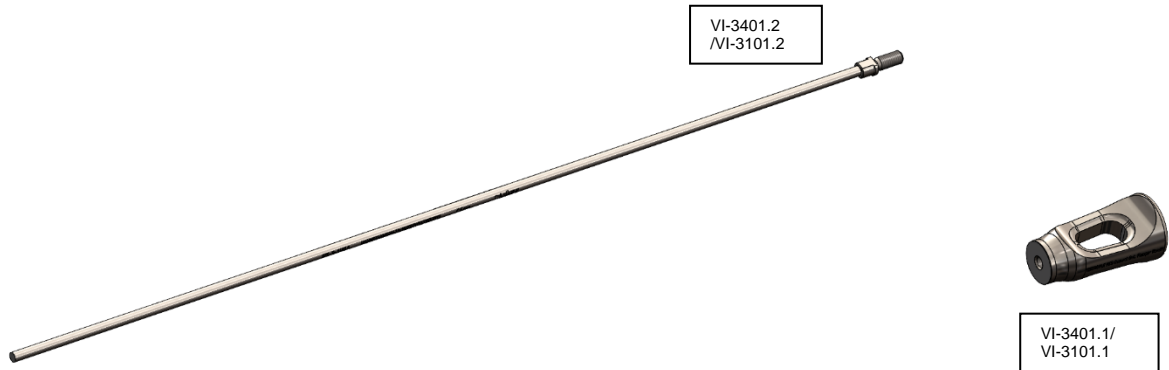
MADE IN GERMANY

# VERTICALE®

VI-3401/VI-3101

[VI-3401.1; VI-3401.2]

[VI-3101.1; VI-3101.2]



 D30003

 D30000;D30015

D30037.f.YY  
23.02.2022

 **Silony Medical GmbH**

Leinfelder Straße 6  
70771 Leinfelden-Echterdingen, Germany  
Tel +49 711 78 25 25 0  
Fax +49 711 78 25 25 11  
www.silony-medical.com

 [elabeling.silony-medical.com/contact](https://www.silony-medical.com/contact)



MADE IN GERMANY

# VERTICALE®

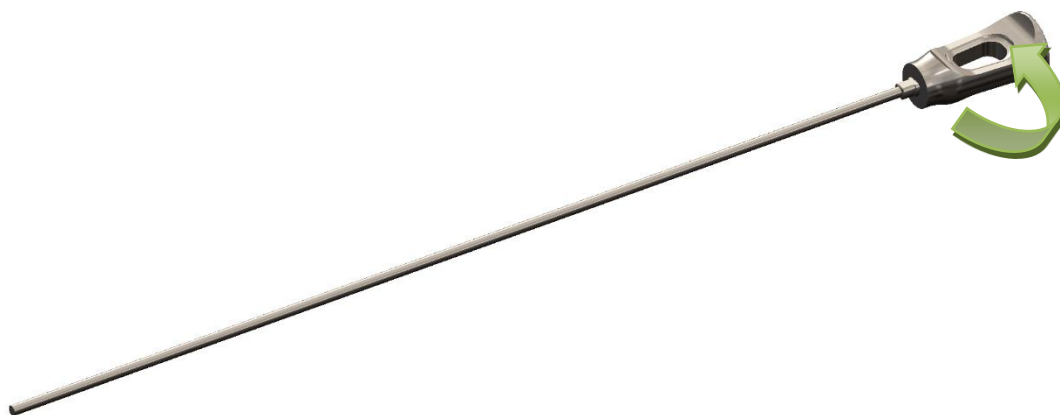
VI-3401/VI-3101

[VI-3401.1; VI-3401.2]

[VI-3101.1; VI-3101.2]



**silony**<sup>®</sup>  
MEDICAL



VI-3401/  
VI-3101

D30003

D30000; D30015

D30037.f.YY  
23.02.2022

**Silony Medical GmbH**

Leinfelder Straße 6  
70771 Leinfelden-Echterdingen, Germany  
Tel +49 711 78 25 25 0  
Fax +49 711 78 25 25 11  
www.silony-medical.com

[elabeling.silony-medical.com/contact](https://www.silony-medical.com/contact)

**CE**

MADE IN GERMANY