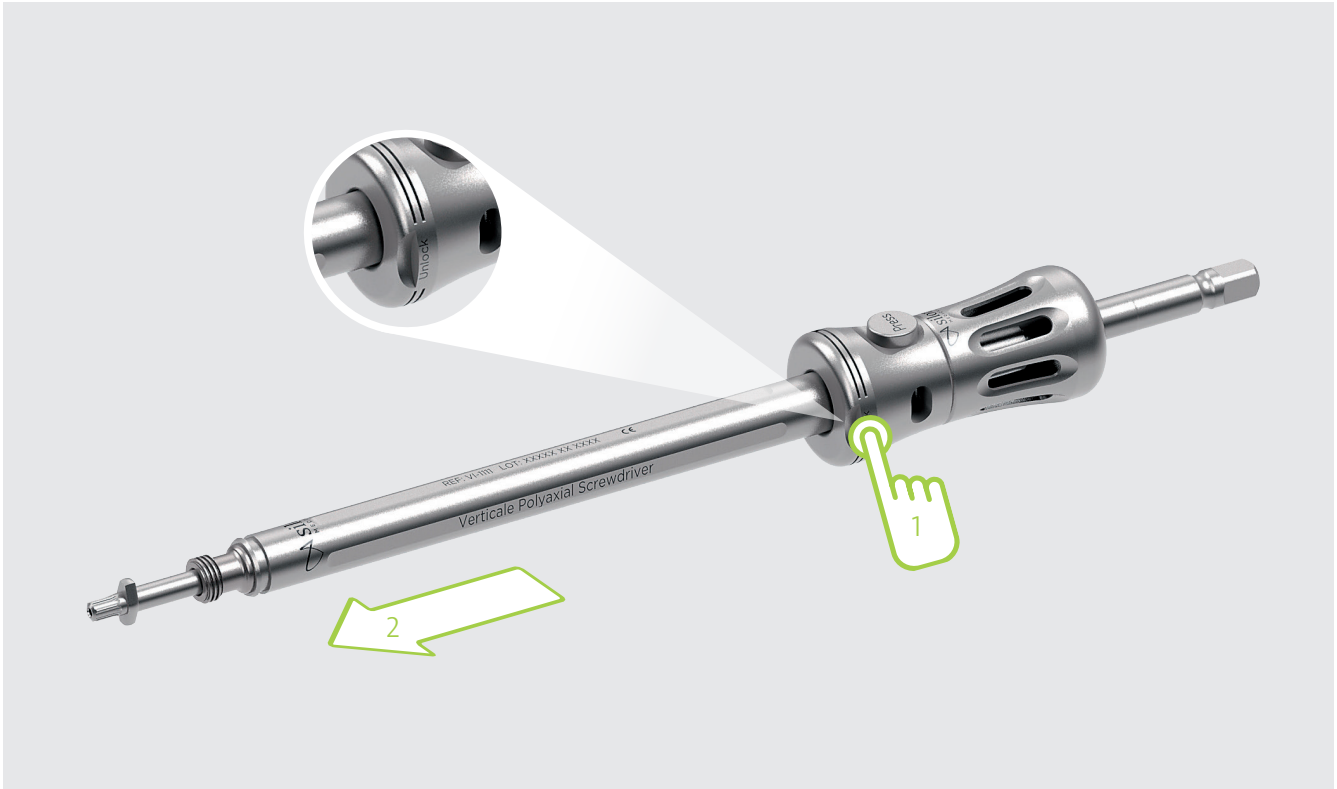


# VERTICALE®

VI-1110  
[ VI-1111 ]



D30003

D30000

D30005.b.YY  
24.02.2016

**Silony Medical Europe GmbH**

Bahnhofstraße 1  
28195 Bremen, Germany  
Tel +49 421 24 69 56 0  
Fax +49 421 24 69 56 55

**Silony Medical GmbH**

Leinfelder Straße 60  
70771 Leinfelden-Echterdingen, Germany  
Tel +49 711 78 25 25 0  
Fax +49 711 78 25 25 11

[www.silony-medical.com](http://www.silony-medical.com)

MADE IN GERMANY