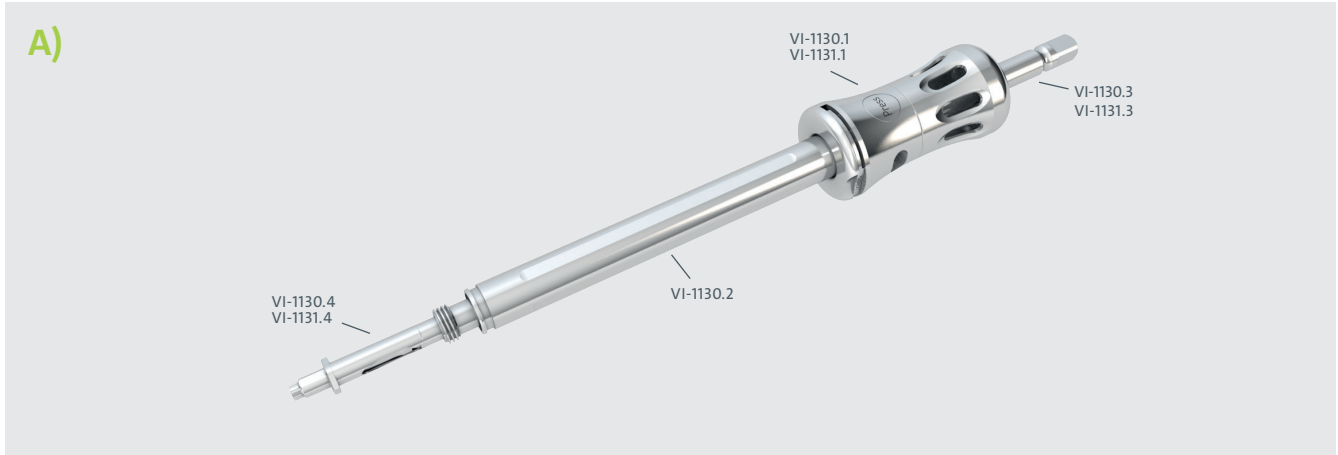
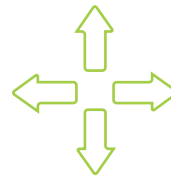


# VERTICALE®

VI-1130

[ VI-1130.1; VI-1130.2; VI-1130.3; VI-1130.4; VI-1131.1; VI-1131.3; VI-1131.4 ]



D30003

1/5

D30030.h.YY  
23.10.2020

D30000

**Silony Medical Europe GmbH**

An der Weide 27-29  
28195 Bremen, Germany  
Tel +49 421 24 69 56 0  
Fax +49 421 24 69 56 55

[www.silony-medical.com](http://www.silony-medical.com)

**Silony Medical GmbH**

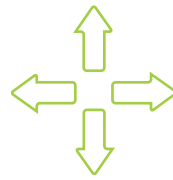
Leinfelder Straße 60  
70771 Leinfelden-Echterdingen, Germany  
Tel +49 711 78 25 25 0  
Fax +49 711 78 25 25 11

MADE IN GERMANY

# VERTICALE®

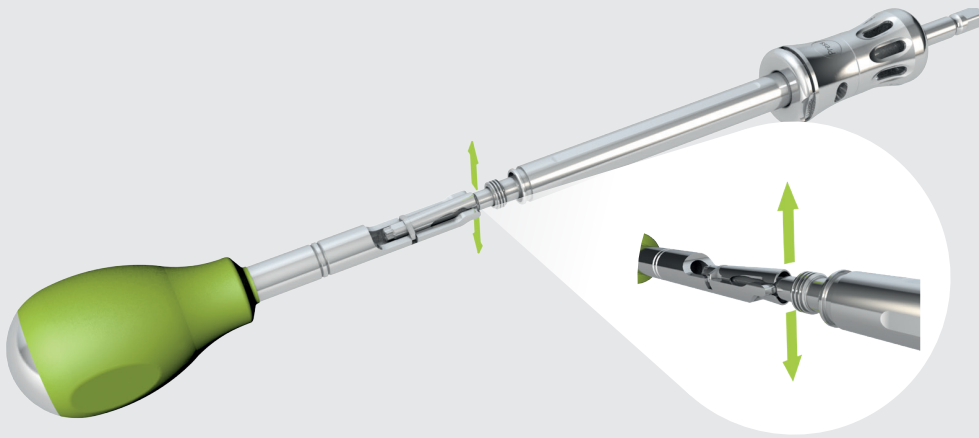
VI-1130

[ VI-1130.1; VI-1130.2; VI-1130.3; VI-1130.4; VI-1131.1; VI-1131.3; VI-1131.4 ]

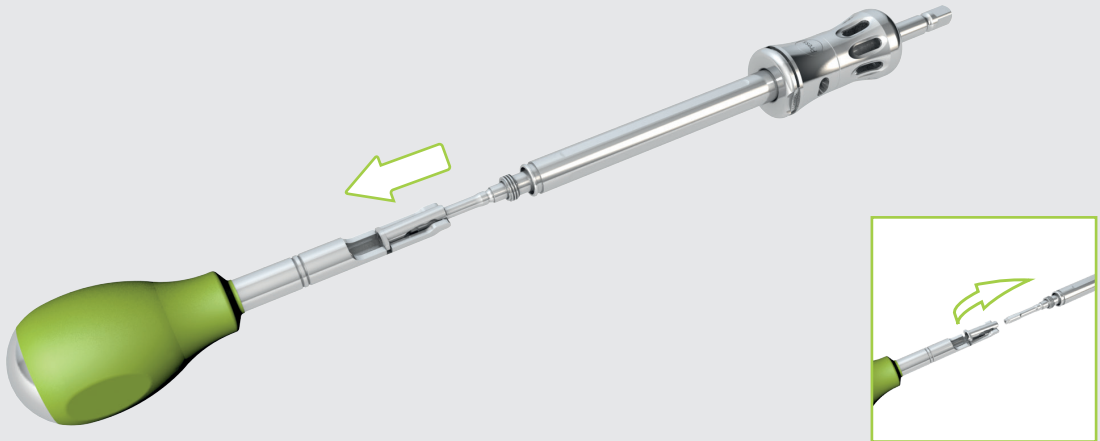


**silony**  
MEDICAL

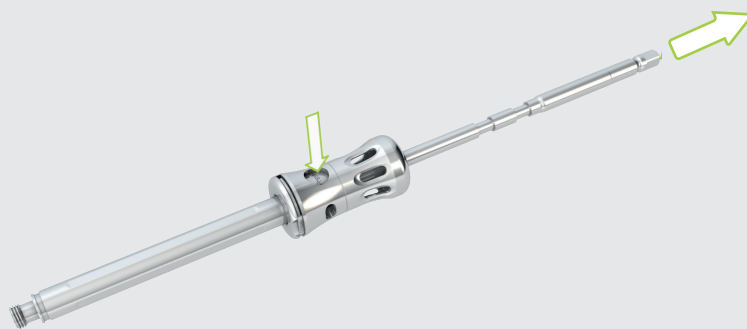
D)



E)



F)



 D30003

2/5

D30030.h.YY  
23.10.2020

 D30000

 **Silony Medical Europe GmbH**

An der Weide 27-29  
28195 Bremen, Germany  
Tel +49 421 24 69 56 0  
Fax +49 421 24 69 56 55

 **Silony Medical GmbH**

Leinfelder Straße 60  
70771 Leinfelden-Echterdingen, Germany  
Tel +49 711 78 25 25 0  
Fax +49 711 78 25 25 11

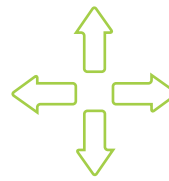
[www.silony-medical.com](http://www.silony-medical.com)

MADE IN GERMANY

# VERTICALE®

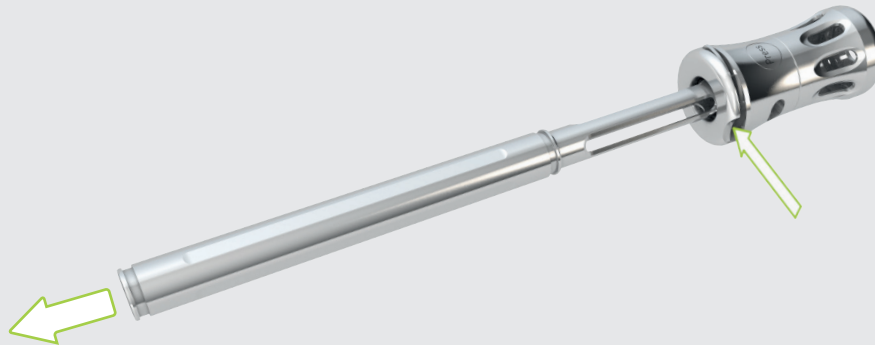
VI-1130

[ VI-1130.1; VI-1130.2; VI-1130.3; VI-1130.4; VI-1131.1; VI-1131.3; VI-1131.4 ]



**silony**  
MEDICAL

G)



H)



 D30003

3/5

D30030.h.YY  
23.10.2020

 D30000

 **Silony Medical Europe GmbH**

An der Weide 27-29  
28195 Bremen, Germany  
Tel +49 421 24 69 56 0  
Fax +49 421 24 69 56 55

[www.silony-medical.com](http://www.silony-medical.com)

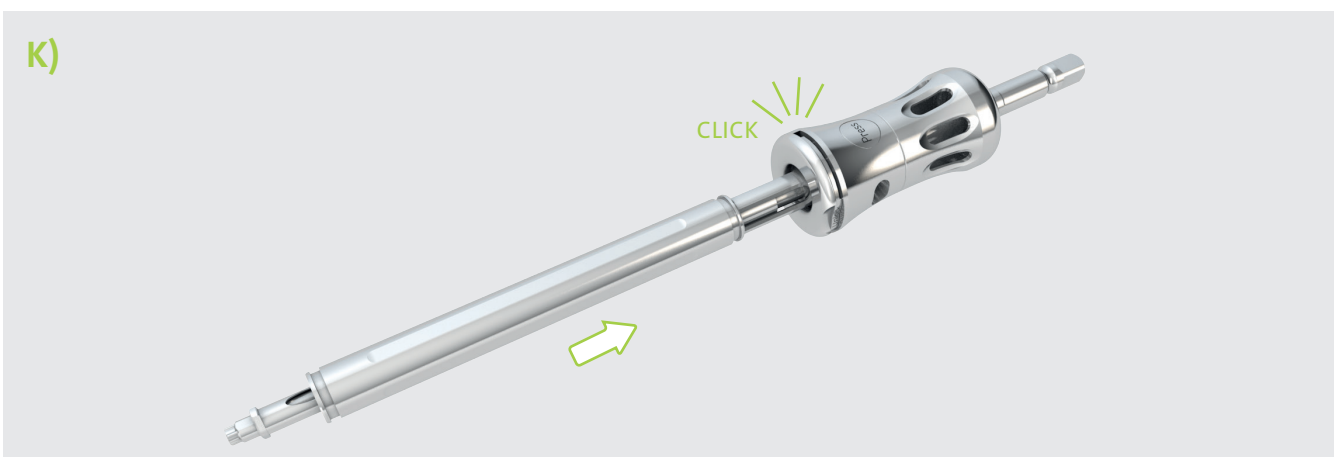
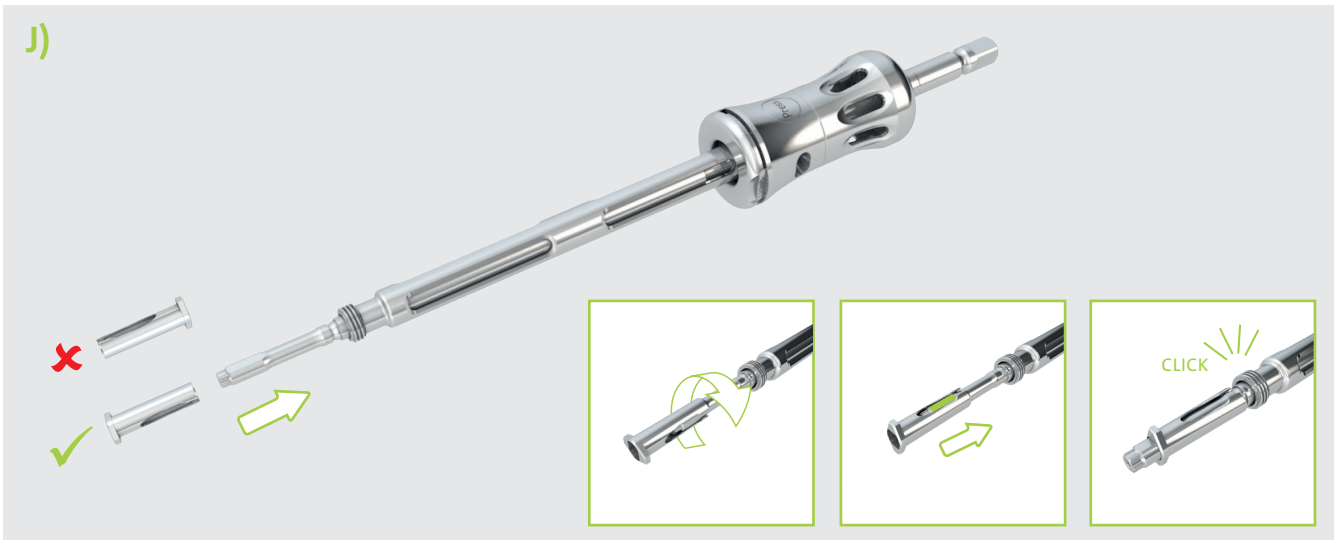
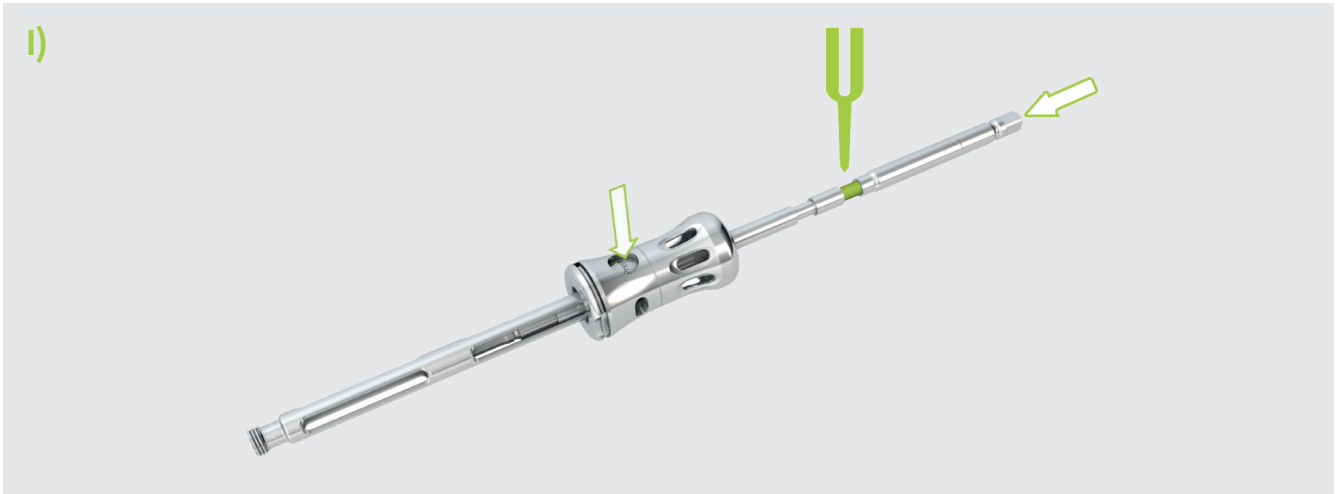
 **Silony Medical GmbH**

Leinfelder Straße 60  
70771 Leinfelden-Echterdingen, Germany  
Tel +49 711 78 25 25 0  
Fax +49 711 78 25 25 11

MADE IN GERMANY

VI-1130

[ VI-1130.1; VI-1130.2; VI-1130.3; VI-1130.4; VI-1131.1; VI-1131.3; VI-1131.4 ]



 D30003

4/5

D30030.h.YY  
23.10.2020

 D30000

 **Silony Medical Europe GmbH**

An der Weide 27-29  
28195 Bremen, Germany  
Tel +49 421 24 69 56 0  
Fax +49 421 24 69 56 55

[www.silony-medical.com](http://www.silony-medical.com)

 **Silony Medical GmbH**

Leinfelder Straße 60  
70771 Leinfelden-Echterdingen, Germany  
Tel +49 711 78 25 25 0  
Fax +49 711 78 25 25 11

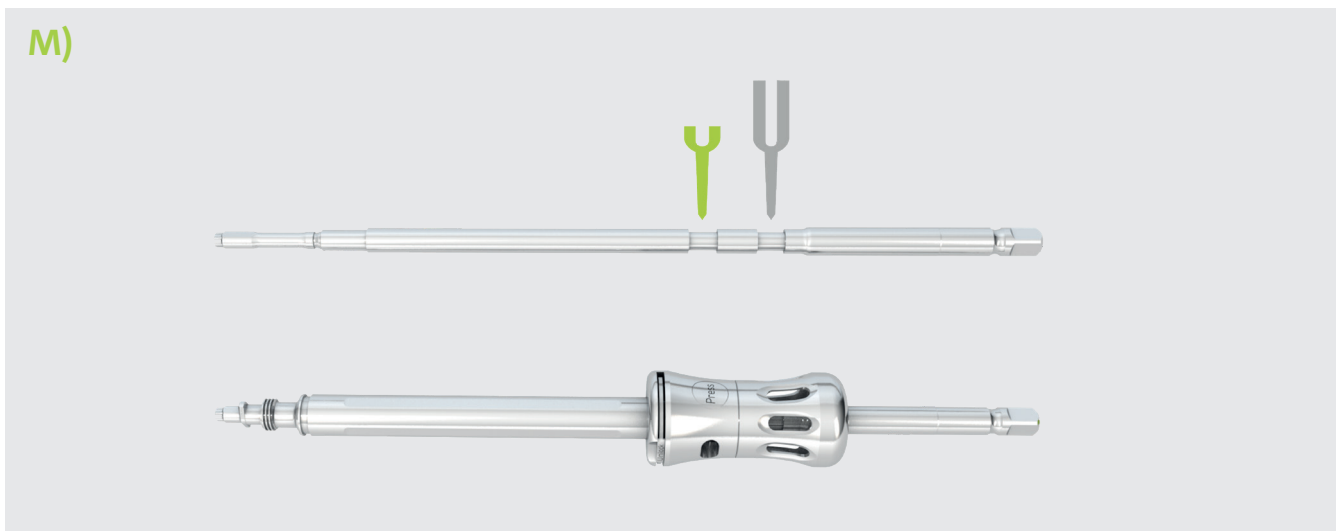
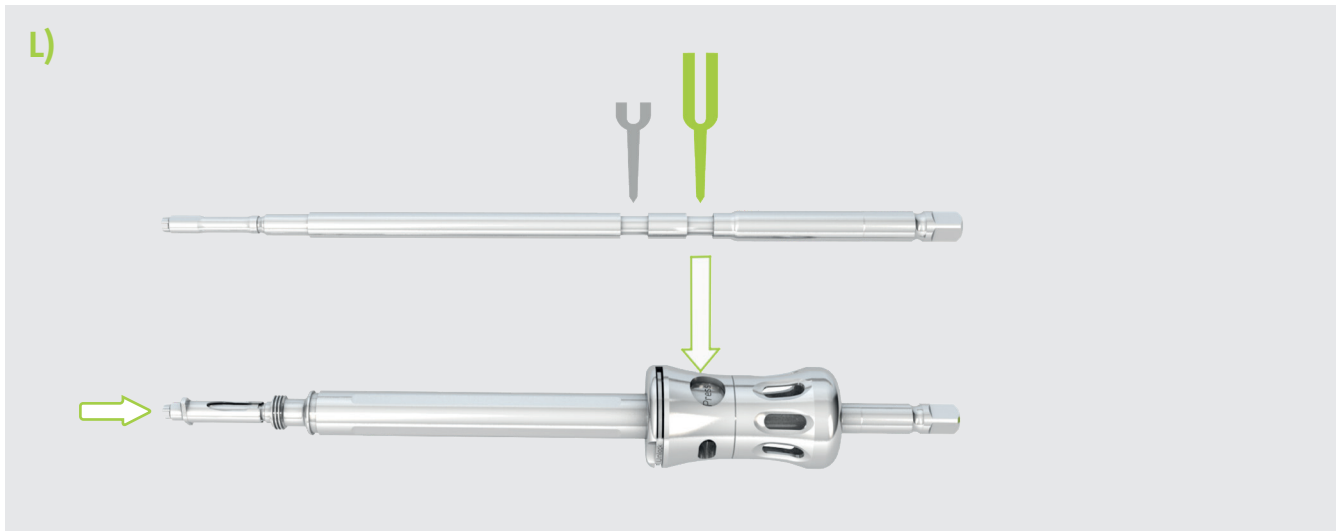
MADE IN GERMANY

# VERTICALE®



VI-1130

[ VI-1130.1; VI-1130.2; VI-1130.3; VI-1130.4; VI-1131.1; VI-1131.3; VI-1131.4 ]



 D30003

5/5

D30030.h.YY  
23.10.2020

 D30000

 **Silony Medical Europe GmbH**

An der Weide 27-29  
28195 Bremen, Germany  
Tel +49 421 24 69 56 0  
Fax +49 421 24 69 56 55

[www.silony-medical.com](http://www.silony-medical.com)

 **Silony Medical GmbH**

Leinfelder Straße 60  
70771 Leinfelden-Echterdingen, Germany  
Tel +49 711 78 25 25 0  
Fax +49 711 78 25 25 11

MADE IN GERMANY