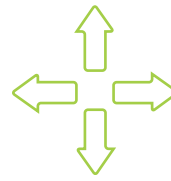


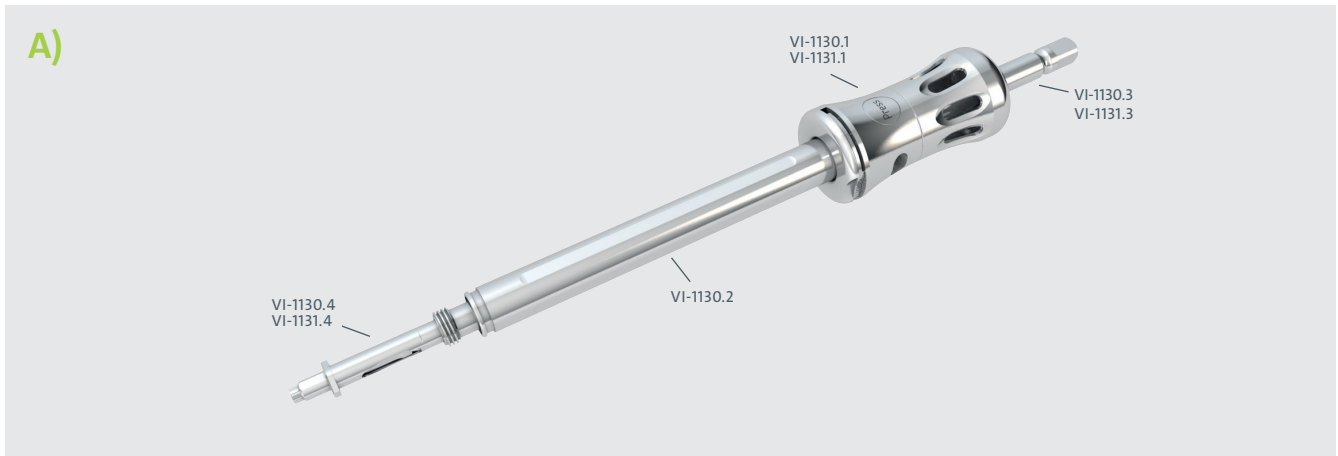
VERTICALE®

VI-1130

[VI-1130.1; VI-1130.2; VI-1130.3; VI-1130.4; VI-1131.1; VI-1131.3; VI-1131.4]



silony
MEDICAL



D30003

1/5

D30030.i.VY
07.04.2022

D30000

Silony Medical GmbH

Leinfelder Straße 60
70771 Leinfelden-Echterdingen
Tel +49 711 78 25 25 0
Fax +49 711 78 25 25 11

www.silony-medical.com

elabeling.silony-medical.com/contact

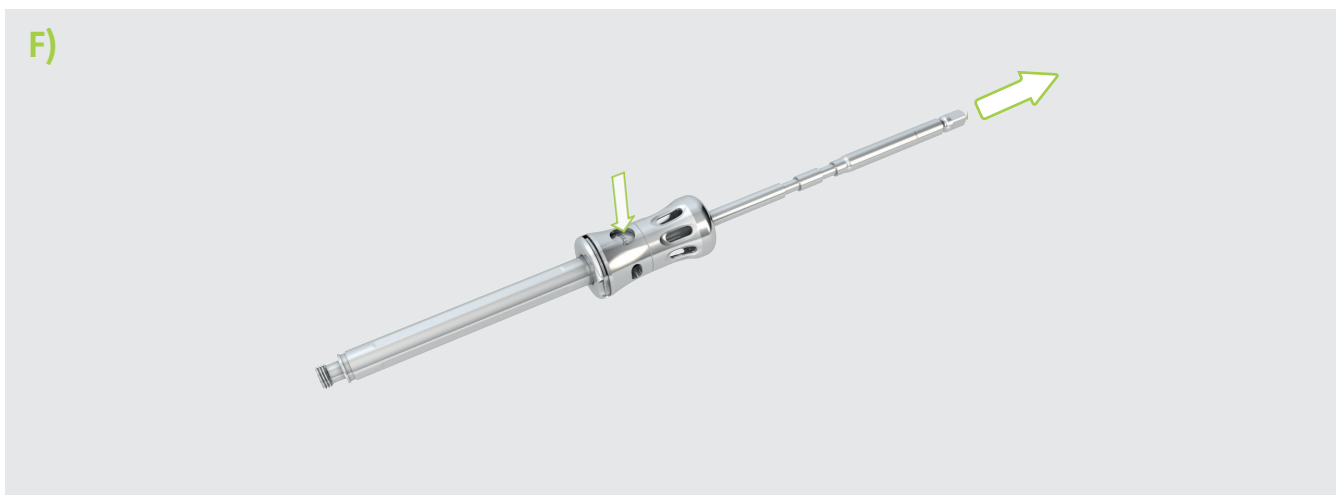
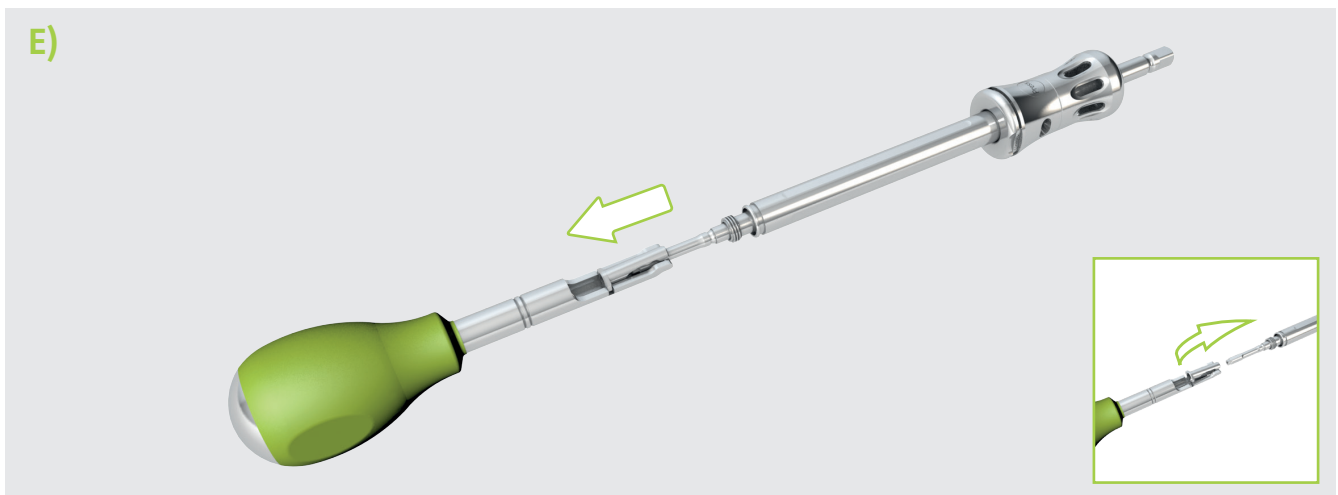
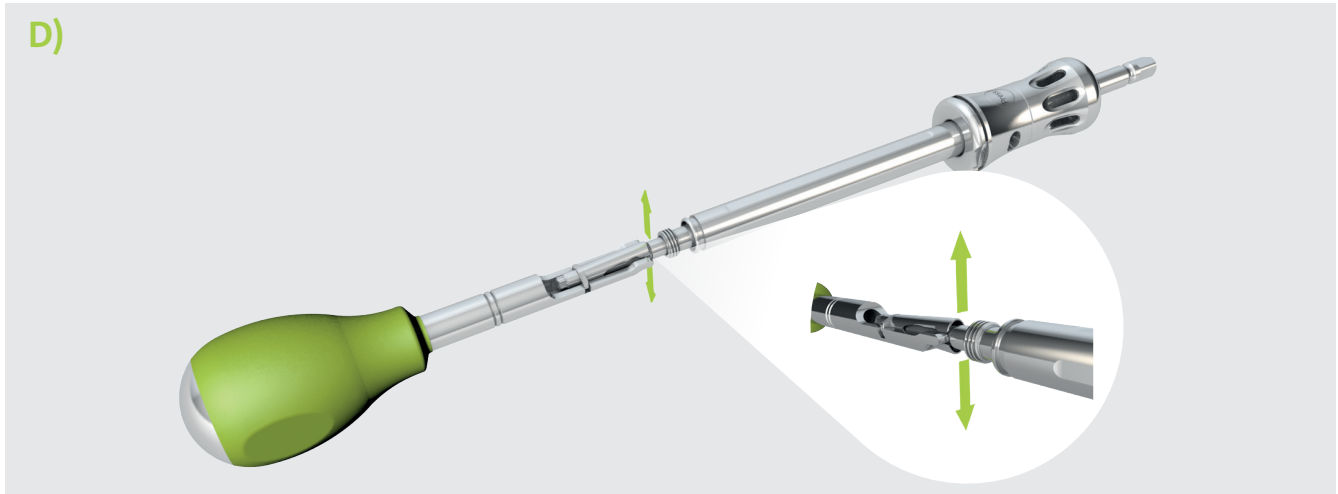
CE

MADE IN GERMANY

VERTICALE®

VI-1130

[VI-1130.1; VI-1130.2; VI-1130.3; VI-1130.4; VI-1131.1; VI-1131.3; VI-1131.4]



 D30003

2/5

D30030.i.YY
07.04.2022

 D30000

 **Silony Medical GmbH**
Leinfelder Straße 60
70771 Leinfelden-Echterdingen
Tel +49 711 78 25 25 0
Fax +49 711 78 25 25 11
www.silony-medical.com

 elabeling.silony-medical.com/contact

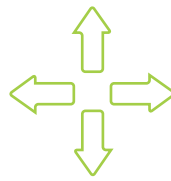
CE

MADE IN GERMANY

VERTICALE®

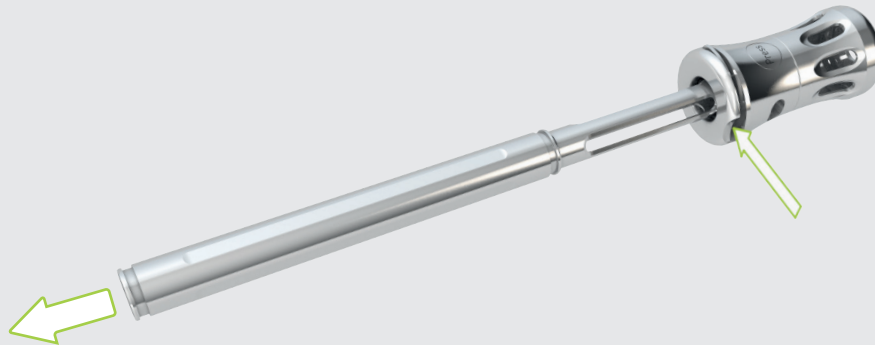
VI-1130

[VI-1130.1; VI-1130.2; VI-1130.3; VI-1130.4; VI-1131.1; VI-1131.3; VI-1131.4]



silony
MEDICAL

G)



H)



 D30003

3/5

D30030.i.YY
07.04.2022

 D30000

 **Silony Medical GmbH**

Leinfelder Straße 60
70771 Leinfelden-Echterdingen
Tel +49 711 78 25 25 0
Fax +49 711 78 25 25 11

www.silony-medical.com

 elabeling.silony-medical.com/contact

CE

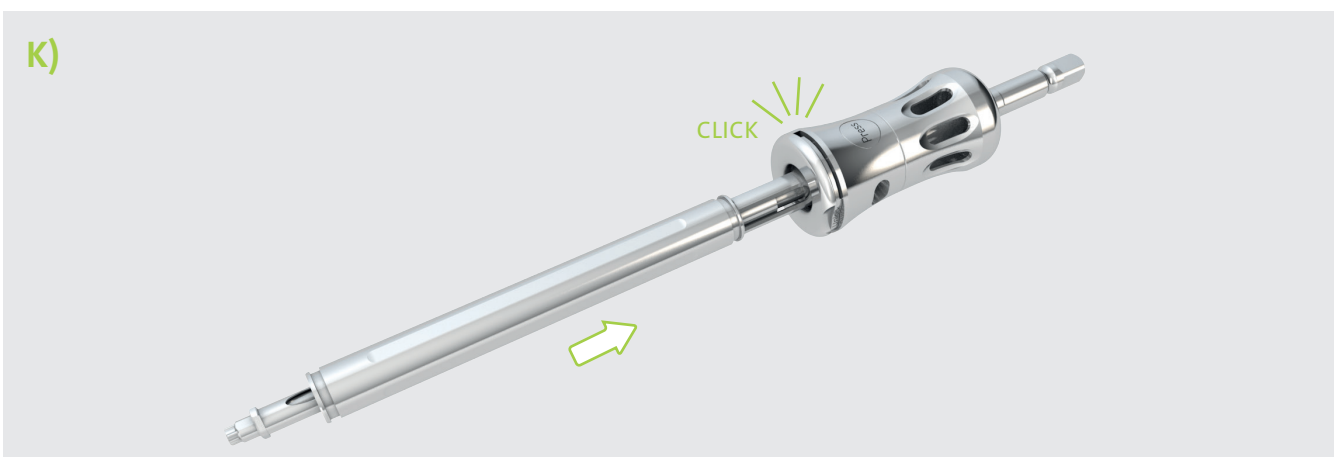
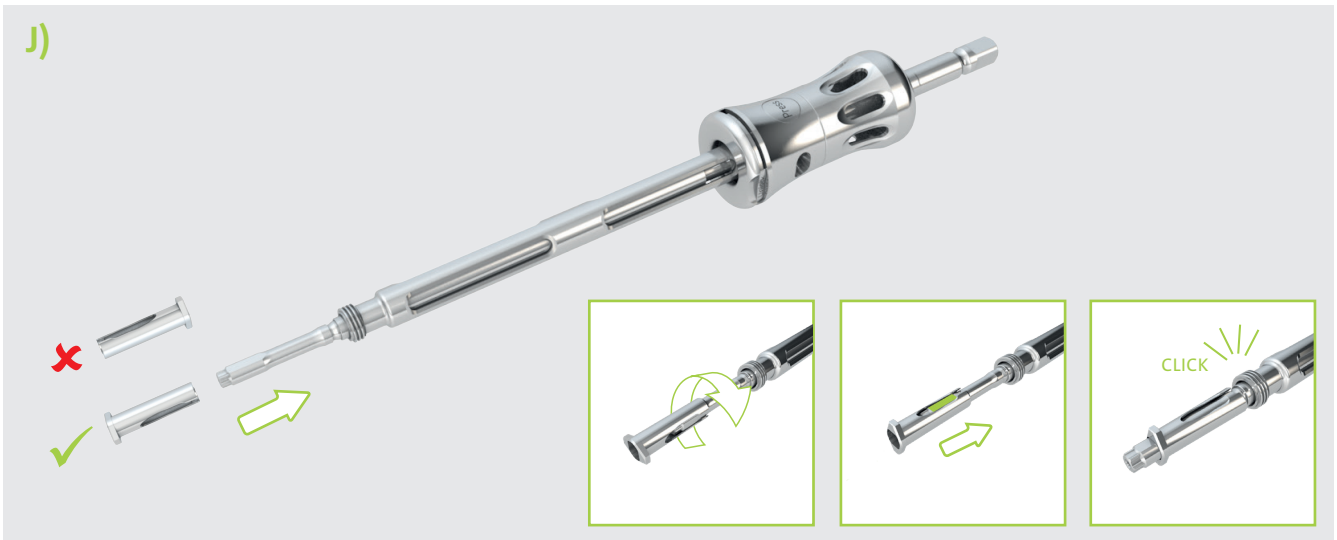
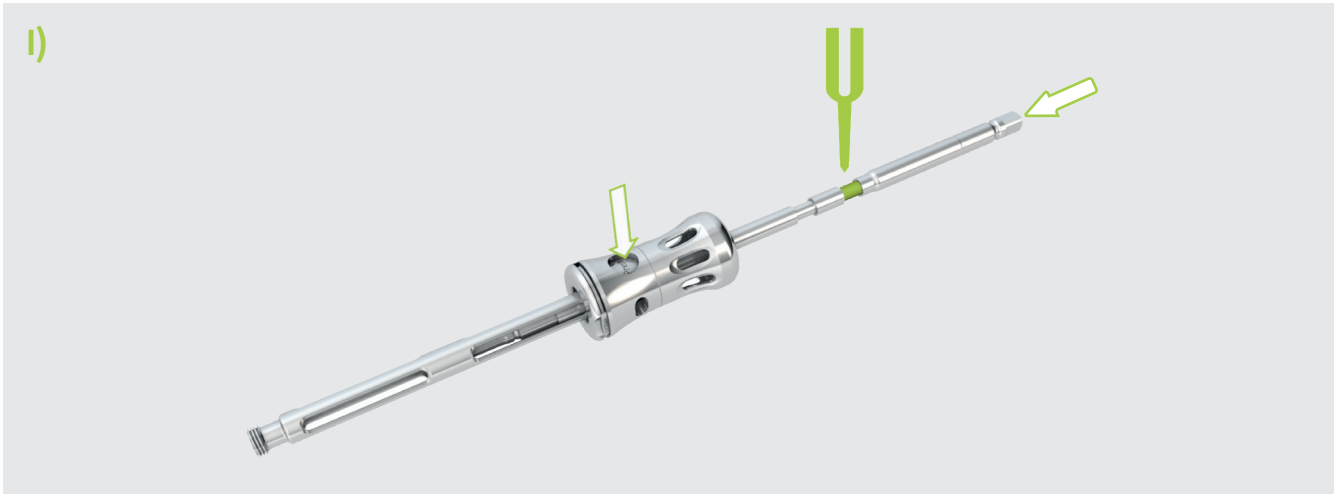
MADE IN GERMANY

VERTICALE®



VI-1130

[VI-1130.1; VI-1130.2; VI-1130.3; VI-1130.4; VI-1131.1; VI-1131.3; VI-1131.4]



D30003

4/5

D30030.i.YY
07.04.2022

D30000

Silony Medical GmbH
Leinfelder Straße 60
70771 Leinfelden-Echterdingen
Tel +49 711 78 25 25 0
Fax +49 711 78 25 25 11
www.silony-medical.com

elabeling.silony-medical.com/contact

CE

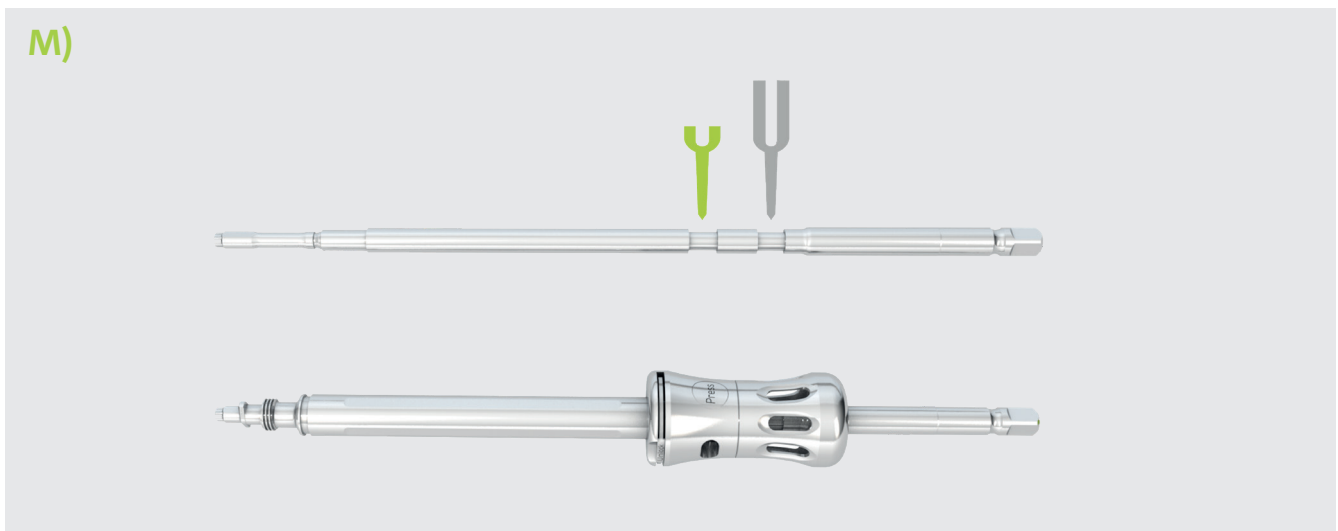
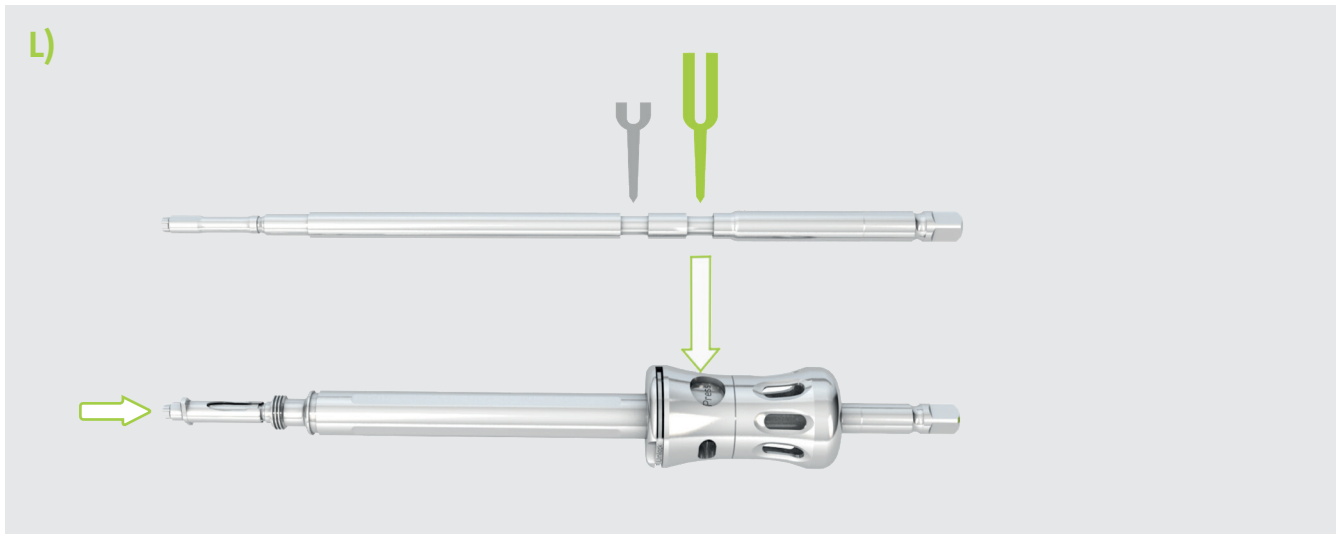
MADE IN GERMANY

VERTICALE®



VI-1130

[VI-1130.1; VI-1130.2; VI-1130.3; VI-1130.4; VI-1131.1; VI-1131.3; VI-1131.4]



D30003

5/5

D30030.i.YY
07.04.2022

D30000

Silony Medical GmbH
Leinfelder Straße 60
70771 Leinfelden-Echterdingen
Tel +49 711 78 25 25 0
Fax +49 711 78 25 25 11
www.silony-medical.com

elabeling.silony-medical.com/contact

CE

MADE IN GERMANY