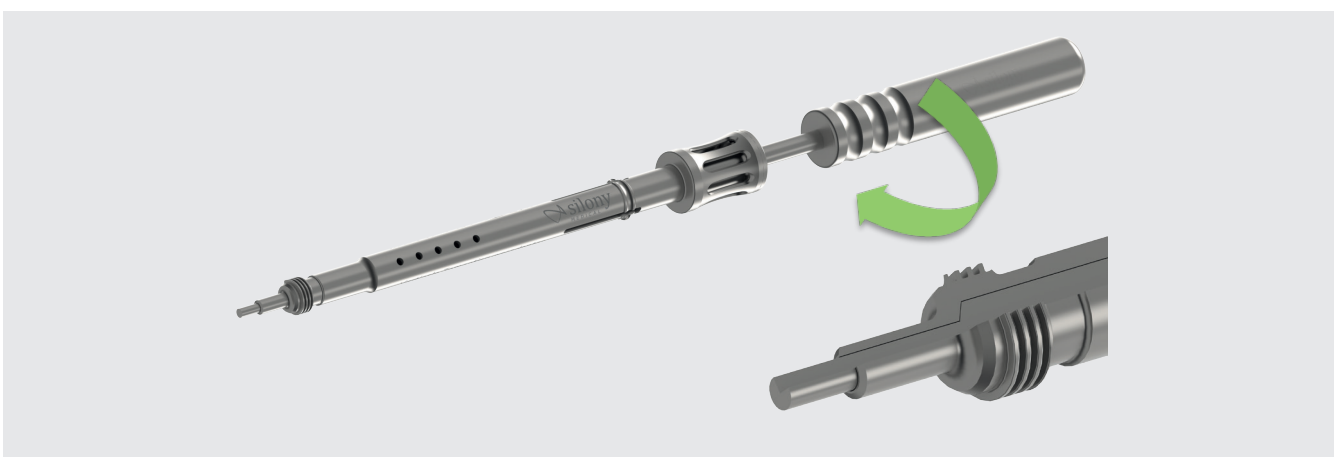
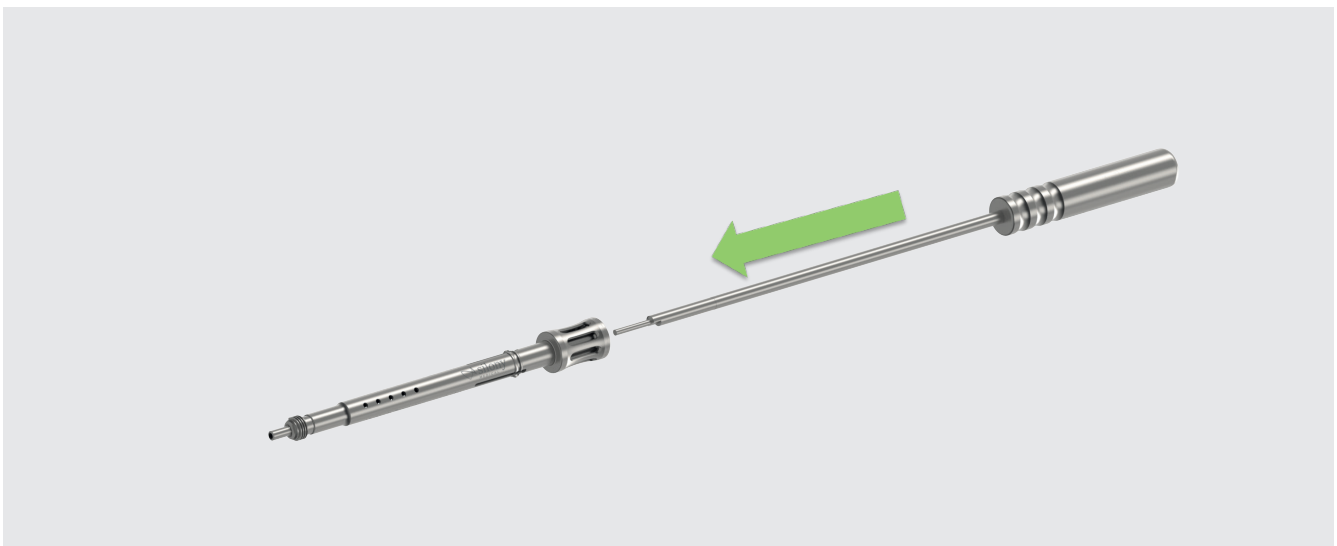
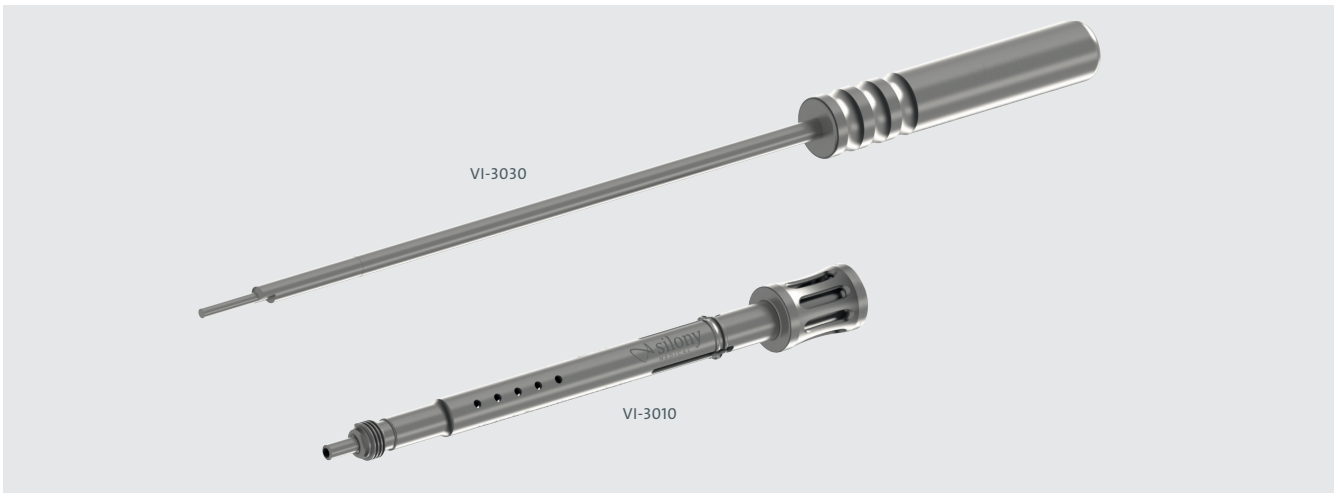



VERTICALE®

VI-3030 | VI-3010



 D30003

 D30000; D30015

D30037.d.YY
26.02.2016

 **Silony Medical Europe GmbH**

Bahnhofstraße 1
28195 Bremen, Germany
Tel +49 421 24 69 56 0
Fax +49 421 24 69 56 55

www.silony-medical.com

 **Silony Medical GmbH**

Leinfelder Straße 60
70771 Leinfelden-Echterdingen, Germany
Tel +49 711 78 25 25 0
Fax +49 711 78 25 25 11

MADE IN GERMANY