

VERTICALE[®] MIS

VI-4050; VI-4440

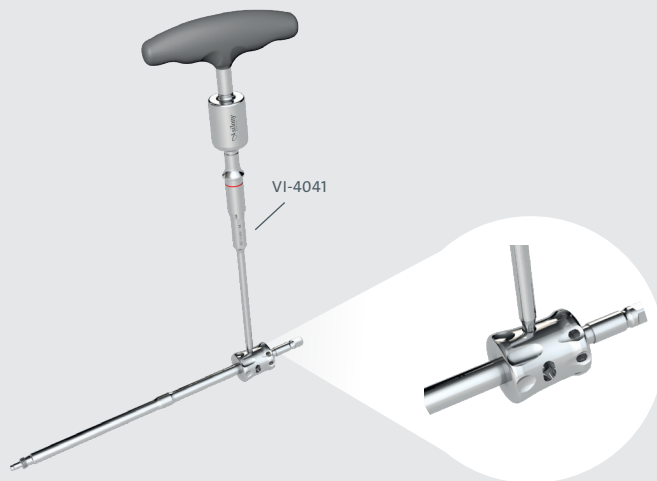
[VI-4050.1; VI-4050.2; VI-4440.1; VI-4041]



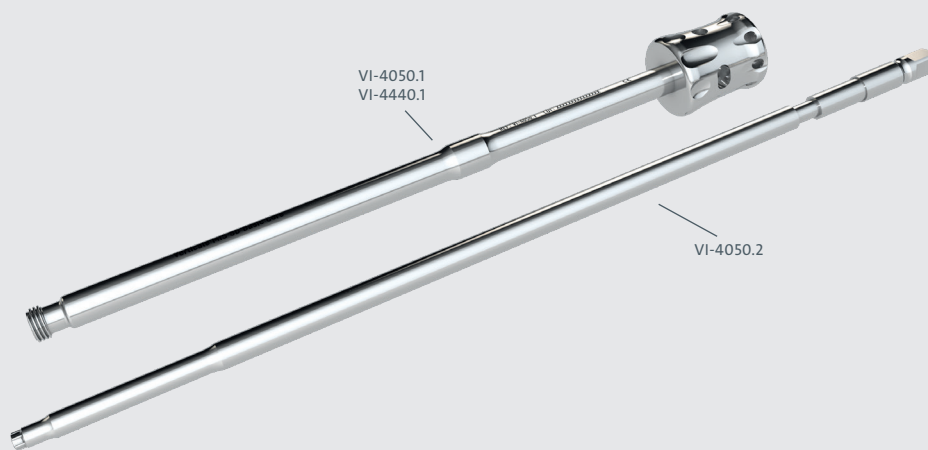
A)



B)



C)



D30003

1/2

D30101.c.YY
17.04.2020

D30049
D30214

Silony Medical Europe GmbH

An der Weide 27-29
28195 Bremen, Germany
Tel +49 421 24 69 56 0
Fax +49 421 24 69 56 55

Silony Medical GmbH

Leinfelder Straße 60
70771 Leinfelden-Echterdingen, Germany
Tel +49 711 78 25 25 0
Fax +49 711 78 25 25 11

www.silony-medical.com

MADE IN GERMANY

VERTICALE[®] MIS

VI-4050; VI-4440

[VI-4050.1; VI-4050.2; VI-4440.1; VI-4041]



D)



E)



 D30003

2/2

D30101.c.YY
17.04.2020

 D30049
D30214

 **Silony Medical Europe GmbH**

An der Weide 27-29
28195 Bremen, Germany
Tel +49 421 24 69 56 0
Fax +49 421 24 69 56 55

www.silony-medical.com

 **Silony Medical GmbH**

Leinfelder Straße 60
70771 Leinfelden-Echterdingen, Germany
Tel +49 711 78 25 25 0
Fax +49 711 78 25 25 11

MADE IN GERMANY