

# VERTICALE<sup>®</sup> MIS

VI-4050; VI-4440

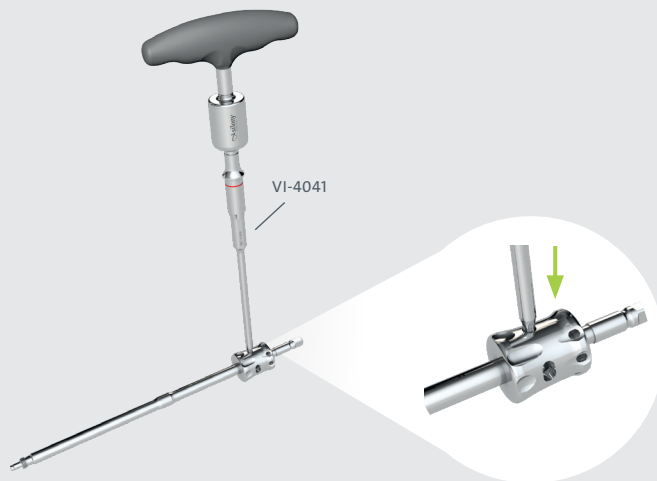
[ VI-4050.1; VI-4050.2; VI-4440.1; VI-4041 ]



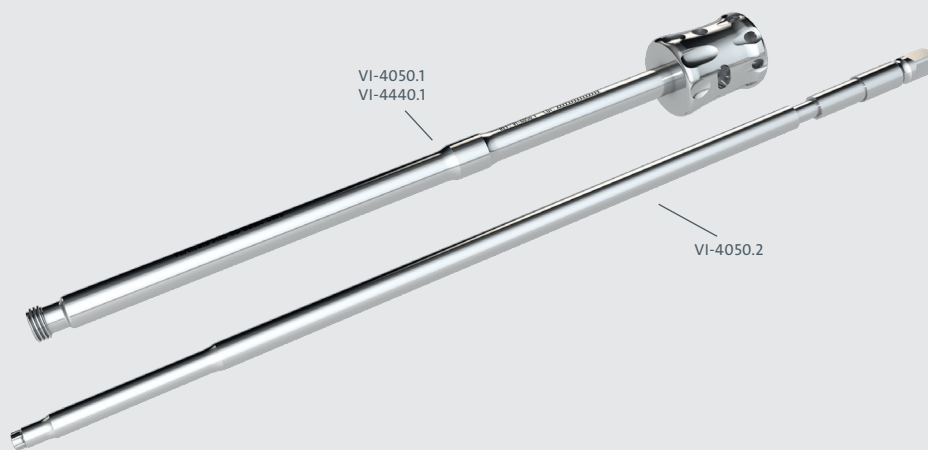
A)



B)



C)



D30003

1/2

D30101.d.YY  
04.07.2022

D30049  
D30214

Silony Medical GmbH  
Leinfelder Straße 60  
70771 Leinfelden-Echterdingen  
Tel +49 711 78 25 25 0  
Fax +49 711 78 25 25 11  
[www.silony-medical.com](http://www.silony-medical.com)

[elabeling.silony-medical.com/contact](mailto:elabeling.silony-medical.com/contact)

CE

MADE IN GERMANY

# VERTICALE<sup>®</sup> MIS

VI-4050; VI-4440

[ VI-4050.1; VI-4050.2; VI-4440.1; VI-4041 ]



D)



E)



D30003

2/2

D30101.d.YY  
04.07.2022

D30049  
D30214

**Silony Medical GmbH**  
Leinfelder Straße 60  
70771 Leinfelden-Echterdingen  
Tel +49 711 78 25 25 0  
Fax +49 711 78 25 25 11  
[www.silony-medical.com](http://www.silony-medical.com)

[elabeling.silony-medical.com/contact](mailto:elabeling.silony-medical.com/contact)

CE

MADE IN GERMANY