

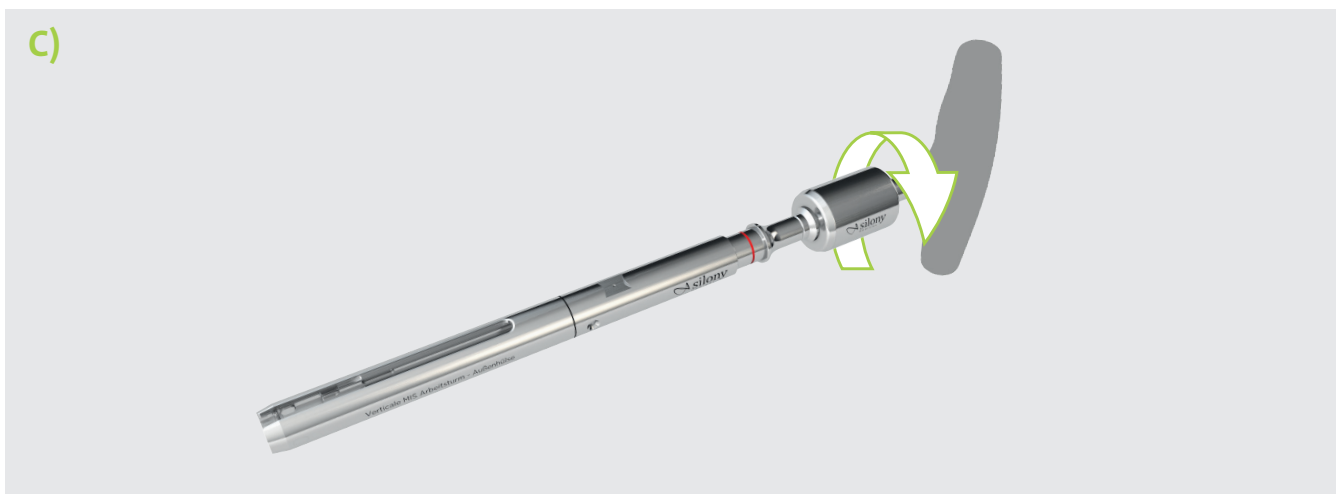
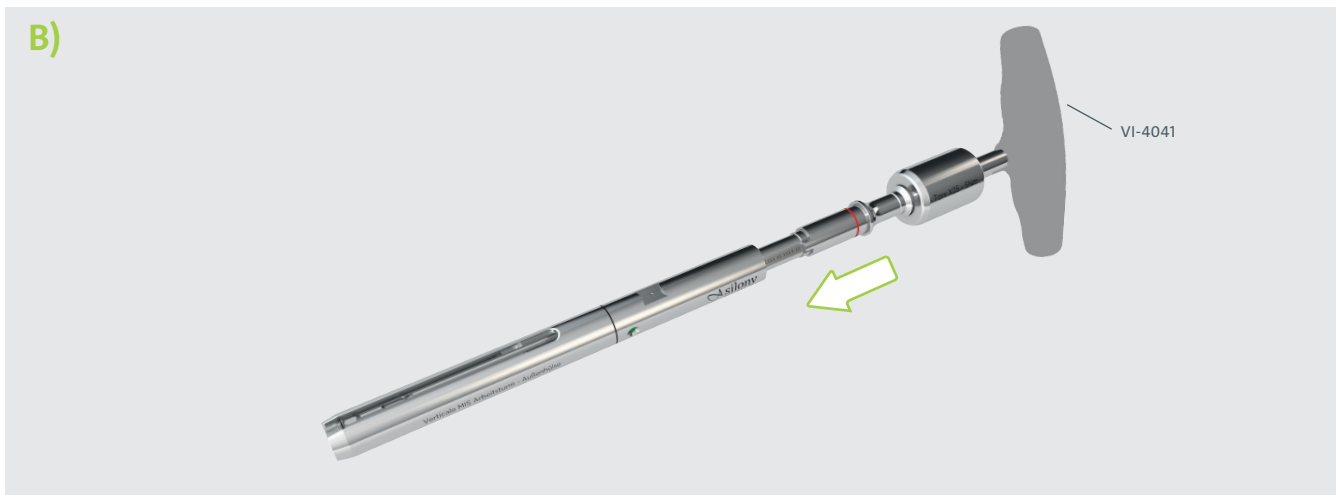
VERTICALE[®] MIS

VI-4040

[VI-4040.1; VI-4040.2; VI-4041; VI-4180; VI-4181.1]



silony[®]
MEDICAL



D30003

1/4

D30105.c.YY
13.04.2022

D30049

Silony Medical GmbH

Leinfelder Straße 60
70771 Leinfelden-Echterdingen
Tel +49 711 78 25 25 0
Fax +49 711 78 25 25 11

www.silony-medical.com

elabeling.silony-medical.com/contact

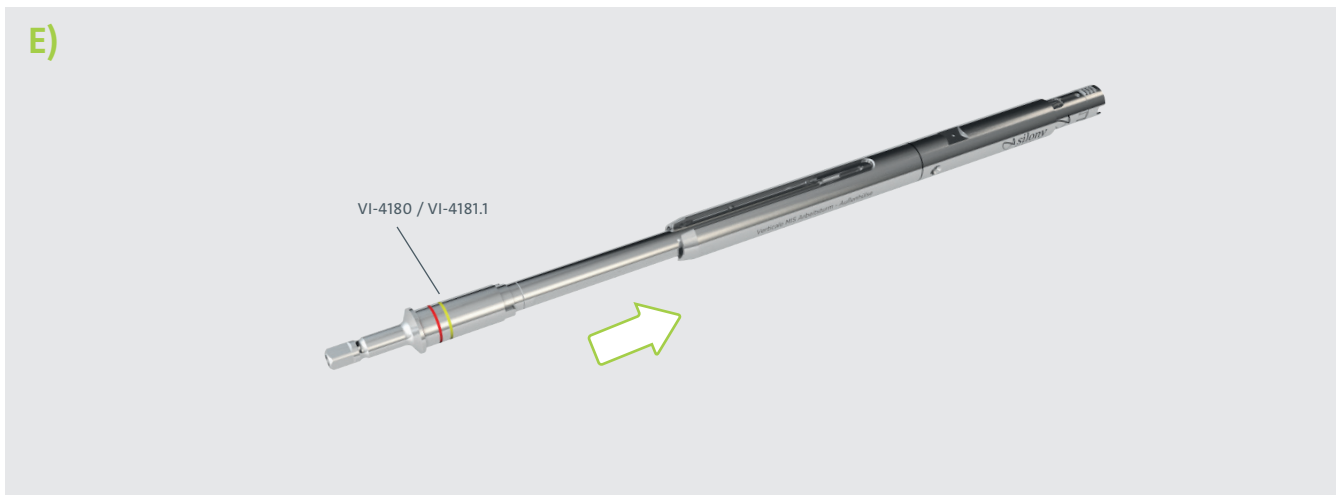
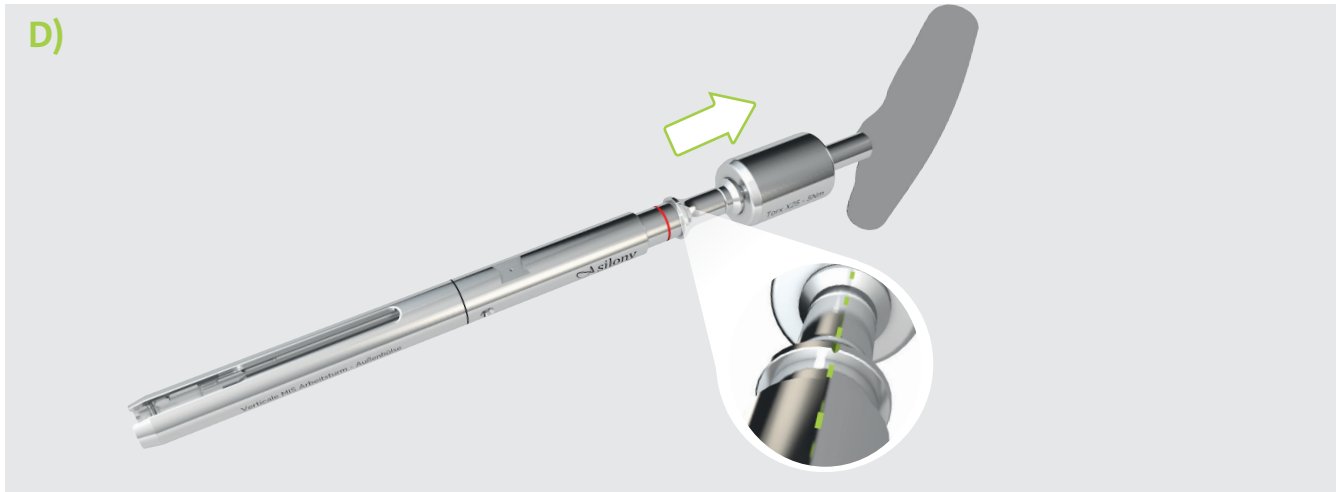
0483

MADE IN GERMANY

VERTICALE[®] MIS

VI-4040

[VI-4040.1; VI-4040.2; VI-4041; VI-4180; VI-4181.1]



D30003

2/4

D30105.c.YY
13.04.2022

D30049

Silony Medical GmbH
Leinfelder Straße 60
70771 Leinfelden-Echterdingen
Tel +49 711 78 25 25 0
Fax +49 711 78 25 25 11
www.silony-medical.com

elabeling.silony-medical.com/contact

0483

MADE IN GERMANY

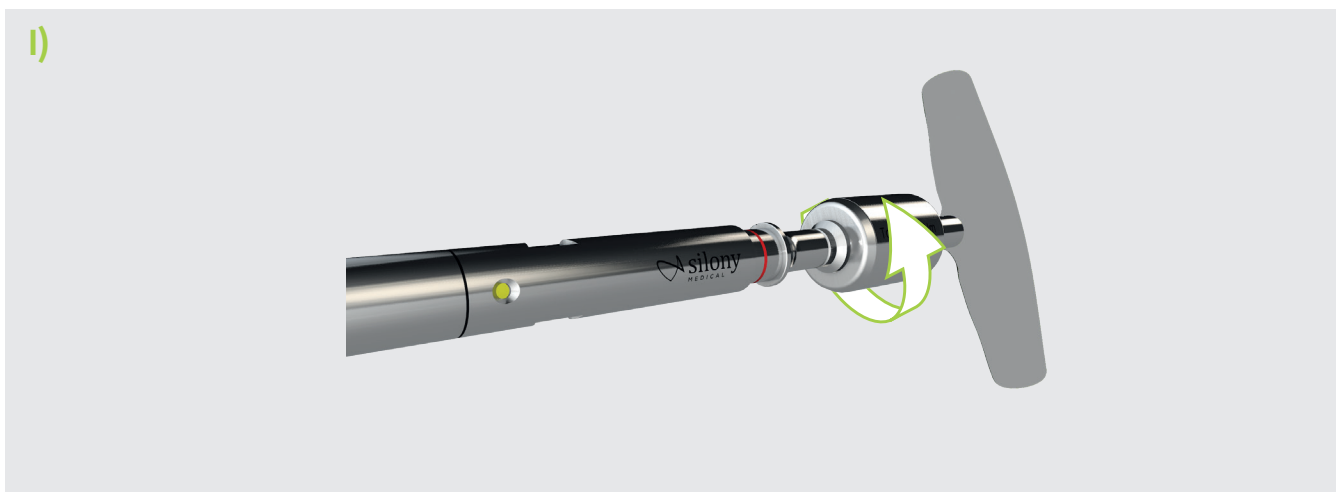
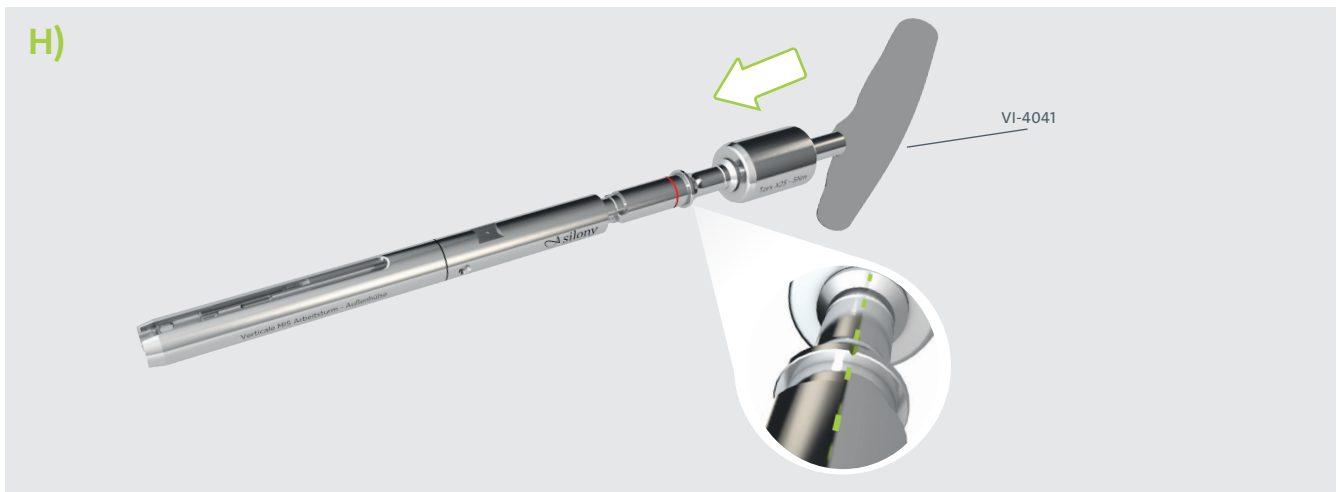
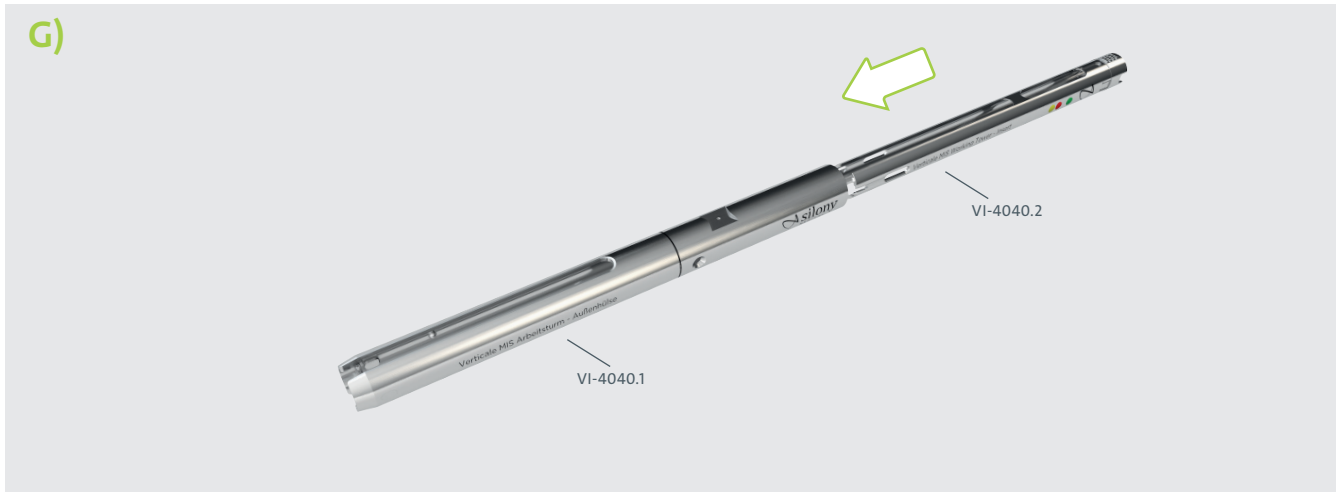
VERTICALE[®] MIS

VI-4040

[VI-4040.1; VI-4040.2; VI-4041; VI-4180; VI-4181.1]



silony[®]
MEDICAL



D30003

3/4

D30105.c.YY
13.04.2022

D30049

Silony Medical GmbH

Leinfelder Straße 60
70771 Leinfelden-Echterdingen
Tel +49 711 78 25 25 0
Fax +49 711 78 25 25 11

www.silony-medical.com

elabeling.silony-medical.com/contact

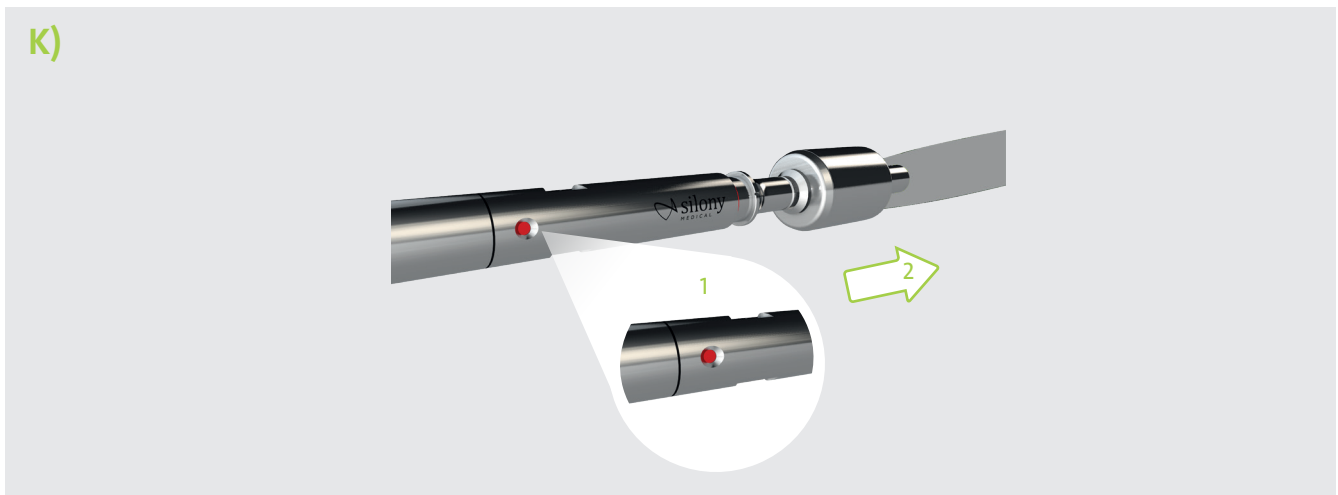
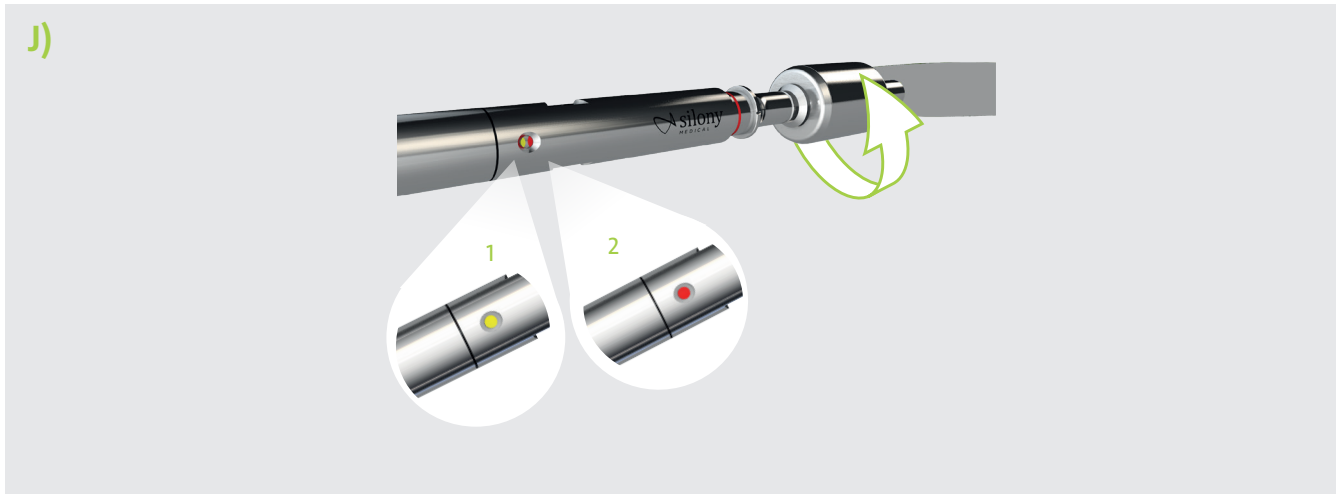
0483

MADE IN GERMANY

VERTICALE[®] MIS

VI-4040

[VI-4040.1; VI-4040.2; VI-4041; VI-4180; VI-4181.1]



D30003

4/4

D30105.c.YY
13.04.2022

D30049

Silony Medical GmbH
Leinfelder Straße 60
70771 Leinfelden-Echterdingen
Tel +49 711 78 25 25 0
Fax +49 711 78 25 25 11
www.silony-medical.com

elabeling.silony-medical.com/contact

CE 0483

MADE IN GERMANY