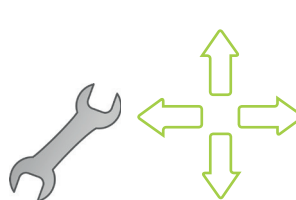
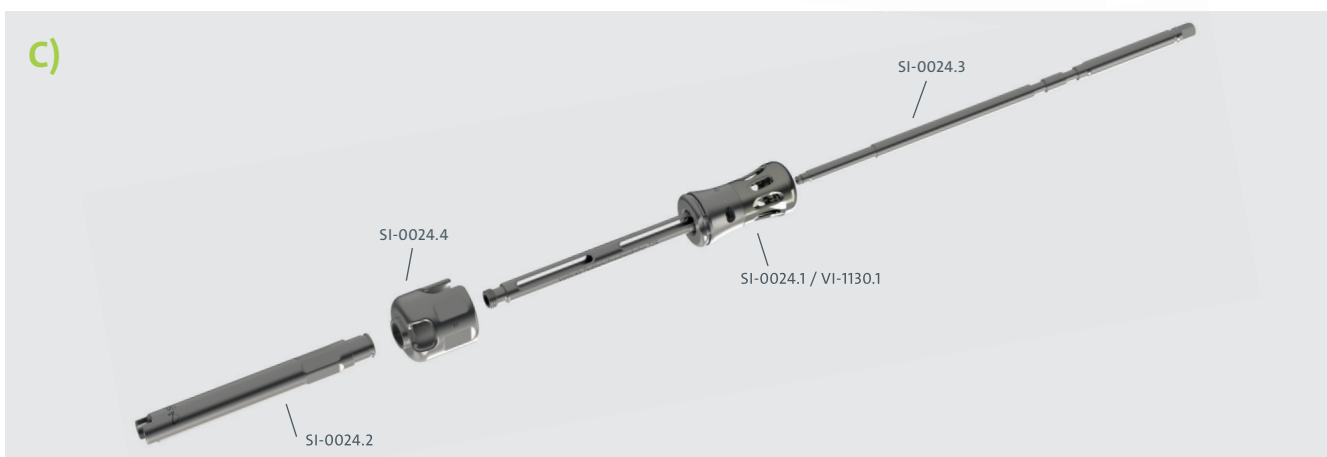
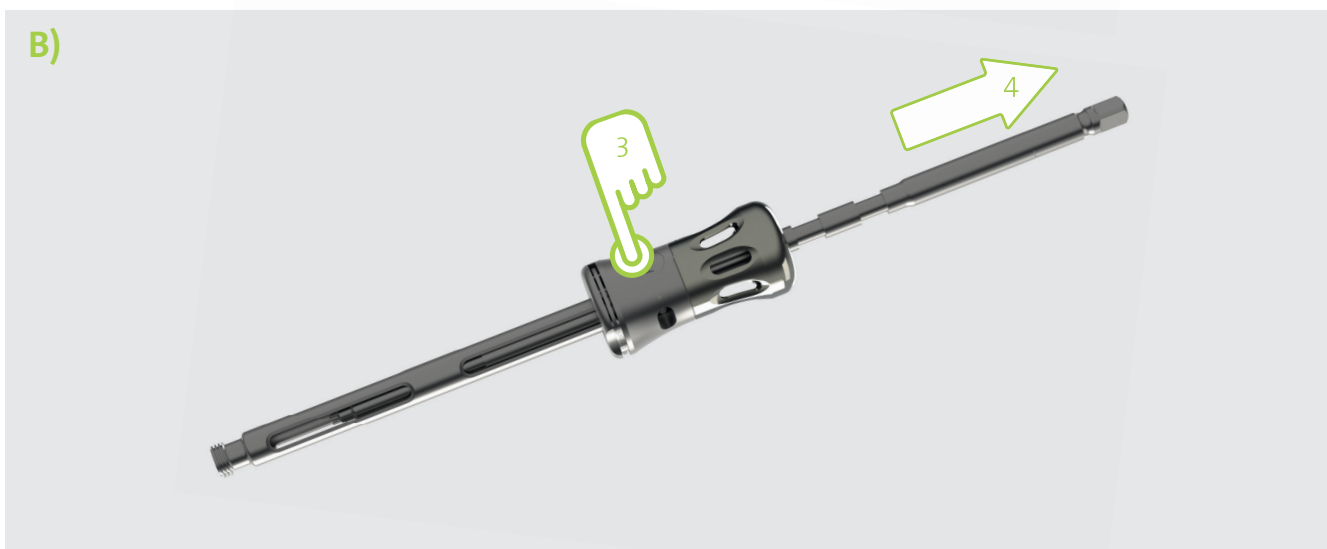
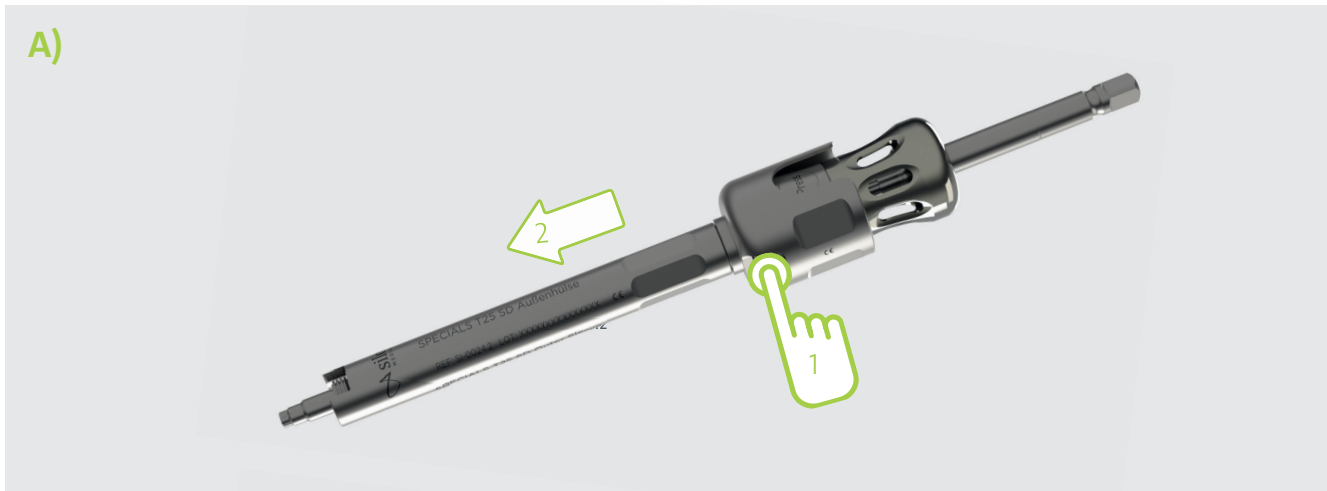


SI-0024

[ SI-0024.1; SI-0024.2; SI-0024.3; SI-0024.4  
VI-1130.1 ]



**specials**  
TEAM



D30003

1/2

D30128.b.YY  
24.04.2019

D30000

**Silony Medical Europe GmbH**

Bahnhofstraße 1  
28195 Bremen, Germany  
Tel +49 421 24 69 56 0  
Fax +49 421 24 69 56 55

[www.silony-medical.com](http://www.silony-medical.com)

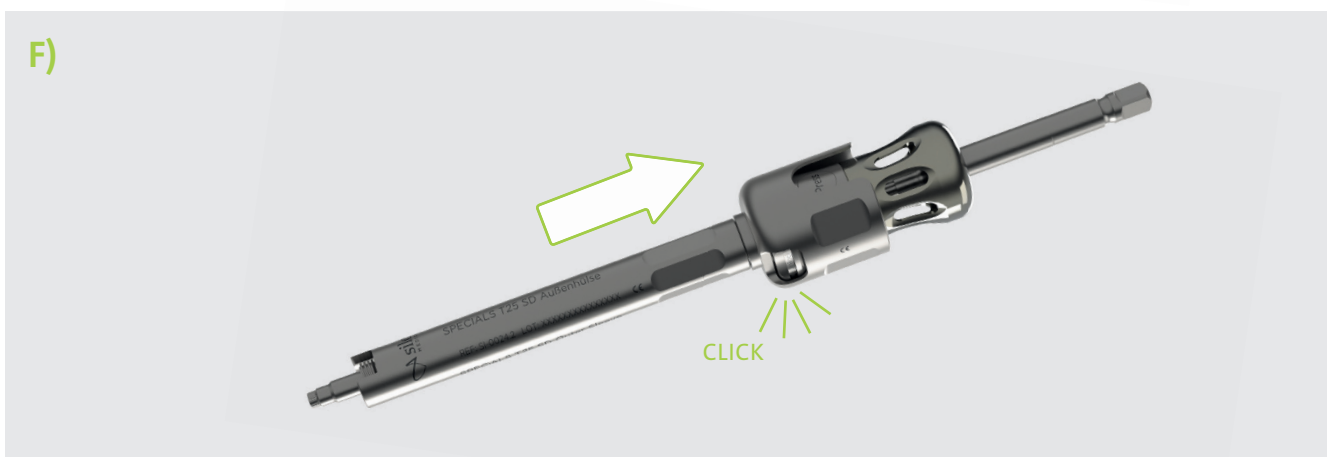
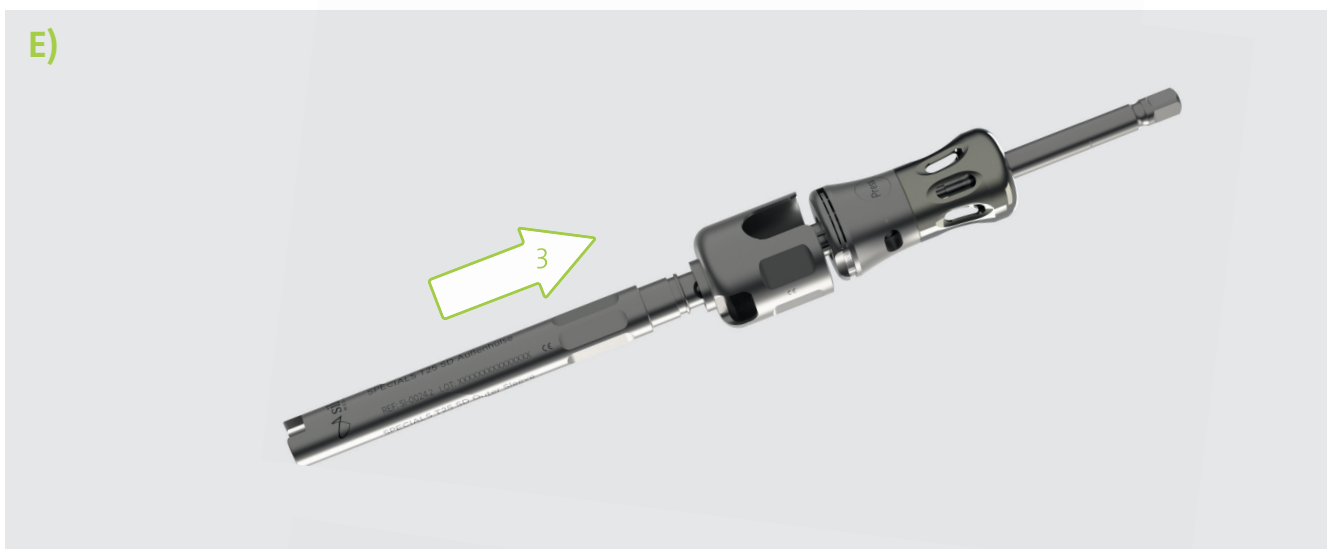
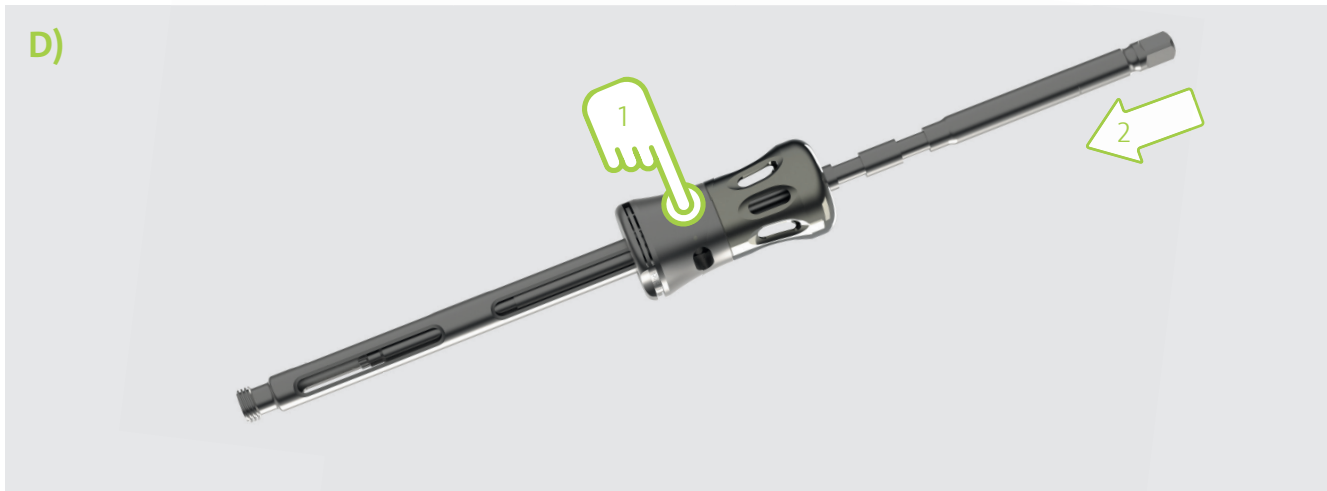
**Silony Medical GmbH**

Leinfelder Straße 60  
70771 Leinfelden-Echterdingen, Germany  
Tel +49 711 78 25 25 0  
Fax +49 711 78 25 25 11

MADE IN GERMANY

SI-0024

[ SI-0024.1; SI-0024.2; SI-0024.3; SI-0024.4  
VI-1130.1 ]



 D30003

2/2

D30128.b.YY  
24.04.2019

 D30000

 **Silony Medical Europe GmbH**

Bahnhofstraße 1  
28195 Bremen, Germany  
Tel +49 421 24 69 56 0  
Fax +49 421 24 69 56 55

[www.silony-medical.com](http://www.silony-medical.com)

 **Silony Medical GmbH**

Leinfelder Straße 60  
70771 Leinfelden-Echterdingen, Germany  
Tel +49 711 78 25 25 0  
Fax +49 711 78 25 25 11

MADE IN GERMANY