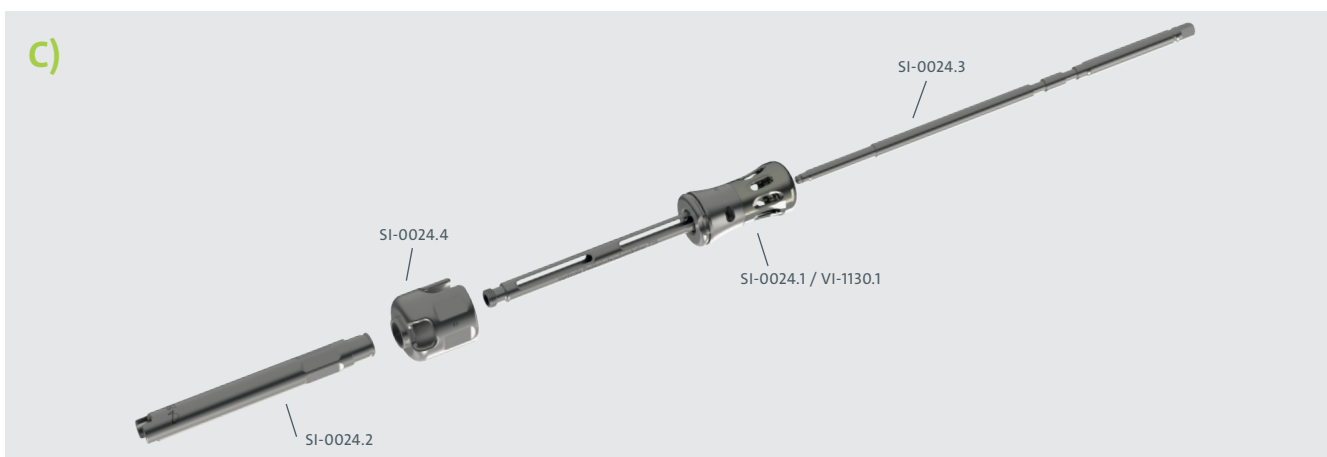
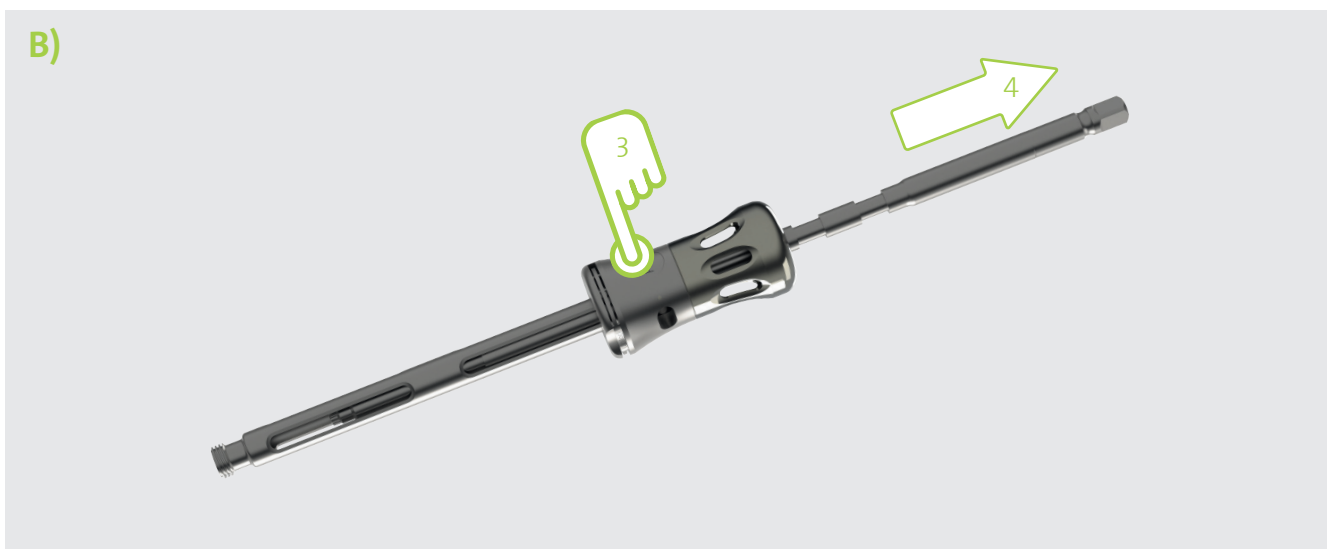
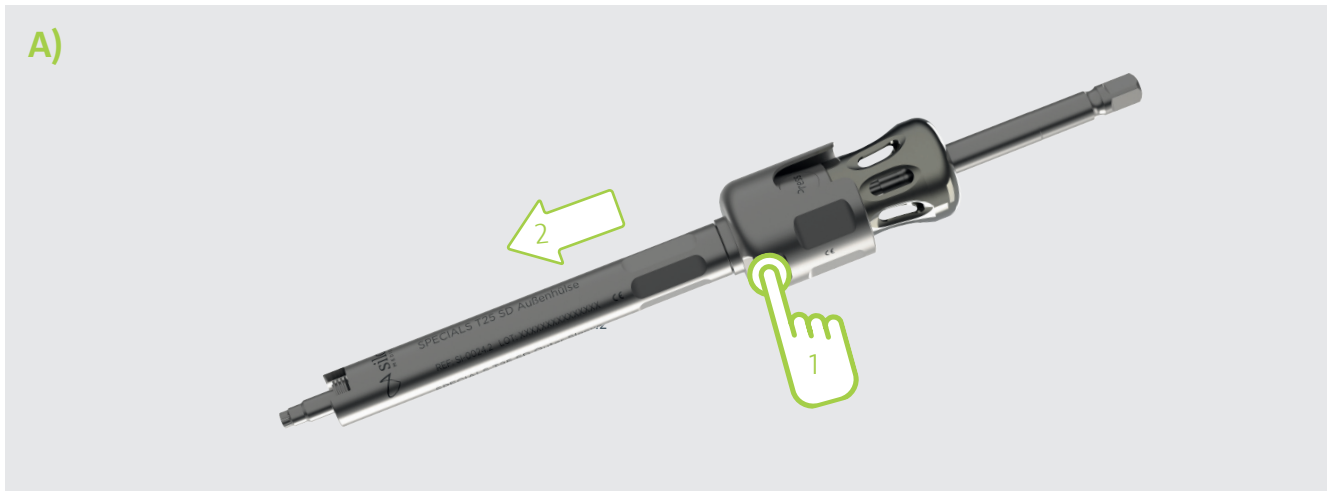
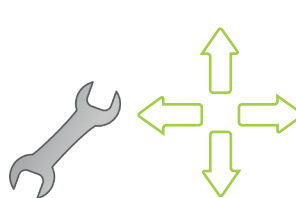


SI-0024

[ SI-0024.1; SI-0024.2; SI-0024.3; SI-0024.4  
VI-1130.1 ]



D30003

1/2

D30128.c.YY  
08.04.2022

D30000

Silony Medical GmbH

Leinfelder Straße 60  
70771 Leinfelden-Echterdingen

Tel +49 711 78 25 25 0

Fax +49 711 78 25 25 11

[www.silony-medical.com](http://www.silony-medical.com)

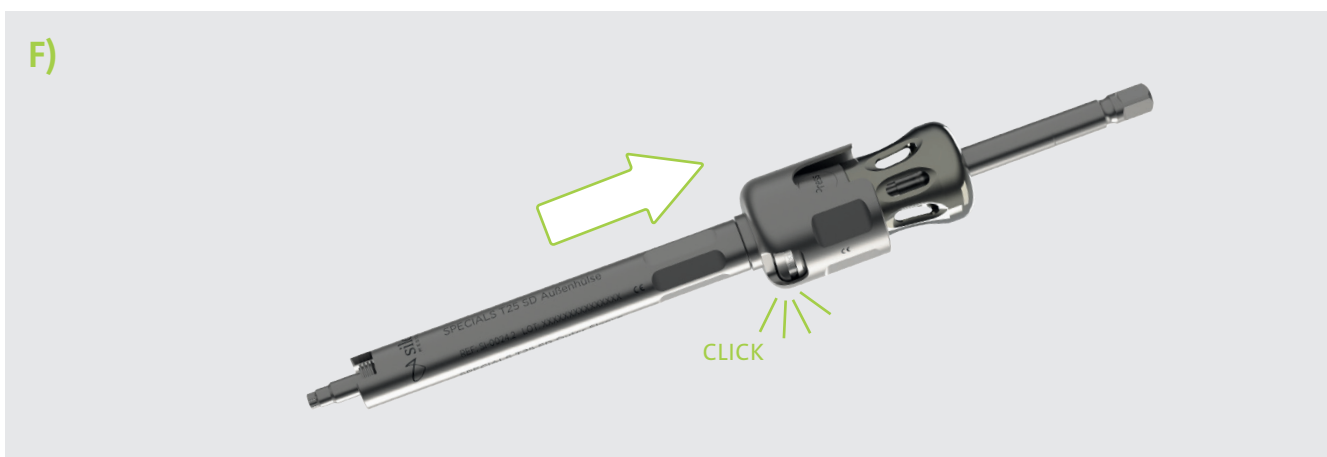
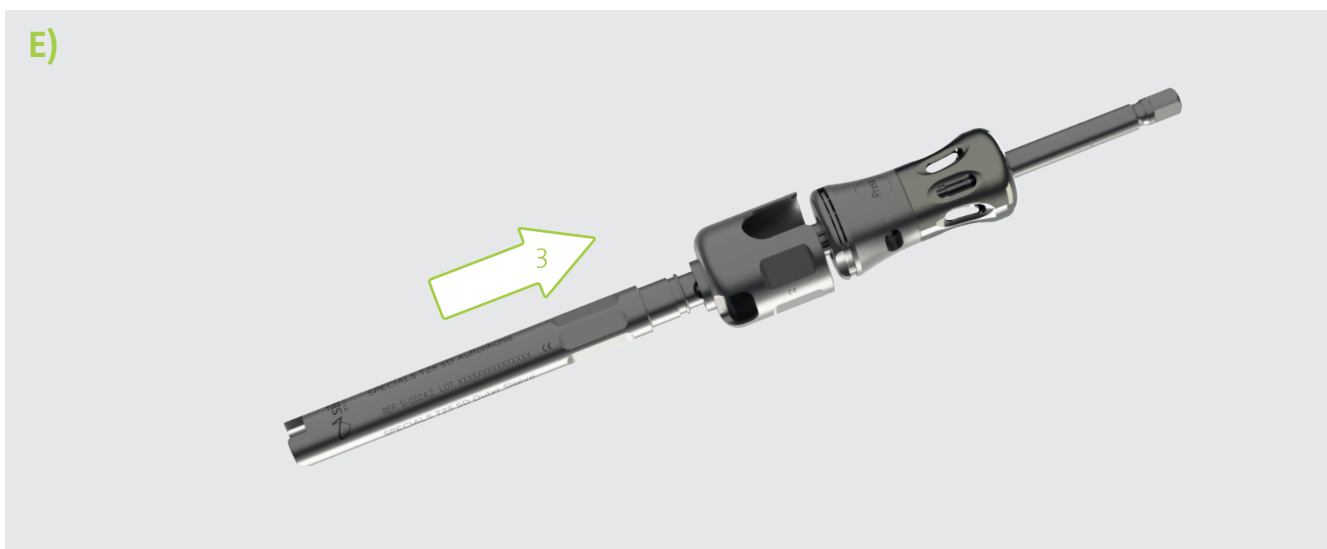
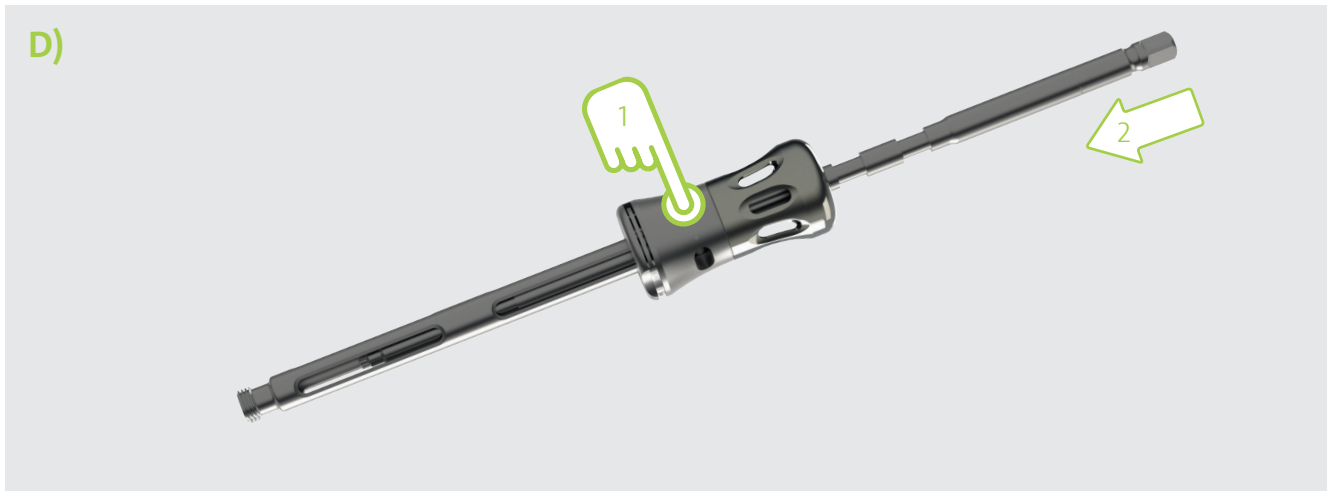
[elabeling.silony-medical.com/contact](mailto:elabeling.silony-medical.com/contact)

CE

MADE IN GERMANY

SI-0024

[ SI-0024.1; SI-0024.2; SI-0024.3; SI-0024.4  
VI-1130.1 ]



 D30003

2/2

D30128.c.YY  
08.04.2022

 D30000