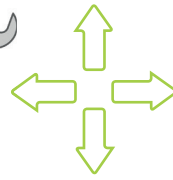


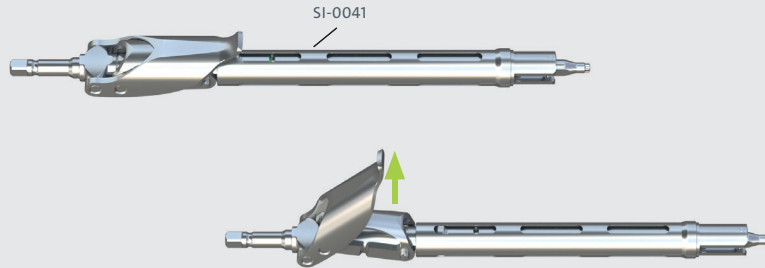
SI-0041

[SI-0041.1; SI-0041.2; 0041.3; 0041.4; 0041.5]

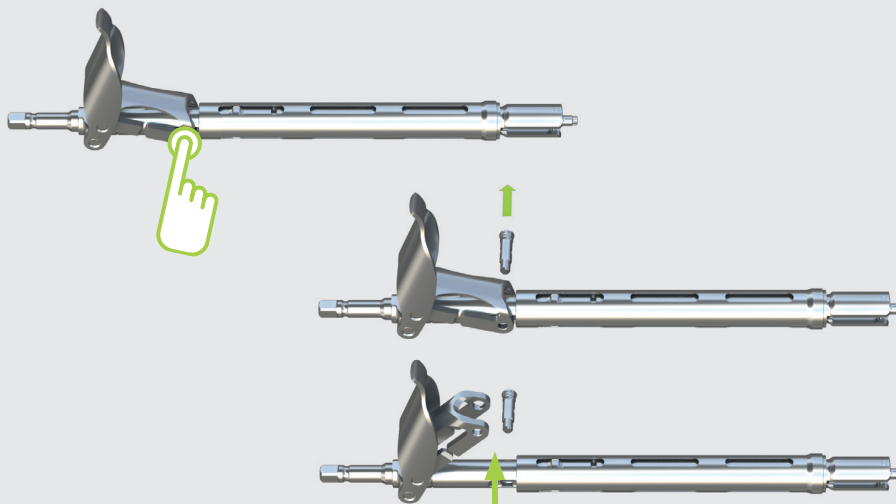


specials
TEAM

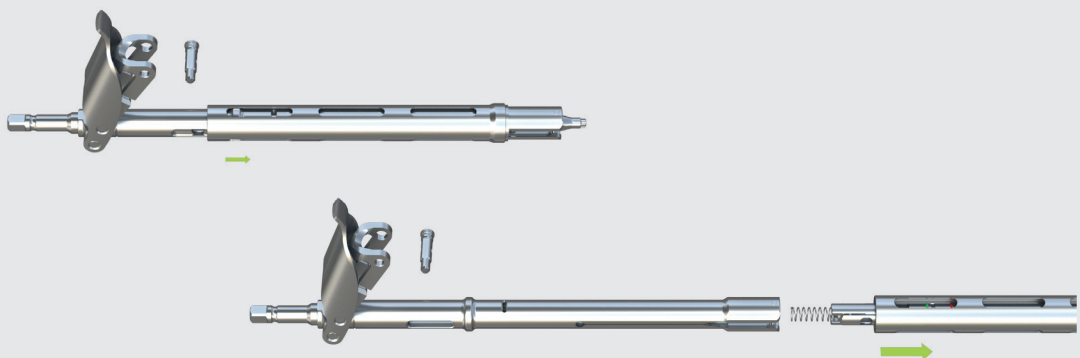
A)



B)



C)



D30003

1/4

D30203.a.YY
24.05.2019

D30000

Silony Medical Europe GmbH

Bahnhofstraße 1
28195 Bremen, Germany
Tel +49 421 24 69 56 0
Fax +49 421 24 69 56 55

www.silony-medical.com

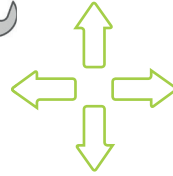
Silony Medical GmbH

Leinfelder Straße 60
70771 Leinfelden-Echterdingen, Germany
Tel +49 711 78 25 25 0
Fax +49 711 78 25 25 11

MADE IN GERMANY

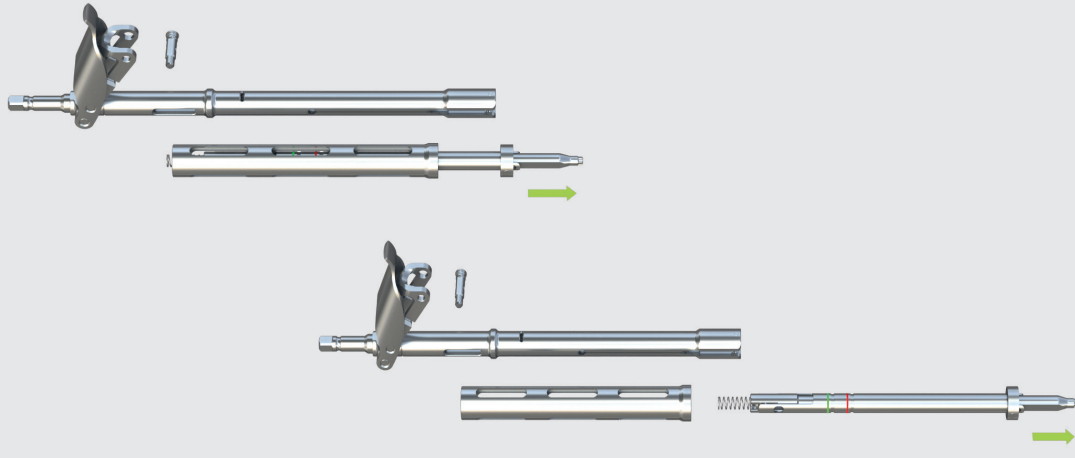
SI-0041

[SI-0041.1; SI-0041.2; 0041.3; 0041.4; 0041.5]

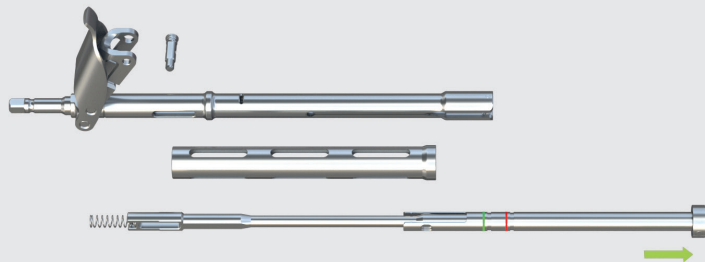


specials
TEAM

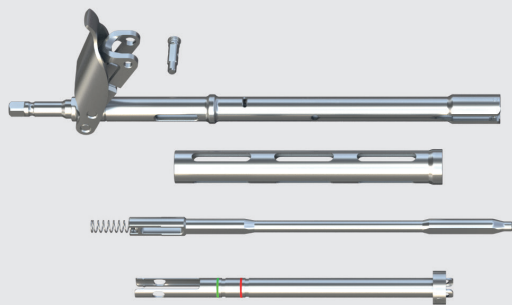
D)



E)



F)



D30003

2/4

D30203.a.YY
24.05.2019

D30000

Silony Medical Europe GmbH

Bahnhofstraße 1
28195 Bremen, Germany
Tel +49 421 24 69 56 0
Fax +49 421 24 69 56 55

www.silony-medical.com

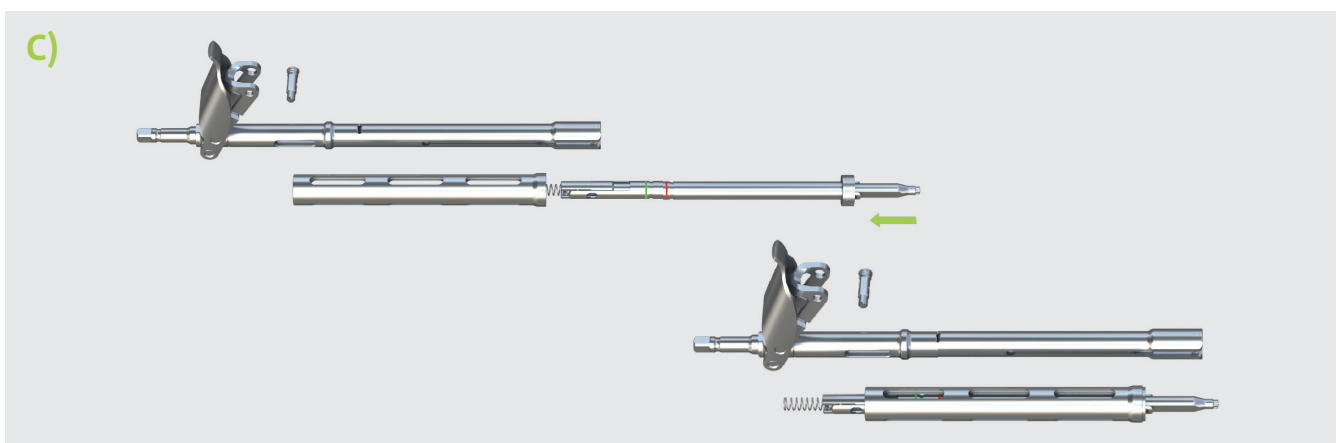
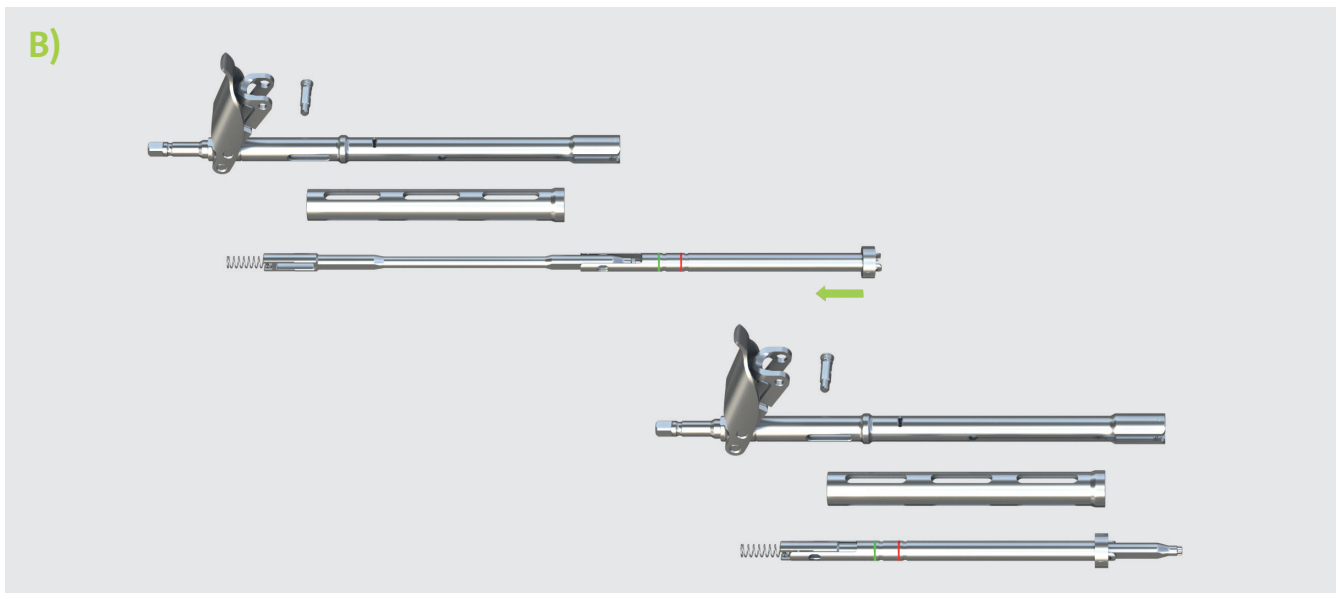
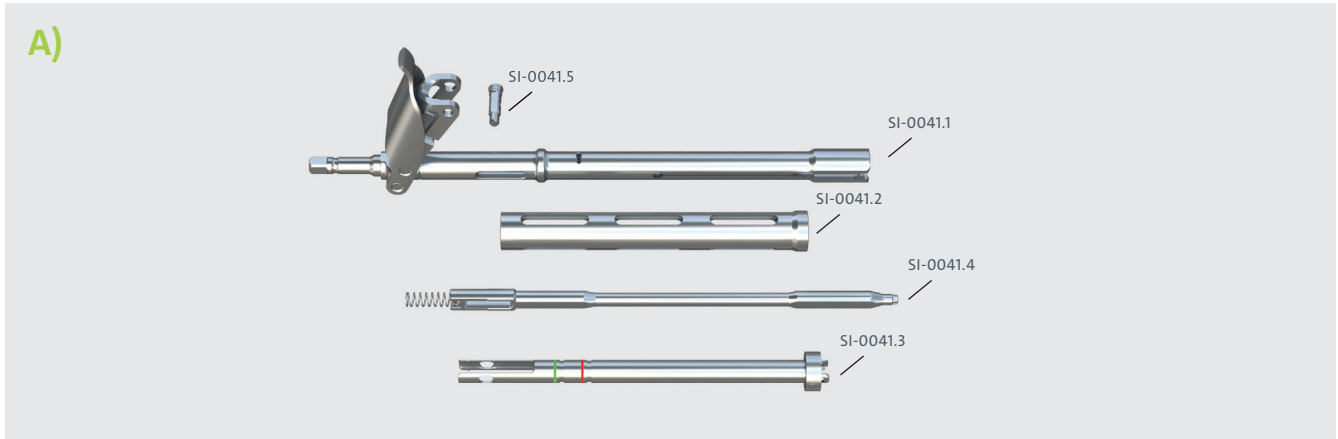
Silony Medical GmbH

Leinfelder Straße 60
70771 Leinfelden-Echterdingen, Germany
Tel +49 711 78 25 25 0
Fax +49 711 78 25 25 11

MADE IN GERMANY

SI-0041

[SI-0041.1; SI-0041.2; 0041.3; 0041.4; 0041.5]



D30003

3/4

D30203.a.YY
24.05.2019

D30000

Silony Medical Europe GmbH

Bahnhofstraße 1
28195 Bremen, Germany
Tel +49 421 24 69 56 0
Fax +49 421 24 69 56 55

www.silony-medical.com

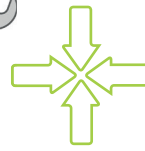
Silony Medical GmbH

Leinfelder Straße 60
70771 Leinfelden-Echterdingen, Germany
Tel +49 711 78 25 25 0
Fax +49 711 78 25 25 11

MADE IN GERMANY

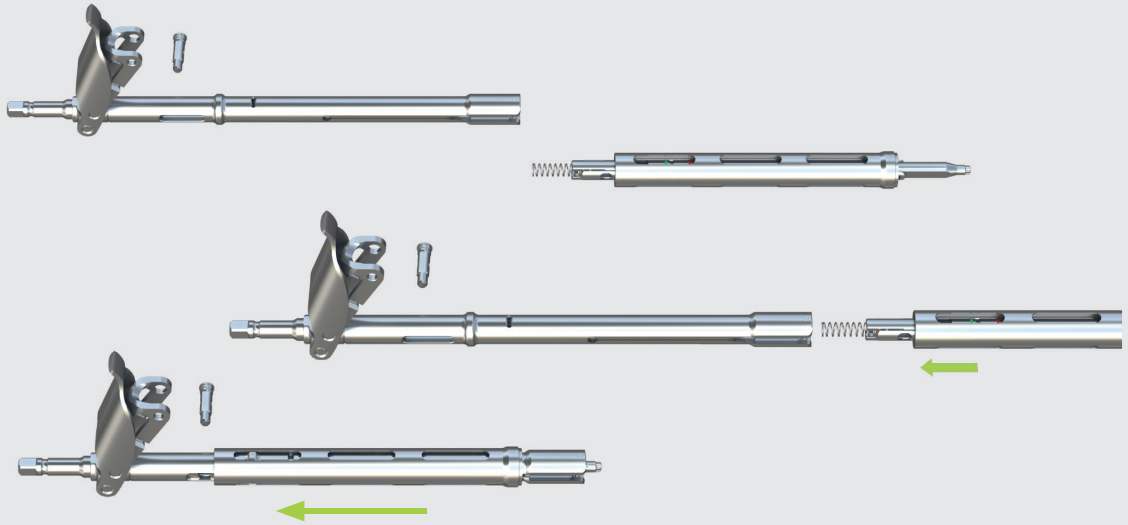
SI-0041

[SI-0041.1; SI-0041.2; 0041.3; 0041.4; 0041.5]

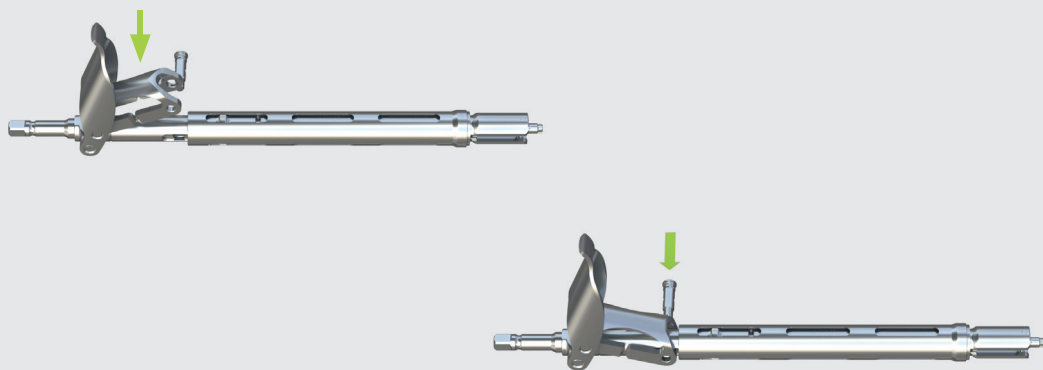


specials
TEAM

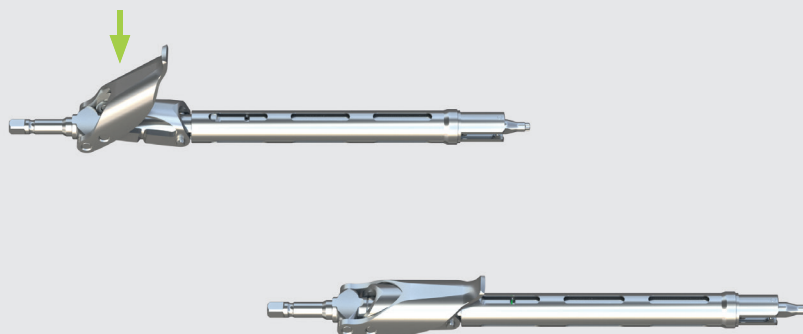
D)



E)



F)



D30003

4/4

D30203.a.YY
17.02.2016

D30000

Silony Medical Europe GmbH

Bahnhofstraße 1
28195 Bremen, Germany
Tel +49 421 24 69 56 0
Fax +49 421 24 69 56 55

www.silony-medical.com

Silony Medical GmbH

Leinfelder Straße 60
70771 Leinfelden-Echterdingen, Germany
Tel +49 711 78 25 25 0
Fax +49 711 78 25 25 11

MADE IN GERMANY