

SI-0023

[SI-0023.1; SI-0023.2; SI-0023.3]

Reduction and fixation of the set screw with the reduction set screw starter

SI-0023
SPECIAL Reduction Set Screw
Starter



After placement of the VERTICALE set screw on the self-retaining Torx of the SPECIAL reduction set screw starter (Fig. 1), it can be pushed into the reduction insert in the VERTICALE reduction instrument until the teeth are completely locked.

The reduction process is conducted by turning the handle of the SPECIAL reduction set screw starter clockwise (Fig. 2). This reduces the rod into the head of the screw and at the same time corrects the position of the vertebral body to posterior (Fig. 3).

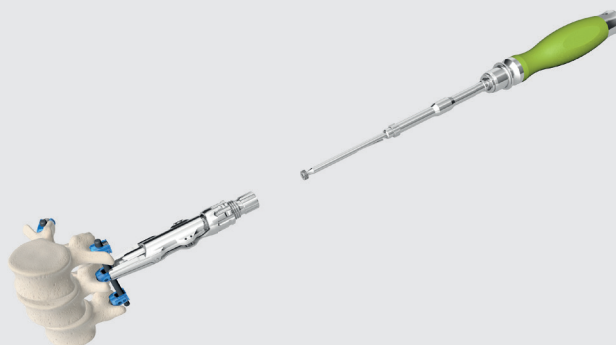


Fig. 1

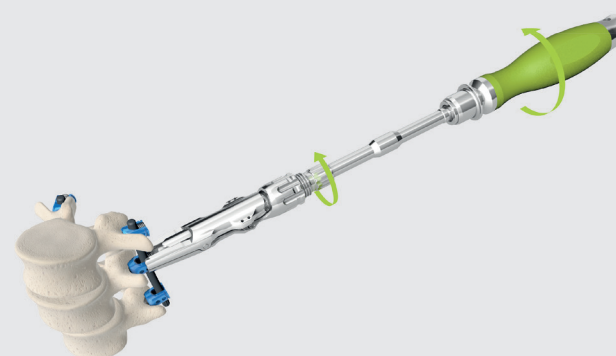


Fig. 2

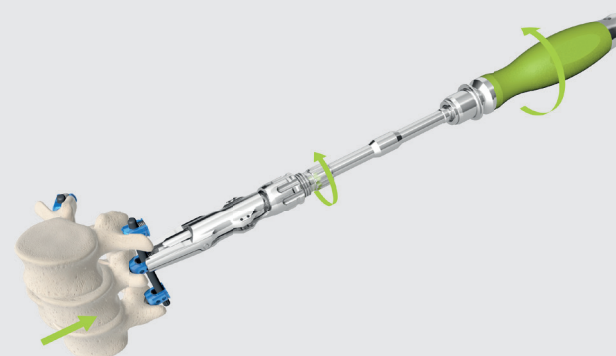


Fig. 3

 D30003

 D30000

1/4

D30207.a.EN
12.11.2019

 **Silony Medical Ltd**
5 The Beacons
Beaconsfield Road
Hatfield, Herts, AL10 8RS, UK
Tel +44 1707 32 84 77
Fax +44 1707 32 84 73

www.silony-medical.com

 **Silony Medical GmbH**
Leinfelder Straße 60
70771 Leinfelden-Echterdingen, Germany
Tel +49 711 78 25 25 0
Fax +49 711 78 25 25 11

MADE IN GERMANY

SI-0023

[SI-0023.1; SI-0023.2; SI-0023.3]

Reduction and fixation of the set screw with the reduction set screw starter

SI-0023
SPECIAL Reduction Set Screw
Starter



In order to fix the rod with the previously placed VERTICALE set screw, the handle is unlocked by pulling the coupling (Fig. 4) upwards and pushed in the direction of the screw (Fig. 5). Now the VERTICALE set screw can be placed and tightened by turning the handle of the SPECIAL reduction set screw starter clockwise (Fig. 6).

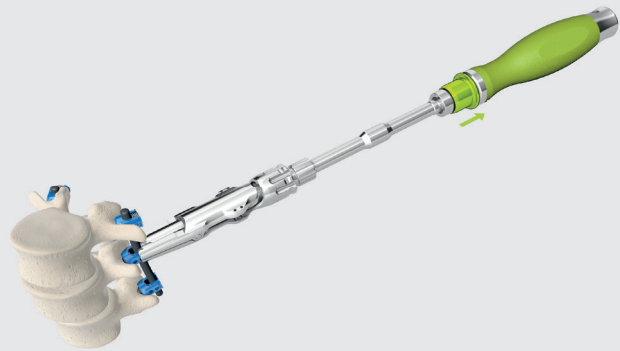


Fig. 4

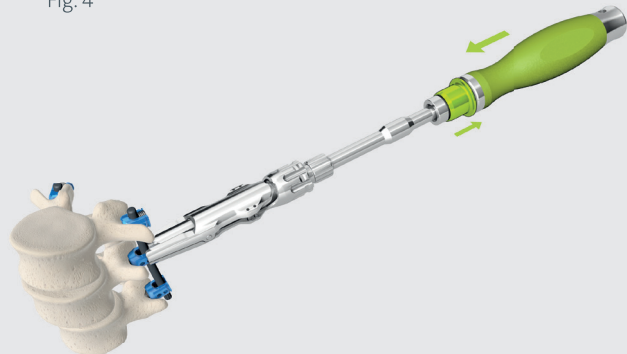


Fig. 5

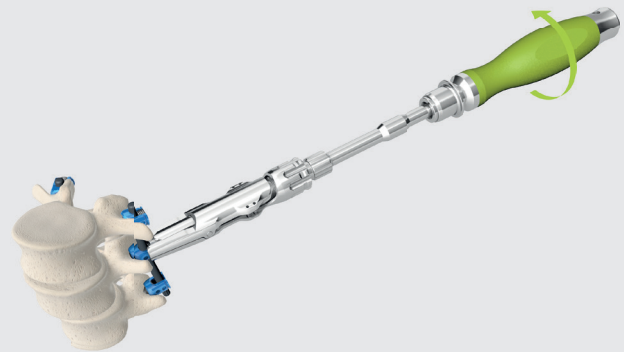


Fig. 6

 D30003

 D30000

2/4

D30207.a.EN
12.11.2019

 **Silony Medical Ltd**
5 The Beacons
Beaconsfield Road
Hatfield, Herts, AL10 8RS, UK
Tel +44 1707 32 84 77
Fax +44 1707 32 84 73

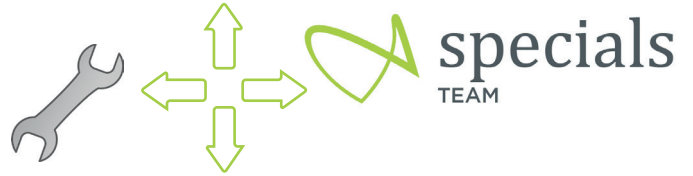
www.silony-medical.com

 **Silony Medical GmbH**
Leinfelder Straße 60
70771 Leinfelden-Echterdingen, Germany
Tel +49 711 78 25 25 0
Fax +49 711 78 25 25 11

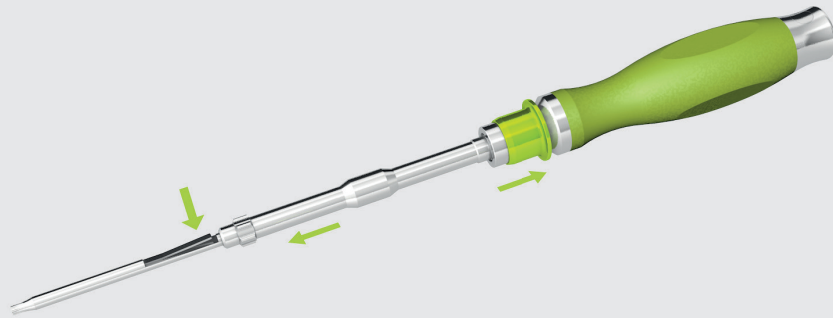
MADE IN GERMANY

SI-0023

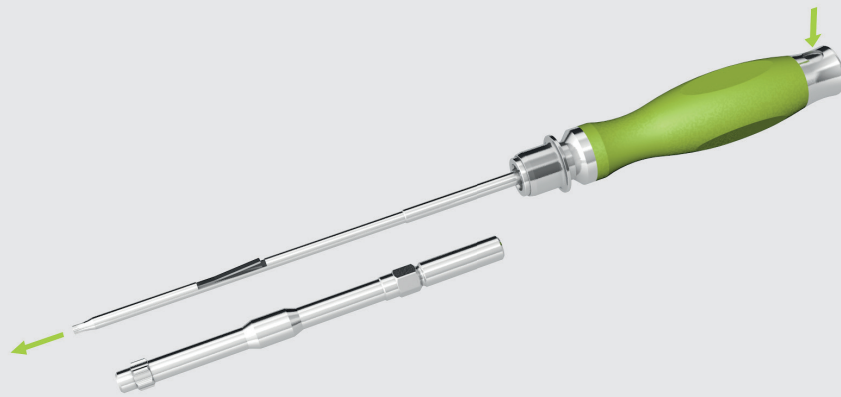
[SI-0023.1; SI-0023.2; SI-0023.3]



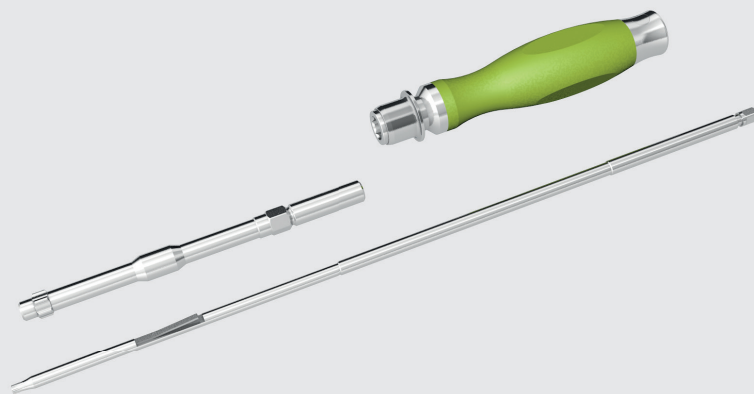
A)



B)



C)



STERILE

 D30003

 D30000

3/4

D30207.a.EN
12.11.2019

 **Silony Medical Ltd**
5 The Beacons
Beaconsfield Road
Hatfield, Herts, AL10 8RS, UK
Tel +44 1707 32 84 77
Fax +44 1707 32 84 73

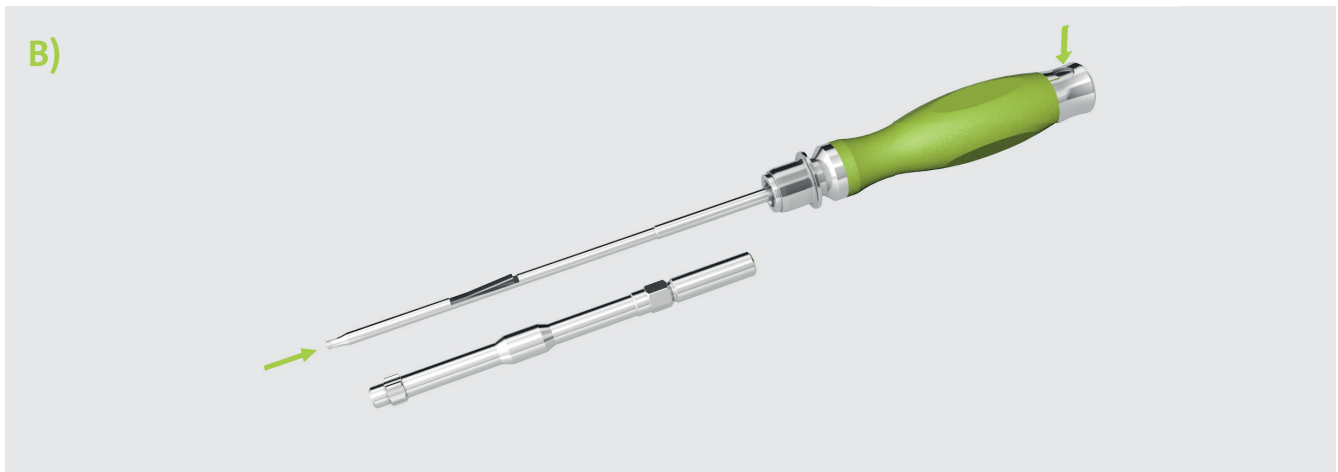
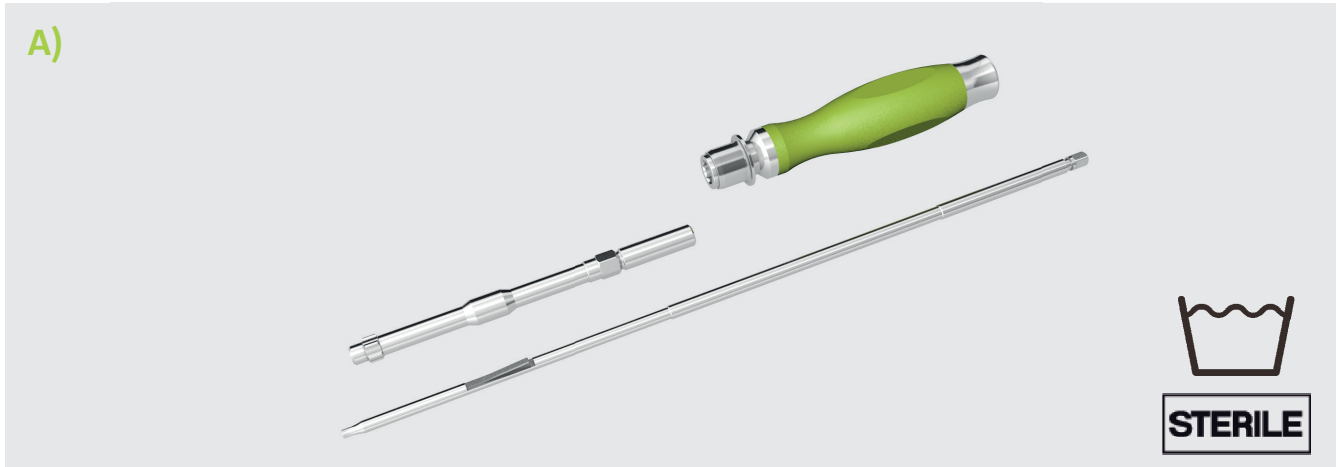
www.silony-medical.com

 **Silony Medical GmbH**
Leinfelder Straße 60
70771 Leinfelden-Echterdingen, Germany
Tel +49 711 78 25 25 0
Fax +49 711 78 25 25 11

MADE IN GERMANY

SI-0023

[SI-0023.1; SI-0023.2; SI-0023.3]



 D30003

4/4

D30207.a.EN
12.11.2019

 D30000

 **Silony Medical Ltd**
5 The Beacons
Beaconsfield Road
Hatfield, Herts, AL10 8RS, UK
Tel +44 1707 32 84 77
Fax +44 1707 32 84 73

 **Silony Medical GmbH**
Leinfelder Straße 60
70771 Leinfelden-Echterdingen, Germany
Tel +49 711 78 25 25 0
Fax +49 711 78 25 25 11

www.silony-medical.com

MADE IN GERMANY