

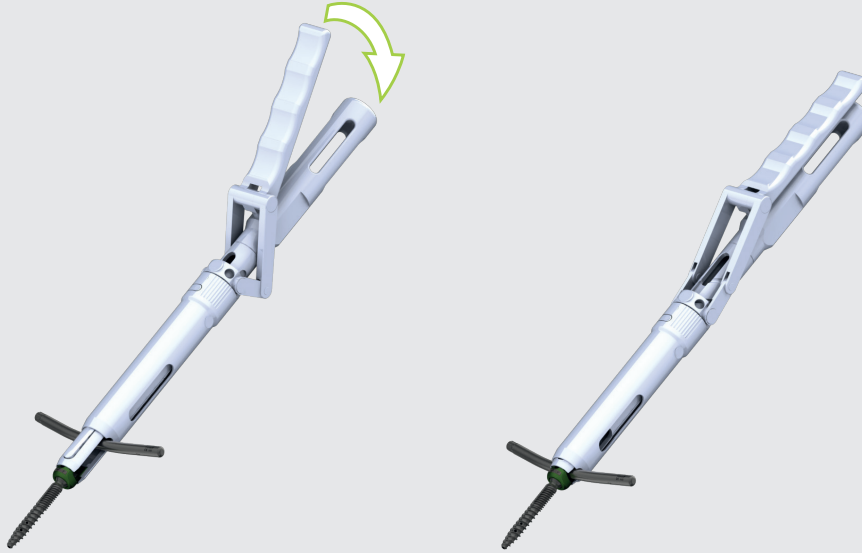
# VERTICALE® OPEN

VI-1369

[ VI-1369.1; VI-1369.2; VI-1420 ]



A)



B)



 D30003

1/5

D30265.b.YY  
04.07.2022

 D30000

 Silony Medical GmbH

Leinfelder Straße 60  
70771 Leinfelden-Echterdingen, Germany  
Tel +49 711 78 25 25 0  
Fax +49 711 78 25 25 11

 [elabeling.silony-medical.com/contact](mailto:elabeling.silony-medical.com/contact)

CE

[www.silony-medical.com](http://www.silony-medical.com)

MADE IN GERMANY

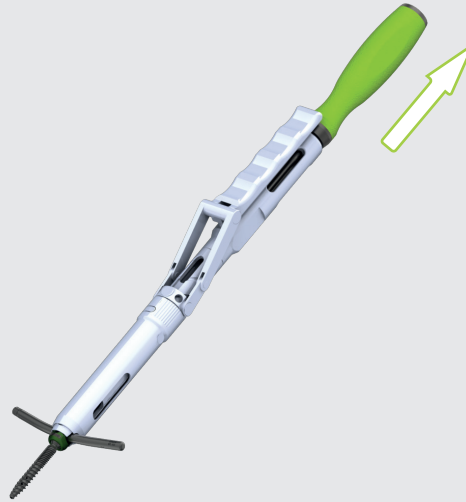
# VERTICALE® OPEN

VI-1369

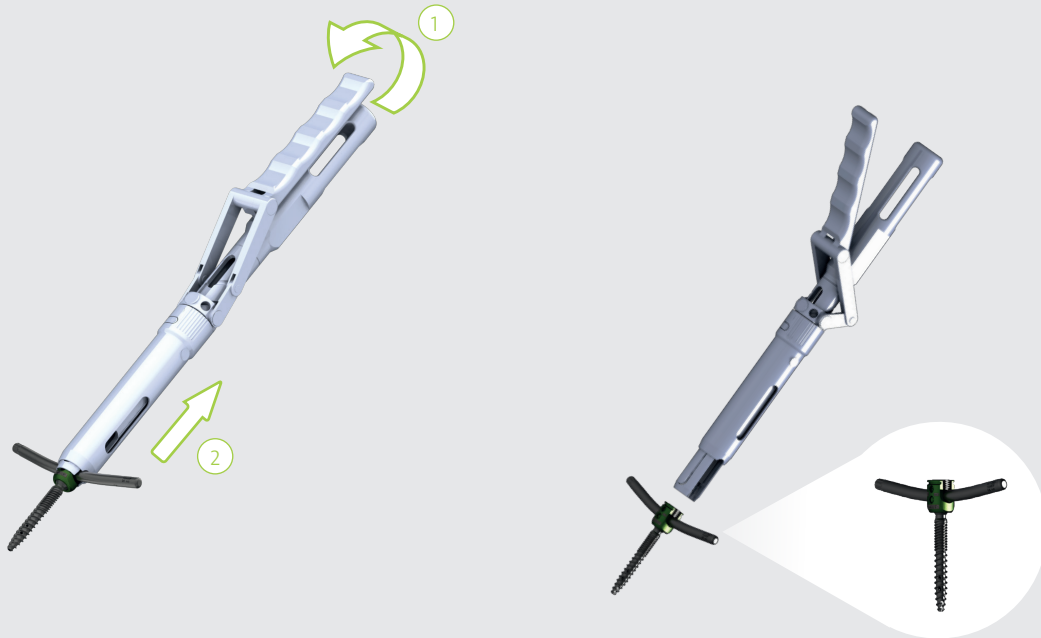
[ VI-1369.1; VI-1369.2; VI-1420 ]



c)



D)



 D30003

2/5

D30265.b.YY  
04.07.2022

 D30000

 Silony Medical GmbH

Leinfelder Straße 60  
70771 Leinfelden-Echterdingen, Germany

Tel +49 711 78 25 25 0

Fax +49 711 78 25 25 11

[www.silony-medical.com](http://www.silony-medical.com)

 [elabeling.silony-medical.com/contact](mailto:elabeling.silony-medical.com/contact)

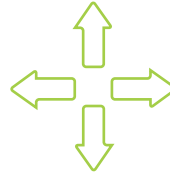
CE

MADE IN GERMANY

# VERTICALE® OPEN

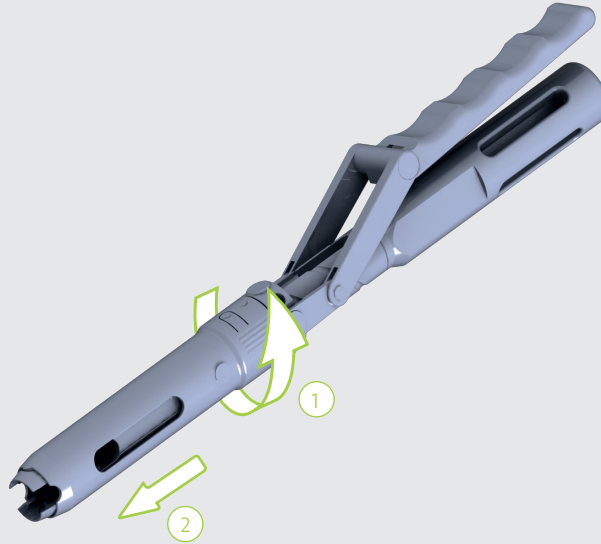
VI-1369

[ VI-1369.1; VI-1369.2; VI-1420 ]

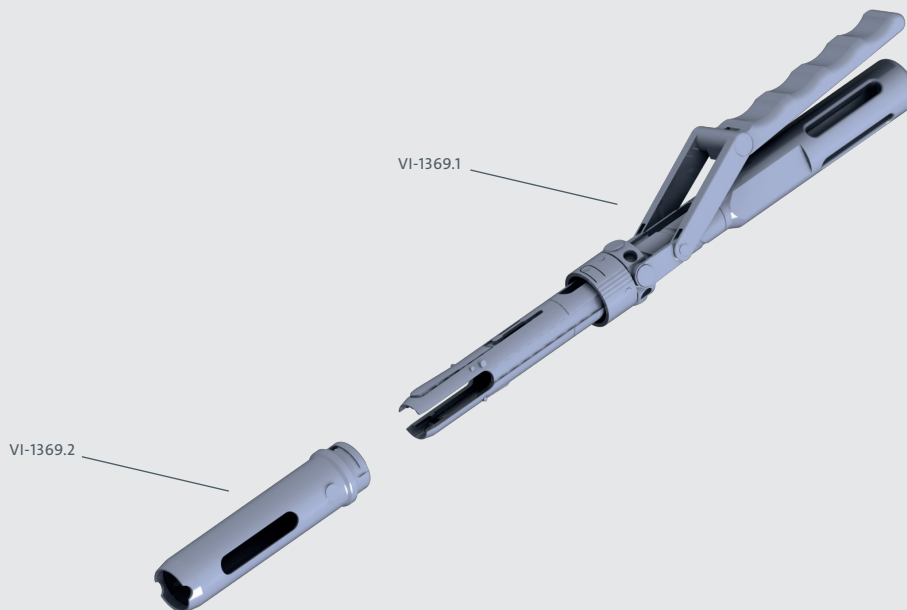


**silony**  
MEDICAL

E)



F)



 D30003

3/5

D30265.b.YY  
04.07.2022

 D30000

 **Silony Medical GmbH**

Leinfelder Straße 60  
70771 Leinfelden-Echterdingen, Germany  
Tel +49 711 78 25 25 0  
Fax +49 711 78 25 25 11

 [elabeling.silony-medical.com/contact](mailto:elabeling.silony-medical.com/contact)

CE

[www.silony-medical.com](http://www.silony-medical.com)

MADE IN GERMANY

# VERTICALE® OPEN

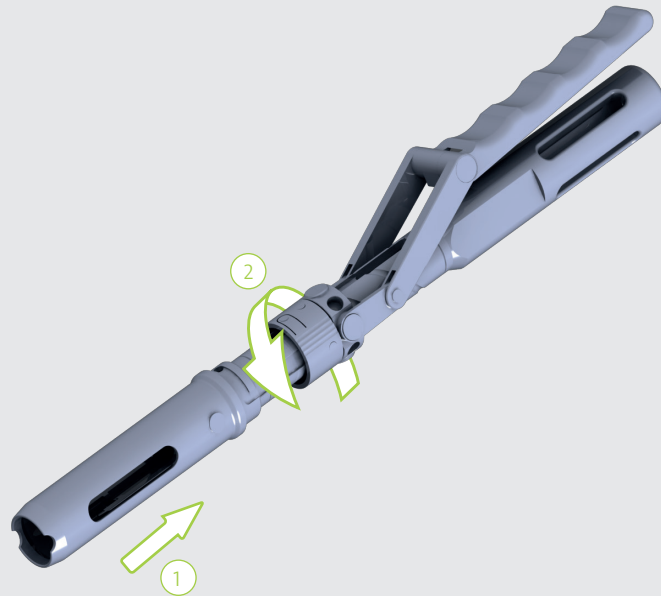
VI-1369

[ VI-1369.1; VI-1369.2; VI-1420 ]

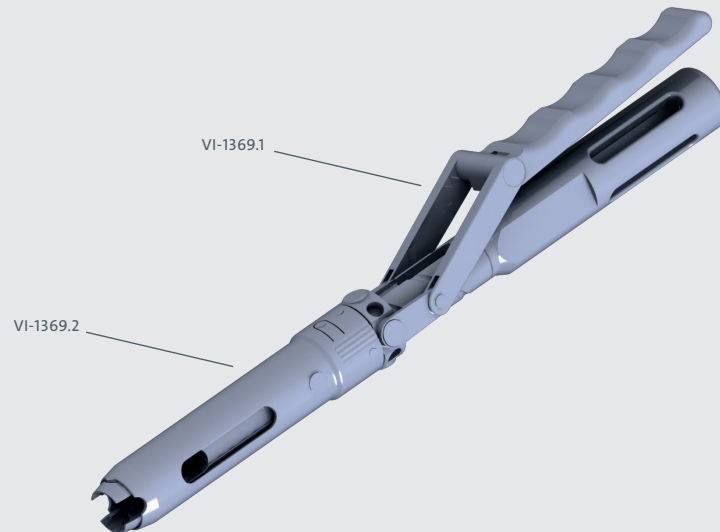


**silony**  
MEDICAL

G)



H)



 D30003

4/5

D30265.b.YY  
04.07.2022

 D30000

 **Silony Medical GmbH**

Leinfelder Straße 60  
70771 Leinfelden-Echterdingen, Germany  
Tel +49 711 78 25 25 0  
Fax +49 711 78 25 25 11

 [elabeling.silony-medical.com/contact](mailto:elabeling.silony-medical.com/contact)

CE

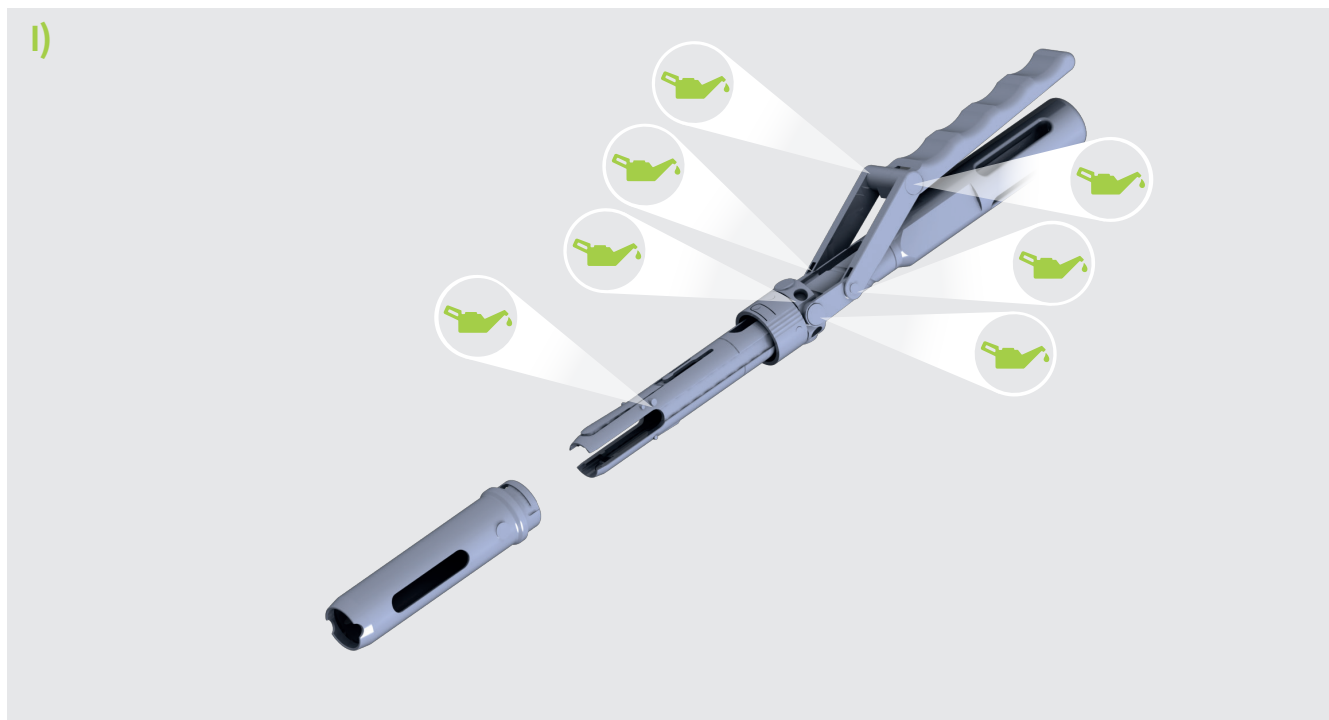
[www.silony-medical.com](http://www.silony-medical.com)

MADE IN GERMANY

# VERTICALE® OPEN

VI-1369

[ VI-1369.1; VI-1369.2; VI-1420 ]



 D30003

5/5

D30265.b.YY  
04.07.2022

 D30000

 **Silony Medical GmbH**

Leinfelder Straße 60  
70771 Leinfelden-Echterdingen, Germany  
Tel +49 711 78 25 25 0  
Fax +49 711 78 25 25 11

 [elabeling.silony-medical.com/contact](mailto:elabeling.silony-medical.com/contact)

**CE**

[www.silony-medical.com](http://www.silony-medical.com)

MADE IN GERMANY