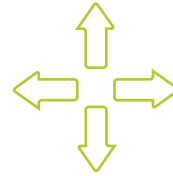


VERTICALE® MultiLocking

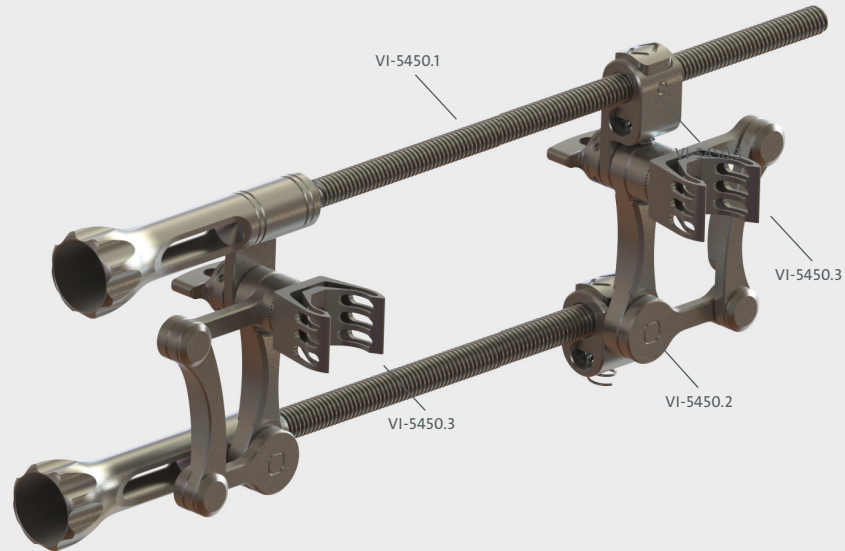
VI-5450

[VI-5450.1; VI-5450.2; VI-5450.3]



silony
MEDICAL

A)



B)



 D30003

1/4

D30228.a.YY
18.11.2020

 D30204

 **Silony Medical Europe GmbH**

An der Weide 27-29
28195 Bremen, Germany
Tel +49 421 24 69 56 0
Fax +49 421 24 69 56 55

www.silony-medical.com

 **Silony Medical GmbH**

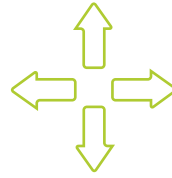
Leinfelder Straße 60
70771 Leinfelden-Echterdingen, Germany
Tel +49 711 78 25 25 0
Fax +49 711 78 25 25 11

MADE IN GERMANY

VERTICALE® MultiLocking

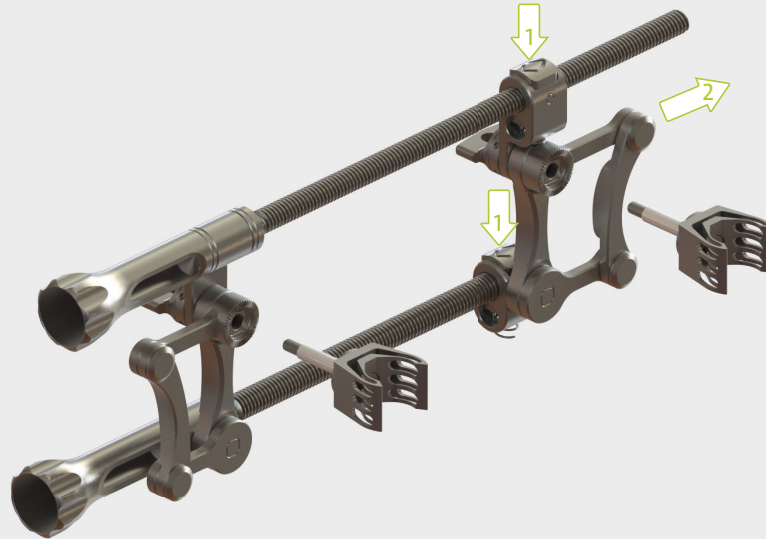
VI-5450

[VI-5450.1; VI-5450.2; VI-5450.3]

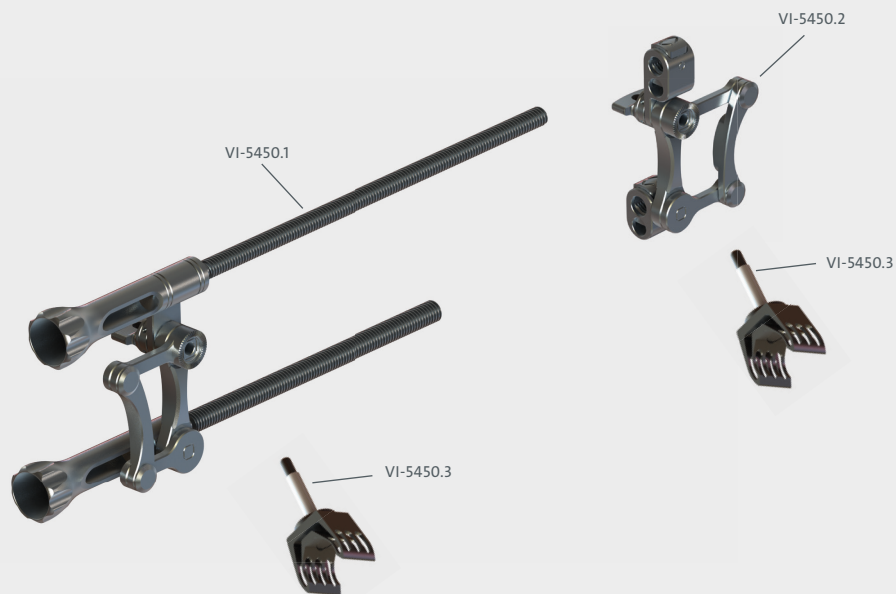


silony
MEDICAL

c)



D)



 D30003

2/4

D30228.a.YY
18.11.2020

 D30204

 **Silony Medical Europe GmbH**

An der Weide 27-29
28195 Bremen, Germany
Tel +49 421 24 69 56 0
Fax +49 421 24 69 56 55

www.silony-medical.com

 **Silony Medical GmbH**

Leinfelder Straße 60
70771 Leinfelden-Echterdingen, Germany
Tel +49 711 78 25 25 0
Fax +49 711 78 25 25 11

MADE IN GERMANY

VERTICALE® MultiLocking

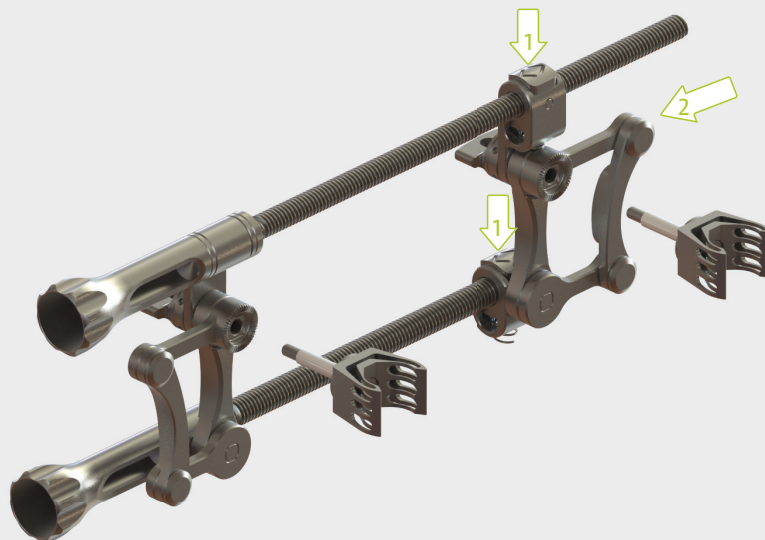
VI-5450

[VI-5450.1; VI-5450.2; VI-5450.3]



silony
MEDICAL

E)



F)



 D30003

3/4

D30228.a.YY
18.11.2020

 D30204

 **Silony Medical Europe GmbH**

An der Weide 27-29
28195 Bremen, Germany
Tel +49 421 24 69 56 0
Fax +49 421 24 69 56 55

www.silony-medical.com

 **Silony Medical GmbH**

Leinfelder Straße 60
70771 Leinfelden-Echterdingen, Germany
Tel +49 711 78 25 25 0
Fax +49 711 78 25 25 11

MADE IN GERMANY

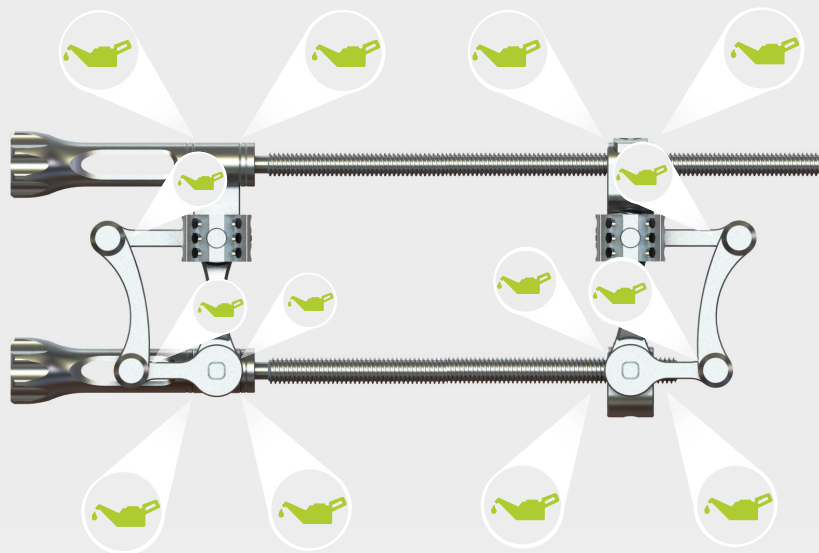
VERTICALE® MultiLocking

VI-5450

[VI-5450.1; VI-5450.2; VI-5450.3]



G)



 D30003

4/4

D30228.a.YY
18.11.2020

 D30204

 **Silony Medical Europe GmbH**

An der Weide 27-29
28195 Bremen, Germany
Tel +49 421 24 69 56 0
Fax +49 421 24 69 56 55

www.silony-medical.com

 **Silony Medical GmbH**

Leinfelder Straße 60
70771 Leinfelden-Echterdingen, Germany
Tel +49 711 78 25 25 0
Fax +49 711 78 25 25 11

MADE IN GERMANY