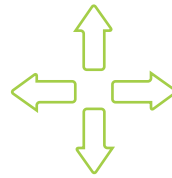


VERTICALE® MultiLocking

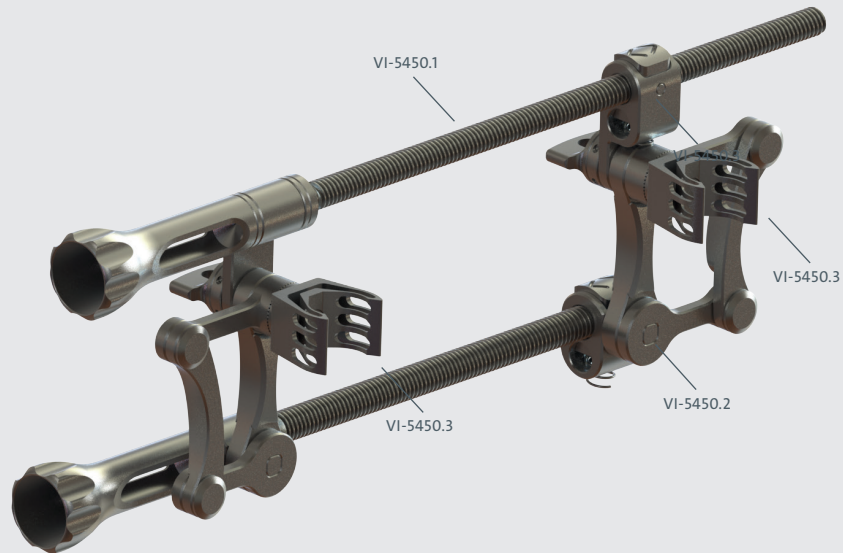
VI-5450

[VI-5450.1; VI-5450.2; VI-5450.3]



silony
MEDICAL

A)



B)



 D30003

1/4

D30228.b.YY
20.04.2022

 D30204

 **Silony Medical GmbH**

Leinfelder Straße 60
70771 Leinfelden-Echterdingen
Tel +49 711 78 25 25 0
Fax +49 711 78 25 25 11

www.silony-medical.com

 elabeling.silony-medical.com/contact

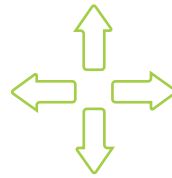
CE

MADE IN GERMANY

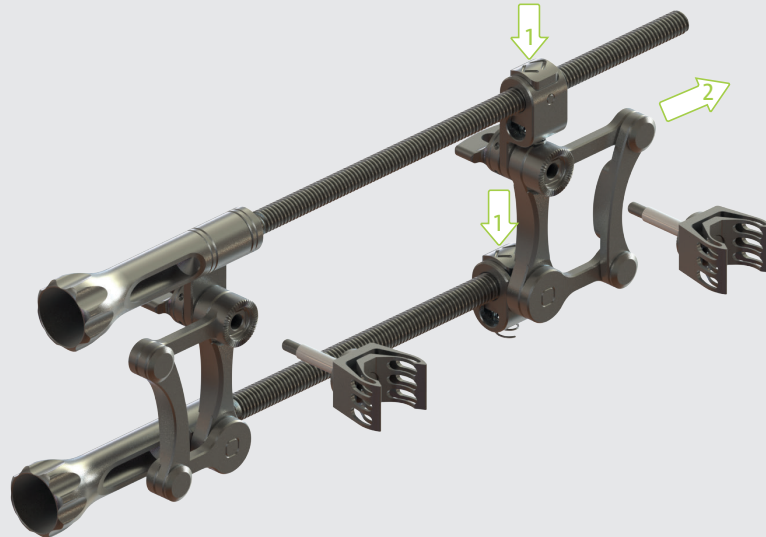
VERTICALE® MultiLocking

VI-5450

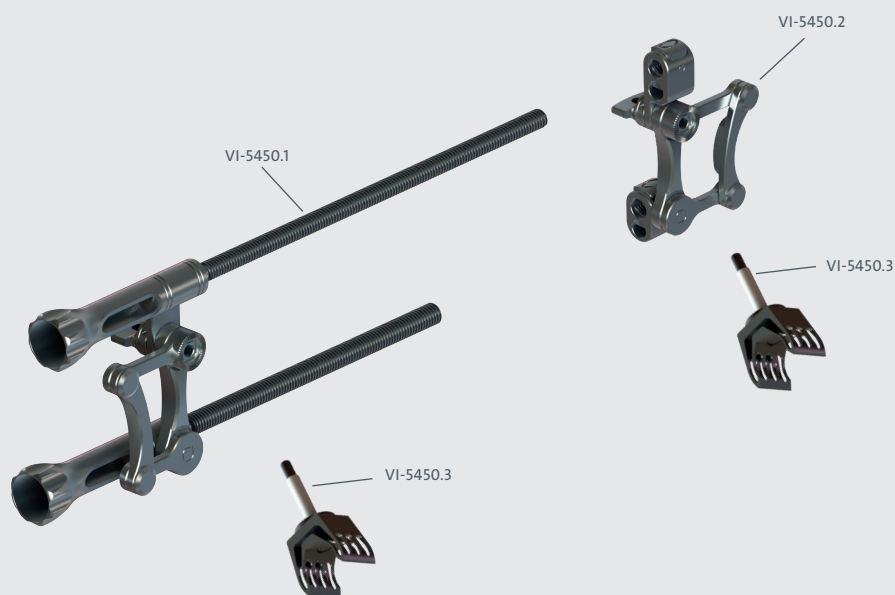
[VI-5450.1; VI-5450.2; VI-5450.3]



c)



D)



 D30003

2/4

D30228.b.YY
20.04.2022

 D30204

 **Silony Medical GmbH**

Leinfelder Straße 60
70771 Leinfelden-Echterdingen
Tel +49 711 78 25 25 0
Fax +49 711 78 25 25 11

www.silony-medical.com

 elabeling.silony-medical.com/contact

CE

MADE IN GERMANY

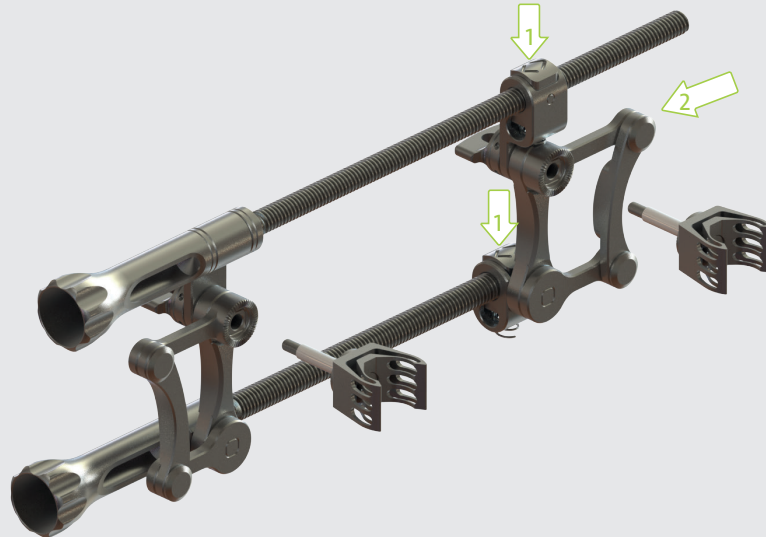
VERTICALE® MultiLocking

VI-5450

[VI-5450.1; VI-5450.2; VI-5450.3]



E)



F)



 D30003

3/4

D30228.b.YY
20.04.2022

 D30204

 Silony Medical GmbH

Leinfelder Straße 60
70771 Leinfelden-Echterdingen
Tel +49 711 78 25 25 0
Fax +49 711 78 25 25 11

www.silony-medical.com

 elabeling.silony-medical.com/contact

CE

MADE IN GERMANY

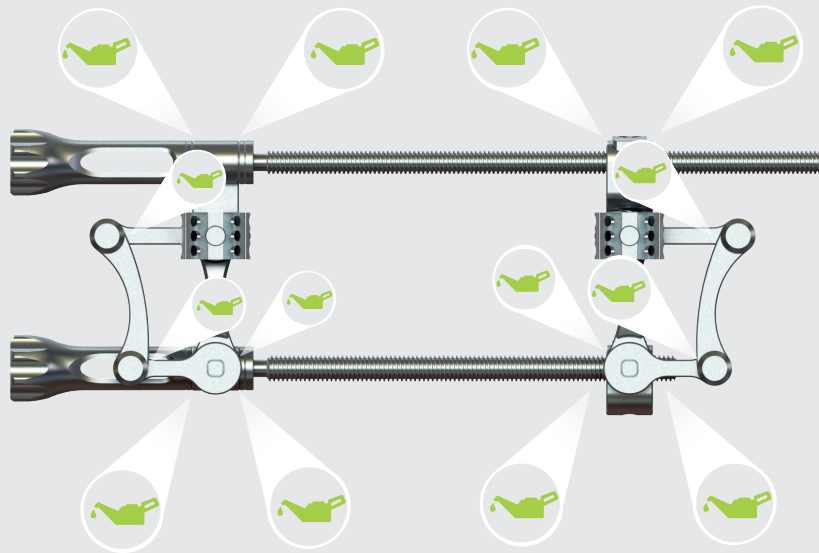
VERTICALE® MultiLocking

VI-5450

[VI-5450.1; VI-5450.2; VI-5450.3]



G)



 D30003

4/4

D30228.b.YY
20.04.2022

 D30204

 **Silony Medical GmbH**

Leinfelder Straße 60
70771 Leinfelden-Echterdingen

Tel +49 711 78 25 25 0

Fax +49 711 78 25 25 11

www.silony-medical.com

 elabeling.silony-medical.com/contact

CE

MADE IN GERMANY