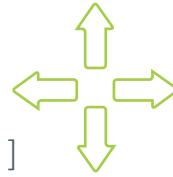


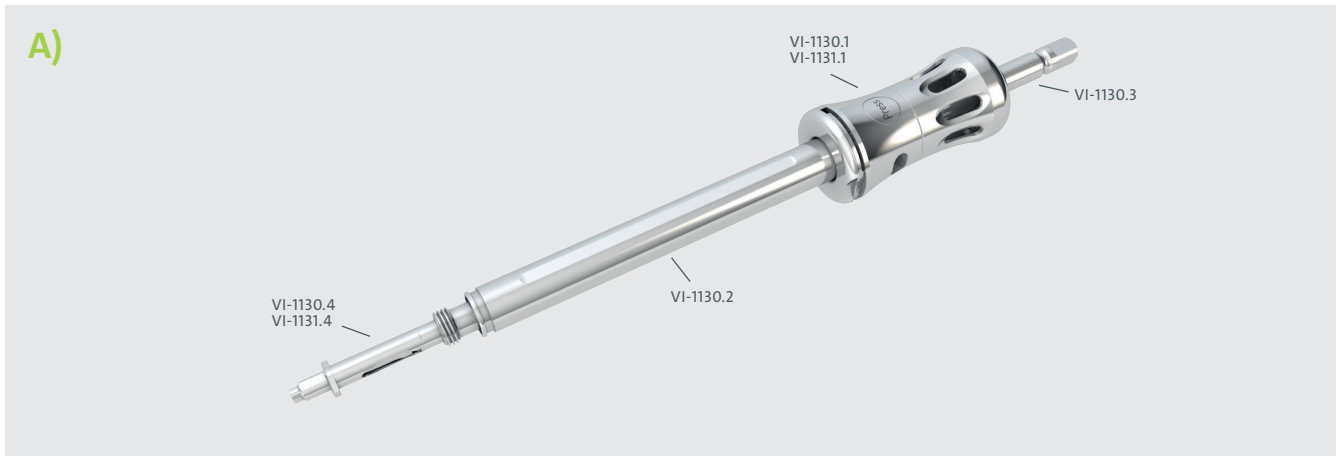
# VERTICALE®

VI-1130 / VI-1131

[ VI-1130.1; VI-1130.2; VI-1130.3; VI-1130.4; VI-1131.1; VI-1131.4 ]



**silony**  
MEDICAL



D60007

1/5

D60022.a.EN  
25.03.2020

D60000

**Silony Medical Corp.**

8200 NW 27th Street, Suite 104  
Doral, FL 33122, USA  
Phone +1 305 916 0016

[www.silony-medical.com](http://www.silony-medical.com)

**Silony Medical GmbH**

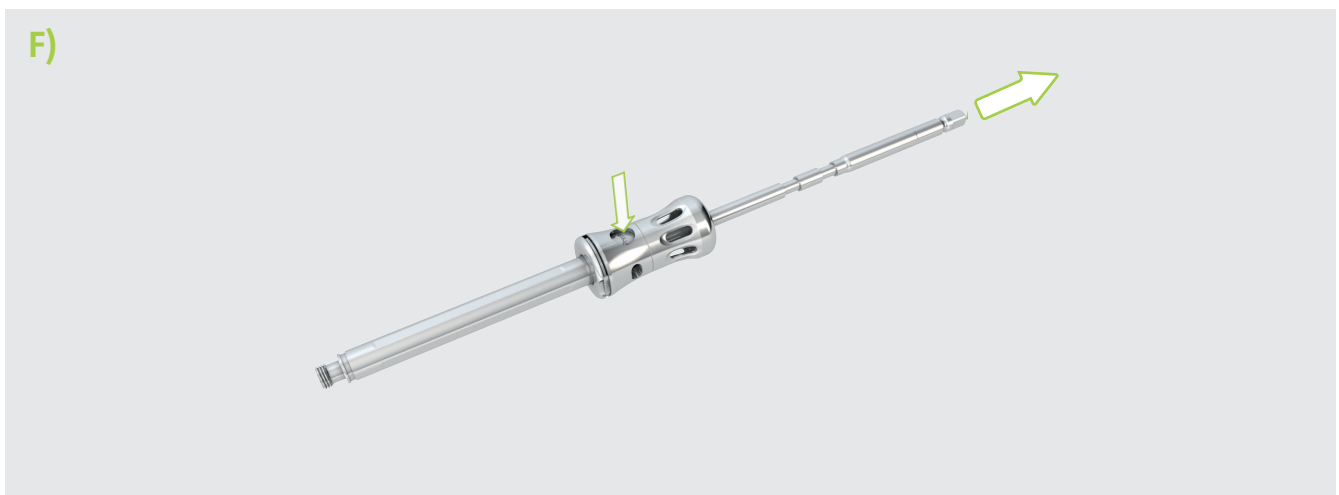
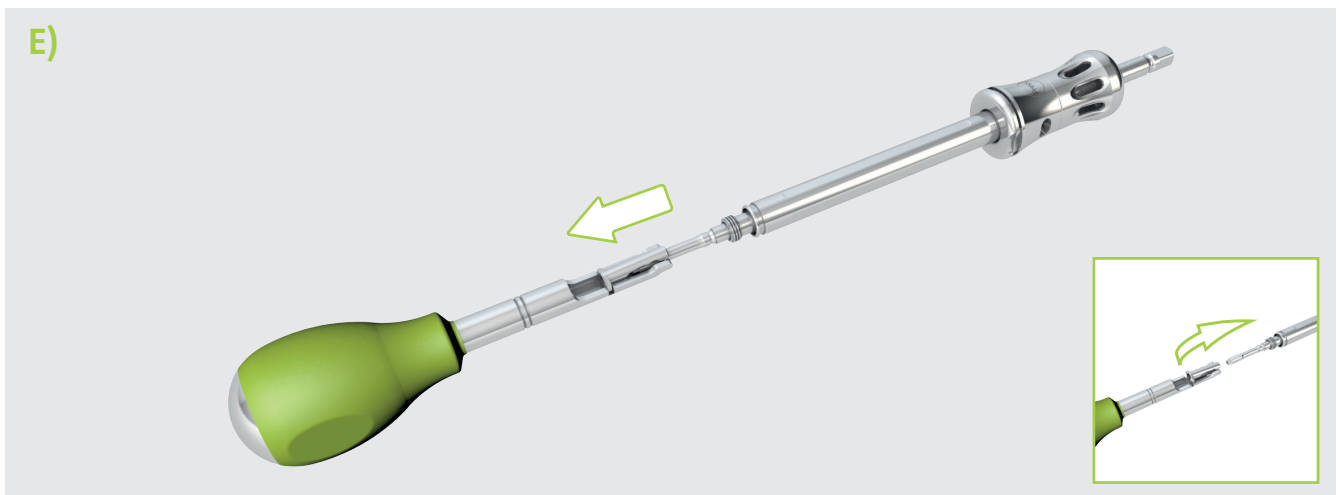
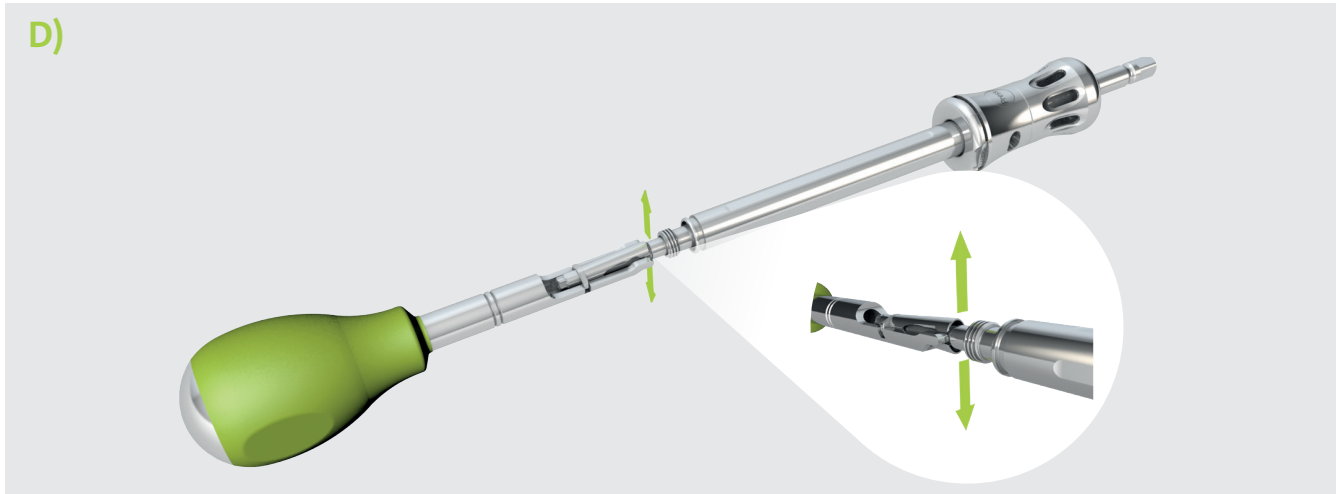
Leinfelder Straße 60  
70771 Leinfelden-Echterdingen, Germany  
Tel +49 711 78 25 25 0  
Fax +49 711 78 25 25 11

MADE IN GERMANY

# VERTICALE®

VI-1130 / VI-1131

[ VI-1130.1; VI-1130.2; VI-1130.3; VI-1130.4; VI-1131.1; VI-1131.4 ]



 D60007

2/5

D60022.a.EN  
25.03.2020

 D60000

## Silony Medical Corp.

8200 NW 27th Street, Suite 104  
Doral, FL 33122, USA  
Phone +1 305 916 0016



[www.silony-medical.com](http://www.silony-medical.com)

## Silony Medical GmbH

Leinfelder Straße 60  
70771 Leinfelden-Echterdingen, Germany  
Tel +49 711 78 25 25 0  
Fax +49 711 78 25 25 11

MADE IN GERMANY

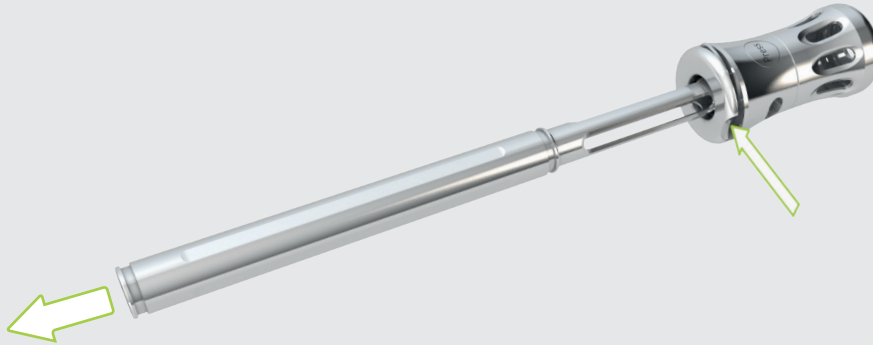
# VERTICALE®

VI-1130 / VI-1131

[ VI-1130.1; VI-1130.2; VI-1130.3; VI-1130.4; VI-1131.1; VI-1131.4 ]



G)



H)



 D60007

3/5

D60022.a.EN  
25.03.2020

 D60000

 **Silony Medical Corp.**

8200 NW 27th Street, Suite 104  
Doral, FL 33122, USA  
Phone +1 305 916 0016



[www.silony-medical.com](http://www.silony-medical.com)

 **Silony Medical GmbH**

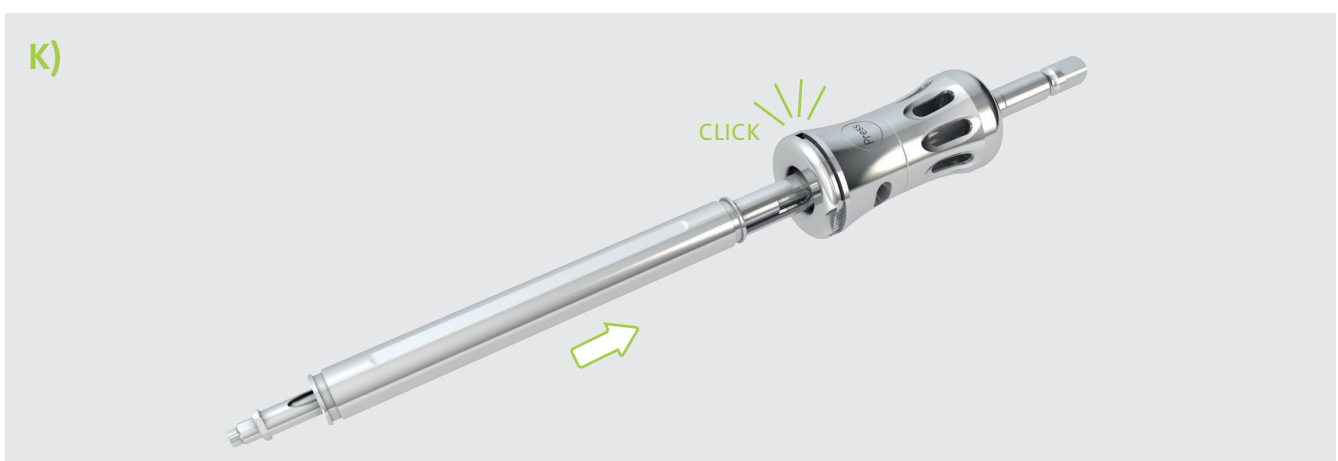
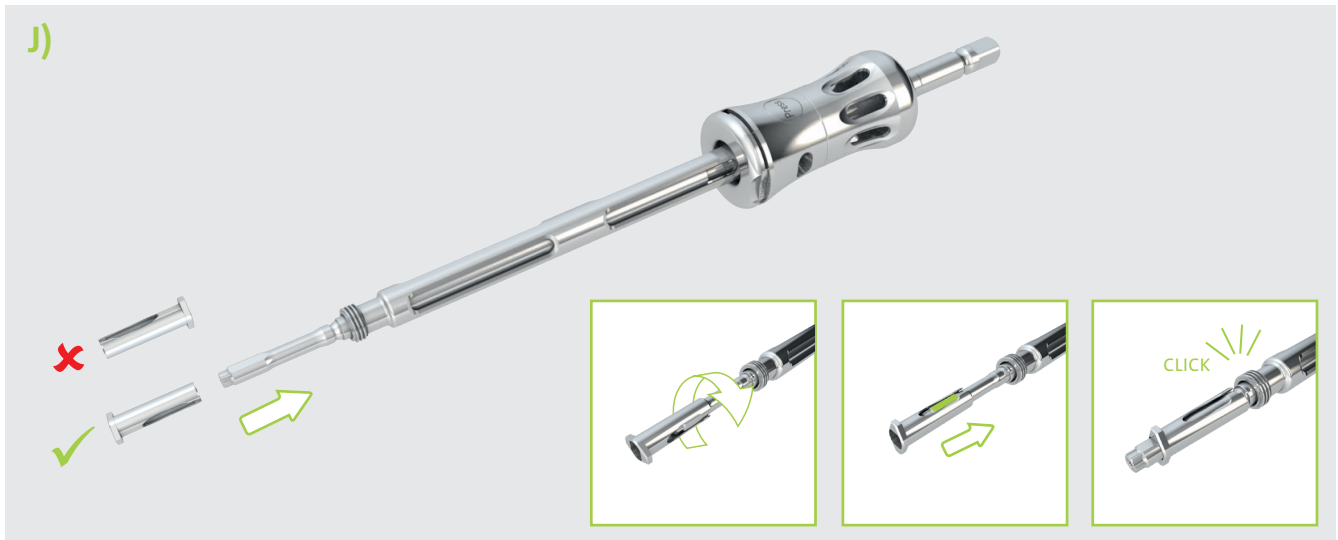
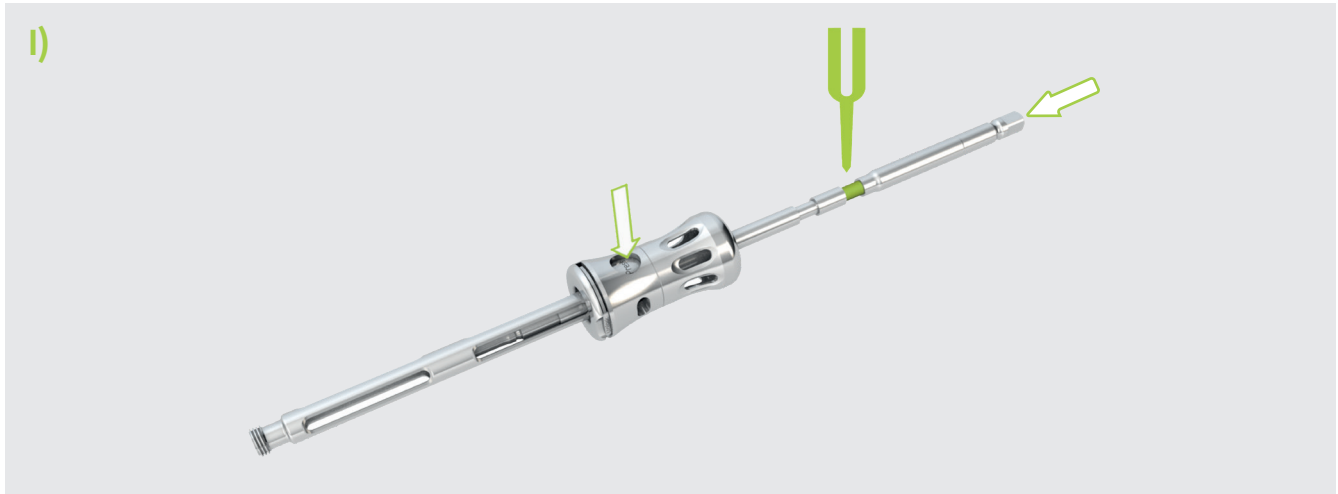
Leinfelder Straße 60  
70771 Leinfelden-Echterdingen, Germany  
Tel +49 711 78 25 25 0  
Fax +49 711 78 25 25 11

MADE IN GERMANY

# VERTICALE®

VI-1130 / VI-1131

[ VI-1130.1; VI-1130.2; VI-1130.3; VI-1130.4; VI-1131.1; VI-1131.4 ]



D60007

4/5

D60022.a.EN  
25.03.2020

D60000

**Silony Medical Corp.**  
8200 NW 27th Street, Suite 104  
Doral, FL 33122, USA  
Phone +1 305 916 0016

US REP

[www.silony-medical.com](http://www.silony-medical.com)

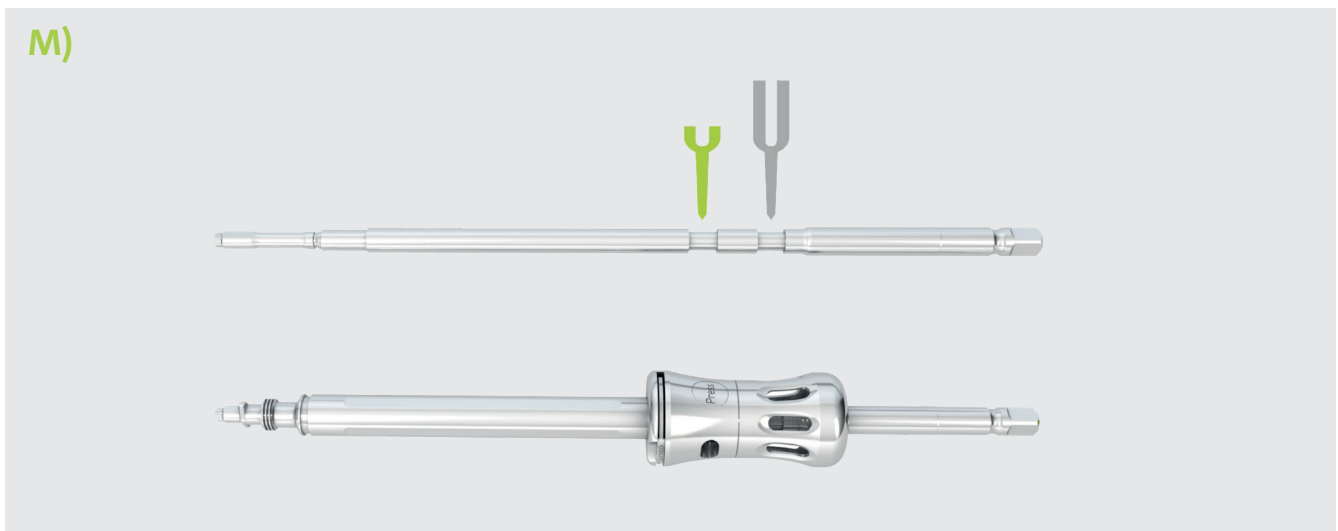
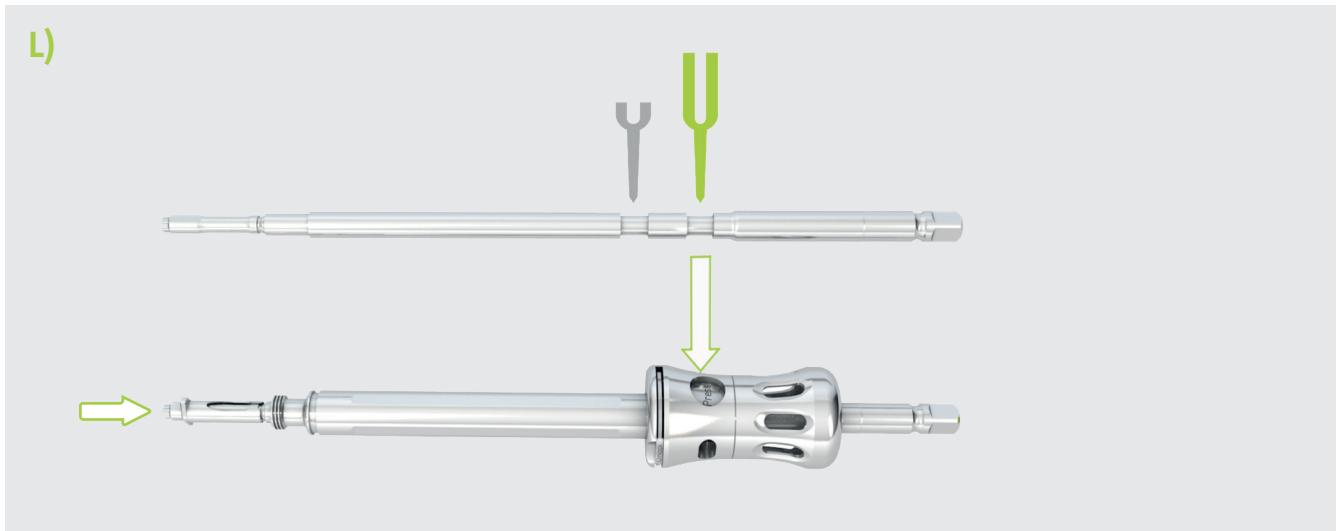
**Silony Medical GmbH**  
Leinfelder Straße 60  
70771 Leinfelden-Echterdingen, Germany  
Tel +49 711 78 25 25 0  
Fax +49 711 78 25 25 11

MADE IN GERMANY

# VERTICALE®

VI-1130 / VI-1131

[ VI-1130.1; VI-1130.2; VI-1130.3; VI-1130.4; VI-1131.1; VI-1131.4 ]



 D60007

5/5

D60022.a.EN  
25.03.2020

 D60000

## Silony Medical Corp.

8200 NW 27th Street, Suite 104  
Doral, FL 33122, USA  
Phone +1 305 916 0016



[www.silony-medical.com](http://www.silony-medical.com)

## Silony Medical GmbH

Leinfelder Straße 60  
70771 Leinfelden-Echterdingen, Germany  
Tel +49 711 78 25 25 0  
Fax +49 711 78 25 25 11

MADE IN GERMANY