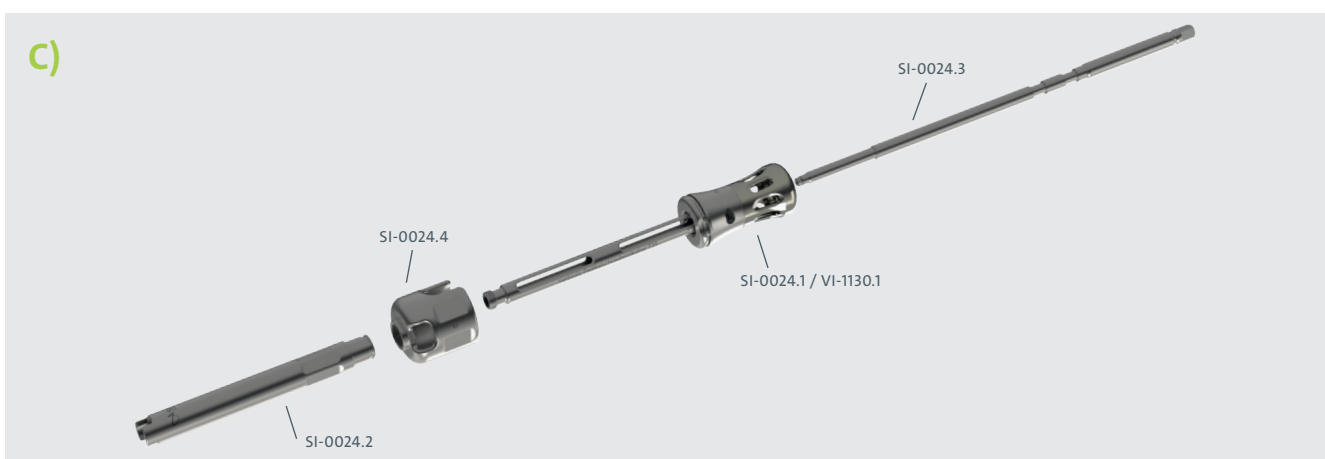
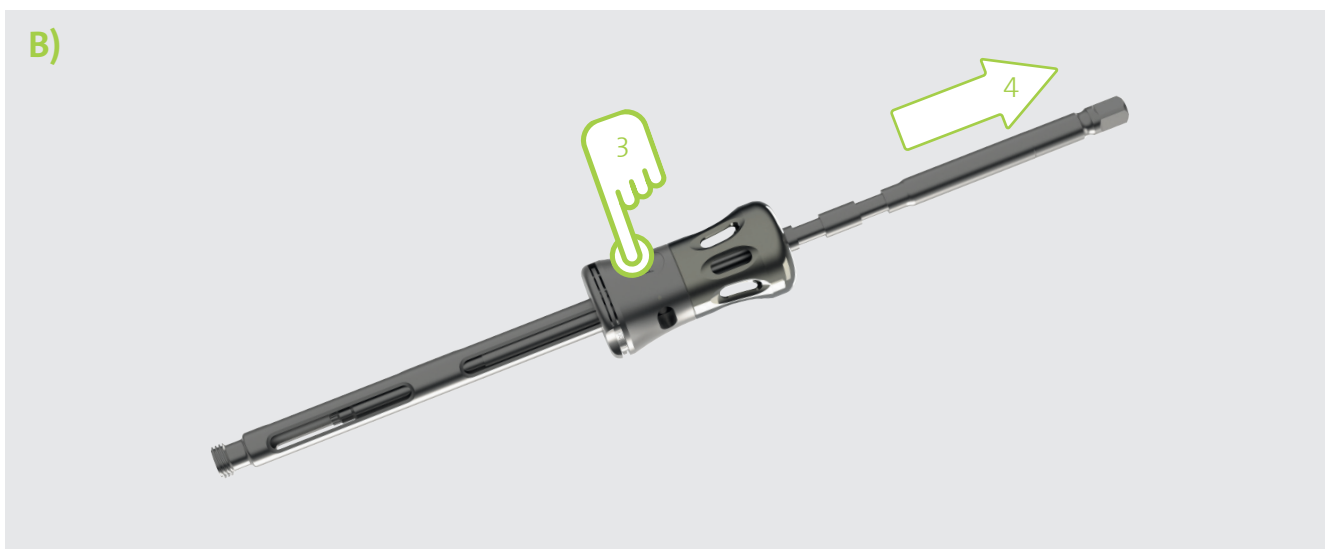
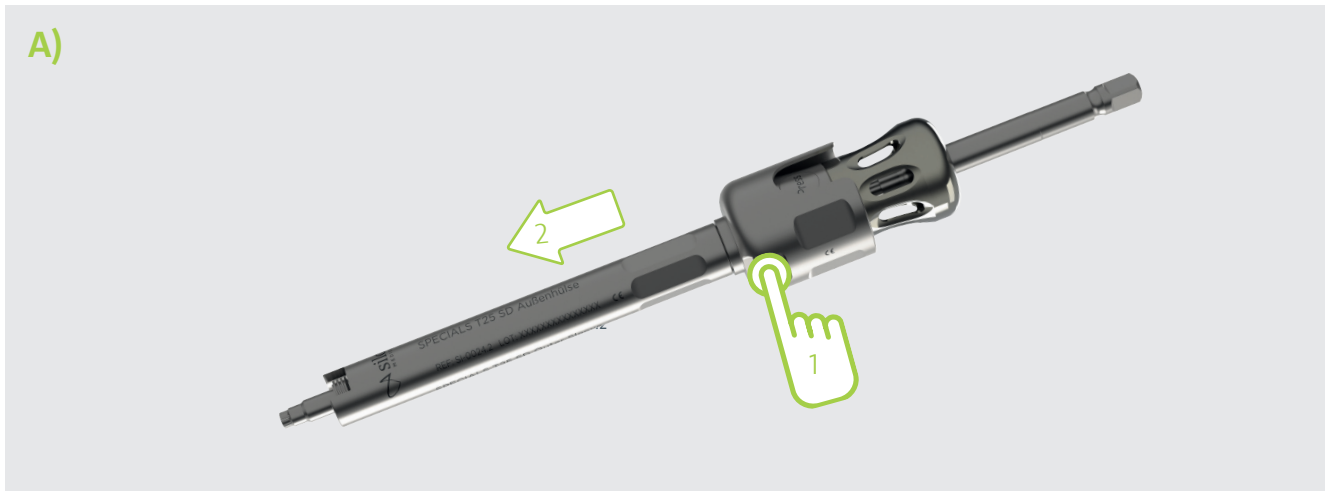
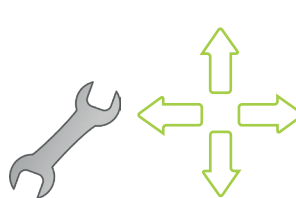


SI-0024

[SI-0024.1; SI-0024.2; SI-0024.3; SI-0024.4

VI-1130.1]



D60007

1/2

D60046.a.EN
07.08.2020

D60000

Silony Medical Corp.

8200 NW 27th Street, Suite 104
Doral, FL 33122, USA
Phone +1 305 916 0016



www.silony-medical.com

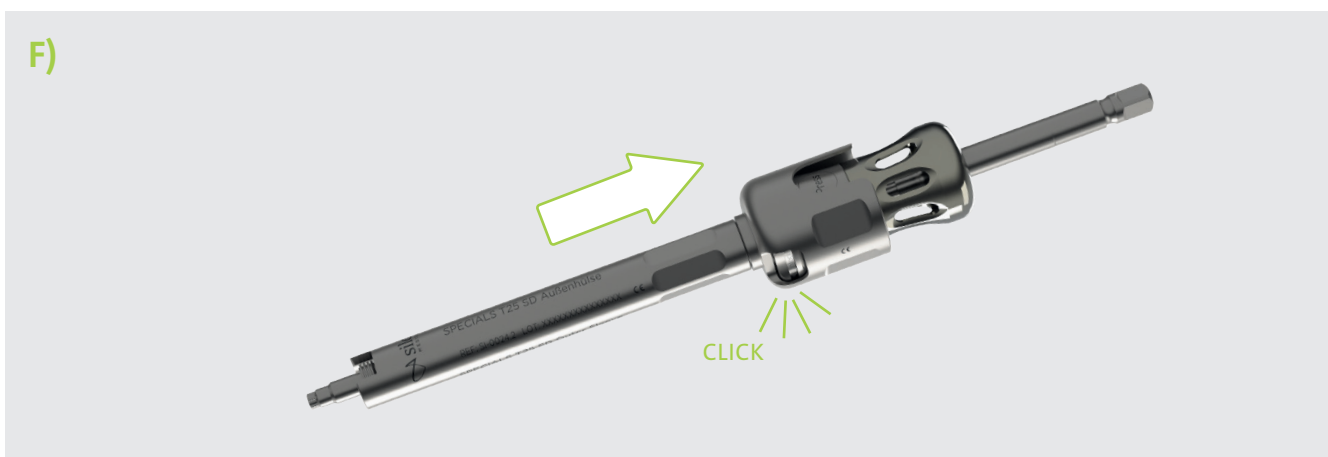
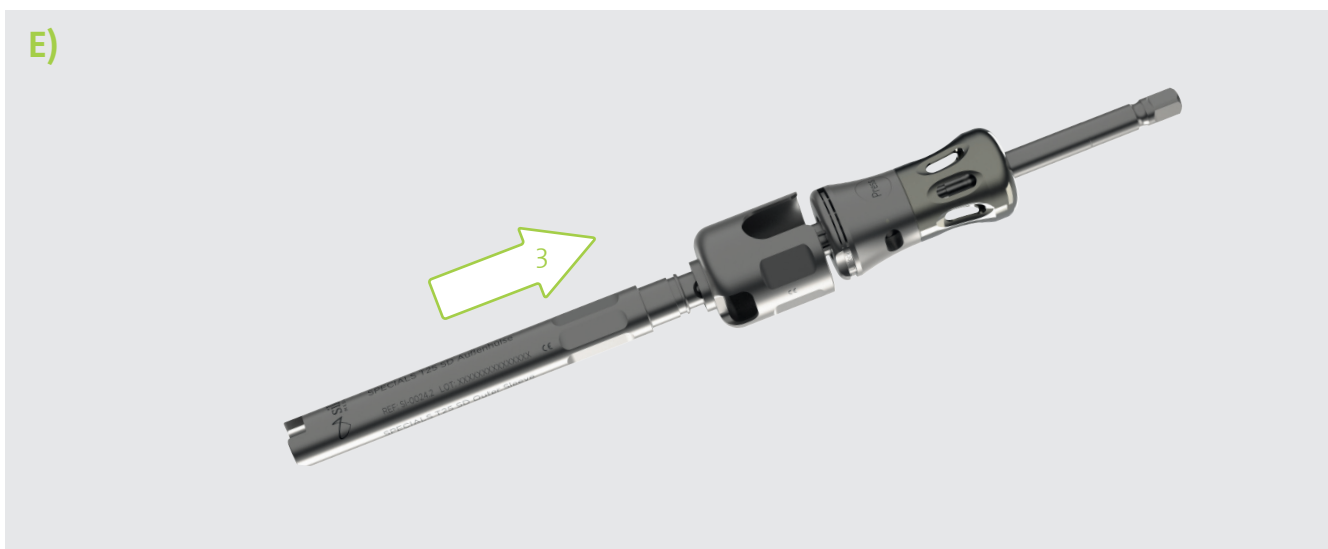
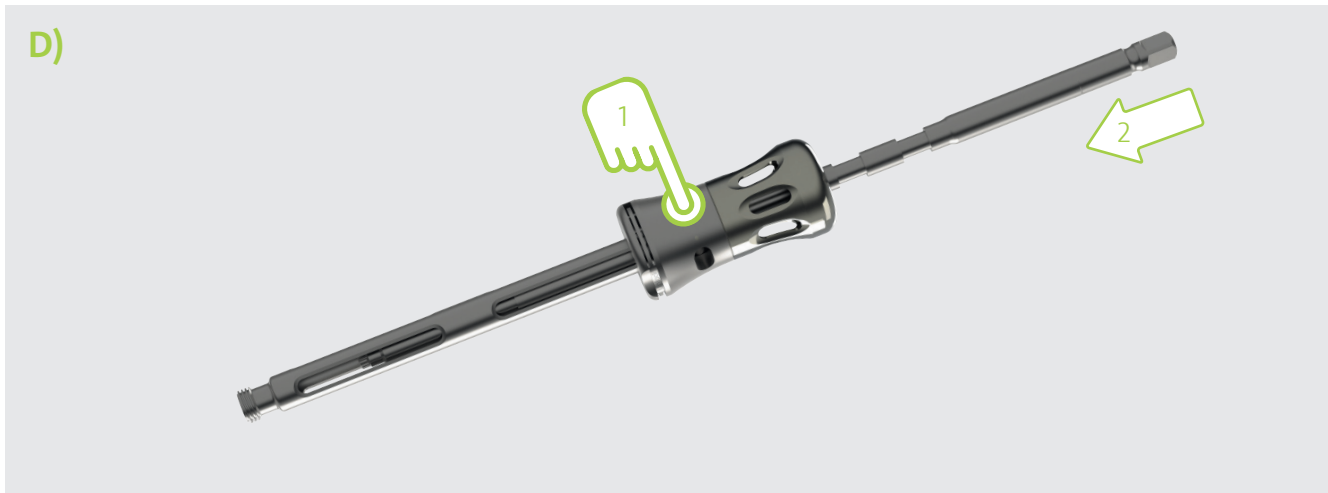
Silony Medical GmbH

Leinfelder Straße 60
70771 Leinfelden-Echterdingen, Germany
Tel +49 711 78 25 25 0
Fax +49 711 78 25 25 11

MADE IN GERMANY

SI-0024

[SI-0024.1; SI-0024.2; SI-0024.3; SI-0024.4
VI-1130.1]



 D60007

2/2

D60046.a.EN
07.08.2020

 D60000

 **Silony Medical Corp.**

8200 NW 27th Street, Suite 104
Doral, FL 33122, USA
Phone +1 305 916 0016



www.silony-medical.com

 **Silony Medical GmbH**

Leinfelder Straße 60
70771 Leinfelden-Echterdingen, Germany
Tel +49 711 78 25 25 0
Fax +49 711 78 25 25 11

MADE IN GERMANY