

SI-0023

[SI-0023.1; SI-0023.2; SI-0023.3]

Reduction and fixation of the set screw with the reduction set screw starter

SI-0023
SPECIAL Reduction Set Screw
Starter



After placement of the VERTICALE set screw on the self-retaining Torx of the SPECIAL reduction set screw starter (Fig. 1), it can be pushed into the reduction insert in the VERTICALE reduction instrument until the teeth are completely locked.

The reduction process is conducted by turning the handle of the SPECIAL reduction set screw starter clockwise (Fig. 2). This reduces the rod into the head of the screw and at the same time corrects the position of the vertebral body to posterior (Fig. 3).

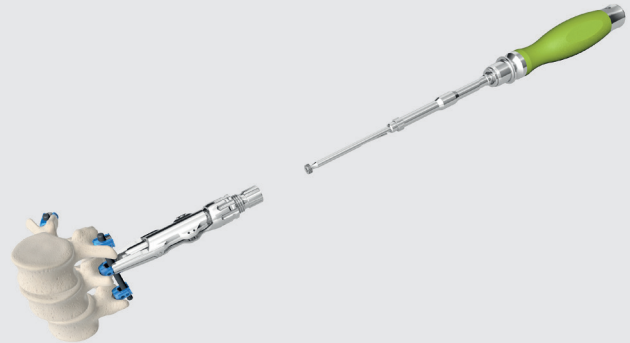


Fig. 1

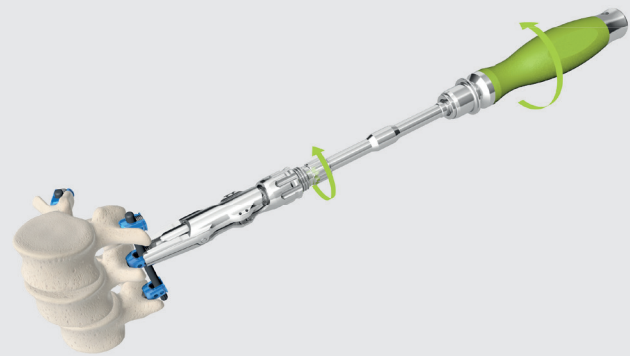


Fig. 2

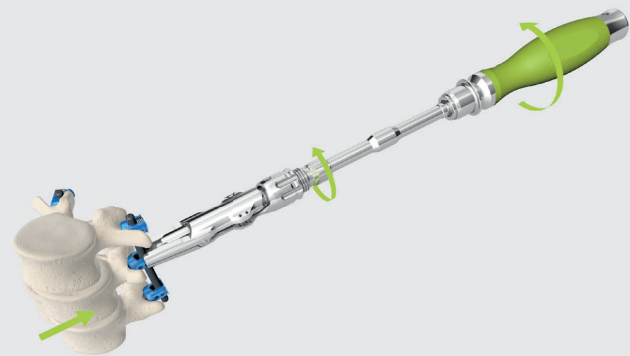


Fig. 3

 D60007

 D60000


1/4

D60049.a.EN
13.11.2019

 **Silony Medical Corp.**
8200 NW 27th Street, Suite 104
Doral, FL 33122, USA
Phone +1 305 916 0016



www.silony-medical.com

 **Silony Medical GmbH**
Leinfelder Straße 60
70771 Leinfelden-Echterdingen, Germany
Tel +49 711 78 25 25 0
Fax +49 711 78 25 25 11

MADE IN GERMANY

SI-0023

[SI-0023.1; SI-0023.2; SI-0023.3]

Reduction and fixation of the set screw with the reduction set screw starter

SI-0023
SPECIAL Reduction Set Screw
Starter



In order to fix the rod with the previously placed VERTICALE set screw, the handle is unlocked by pulling the coupling (Fig. 4) upwards and pushed in the direction of the screw (Fig. 5). Now the VERTICALE set screw can be placed and tightened by turning the handle of the SPECIAL reduction set screw starter clockwise (Fig. 6).

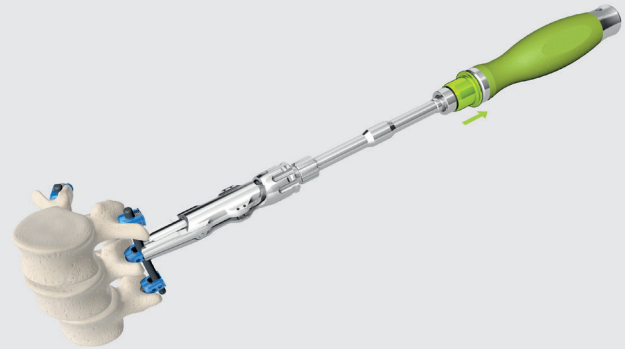


Fig. 4

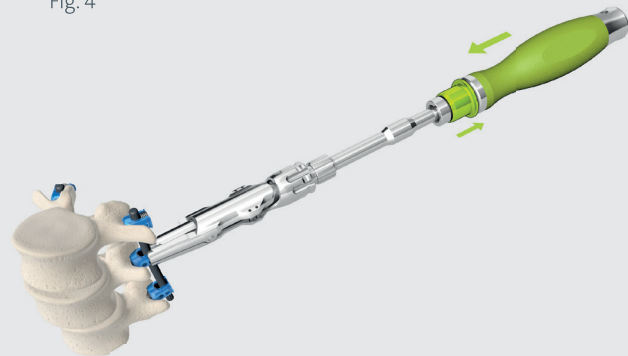


Fig. 5

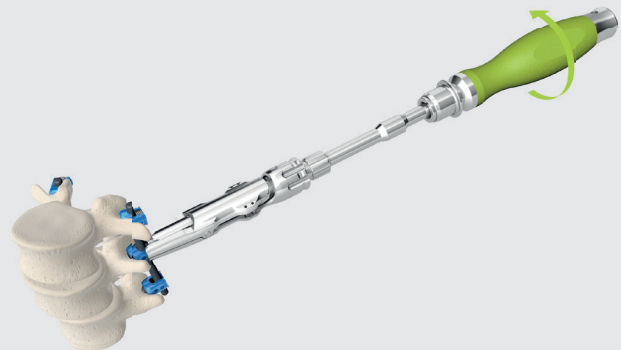


Fig. 6

 D60007

2/4

D60049.a.EN
12.11.2019

 D60000

Silony Medical Corp.

8200 NW 27th Street, Suite 104
Doral, FL 33122, USA
Phone +1 305 916 0016



www.silony-medical.com

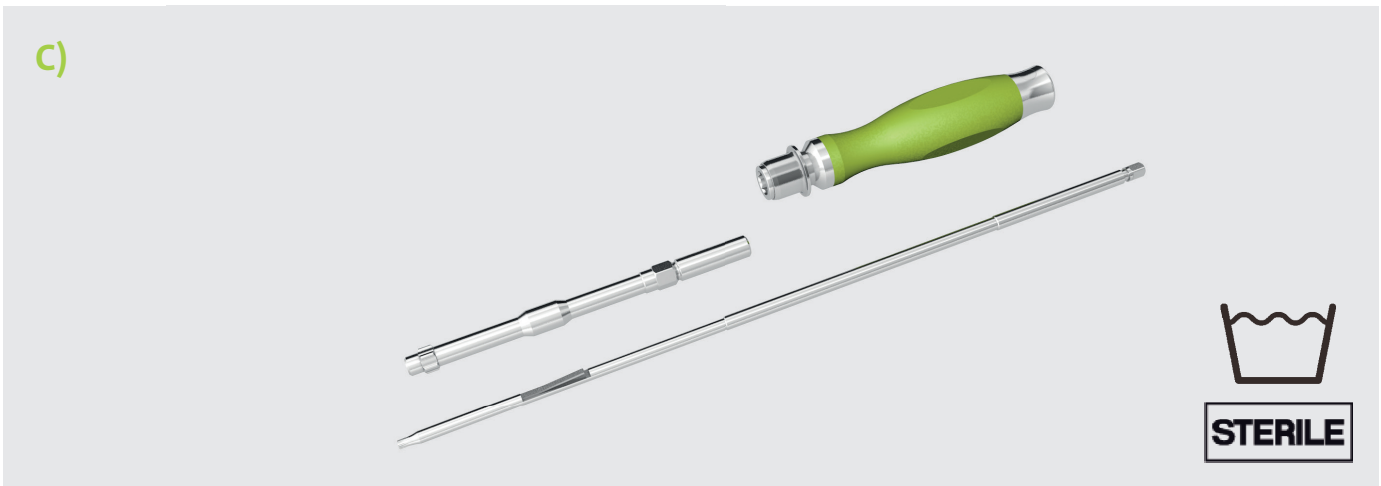
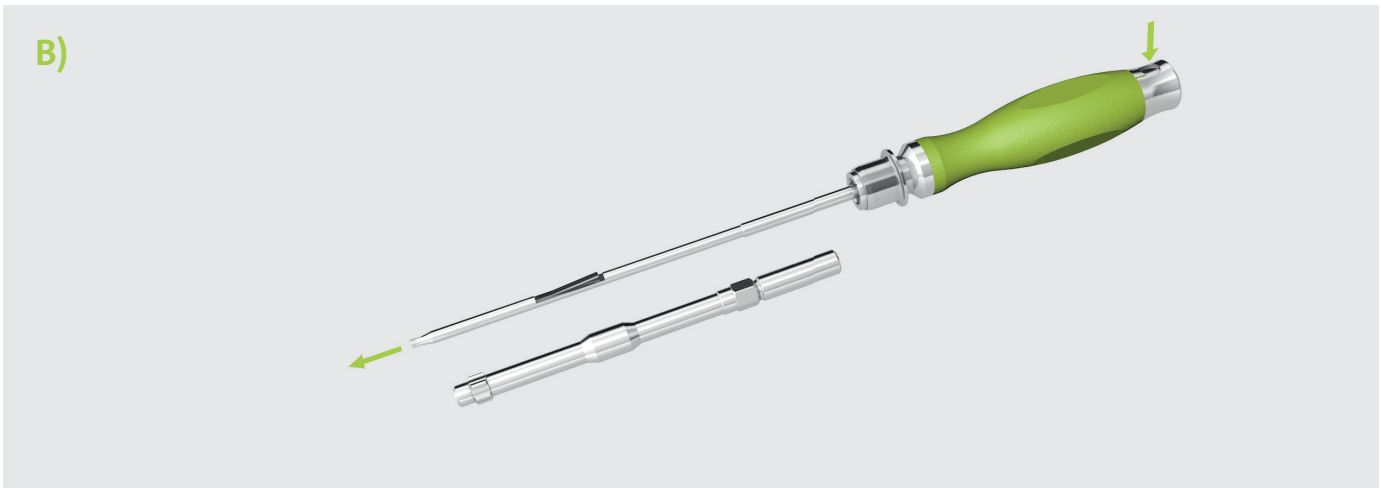
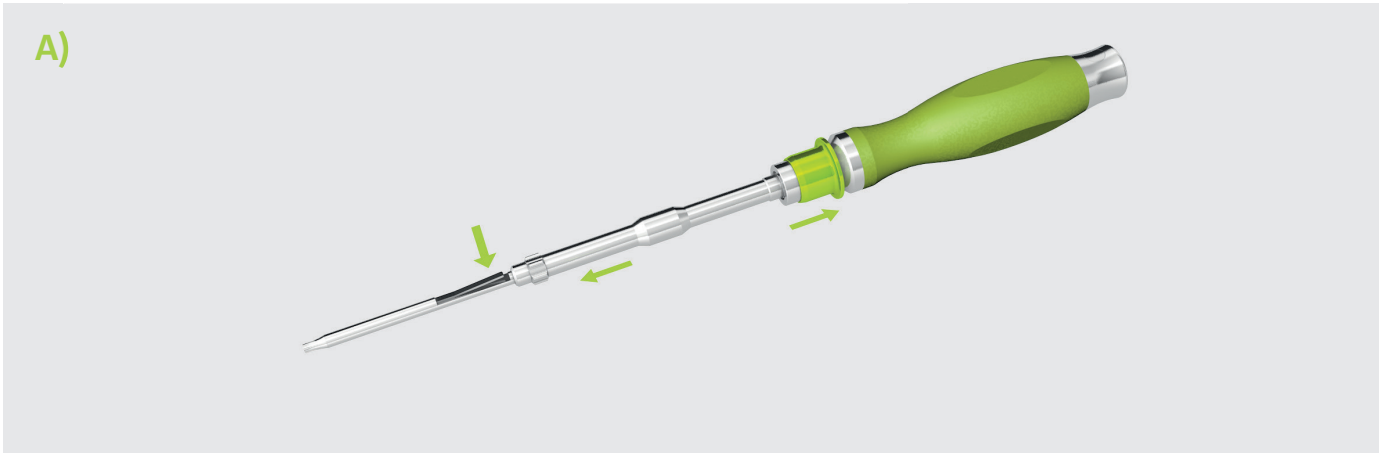
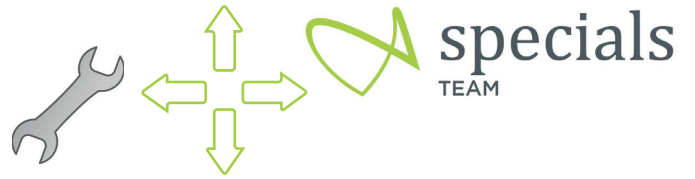
Silony Medical GmbH

Leinfelder Straße 60
70771 Leinfelden-Echterdingen, Germany
Tel +49 711 78 25 25 0
Fax +49 711 78 25 25 11

MADE IN GERMANY

SI-0023

[SI-0023.1; SI-0023.2; SI-0023.3]



D60007

3/4

D60049.a.EN
13.11.2019

D60000

Silony Medical Corp.
8200 NW 27th Street, Suite 104
Doral, FL 33122, USA
Phone +1 305 916 0016

US REP

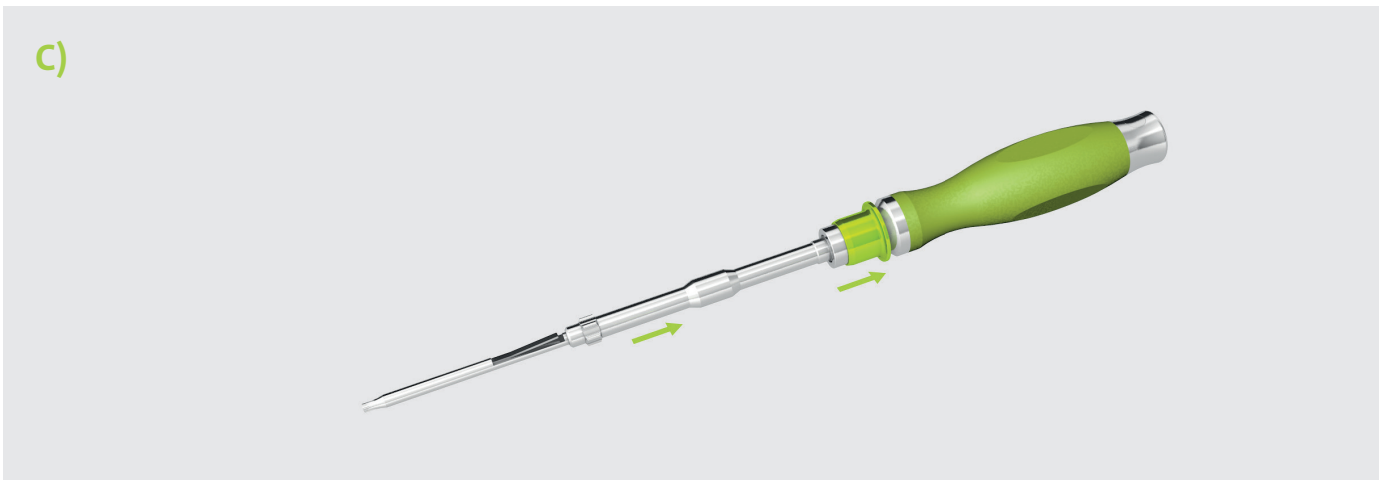
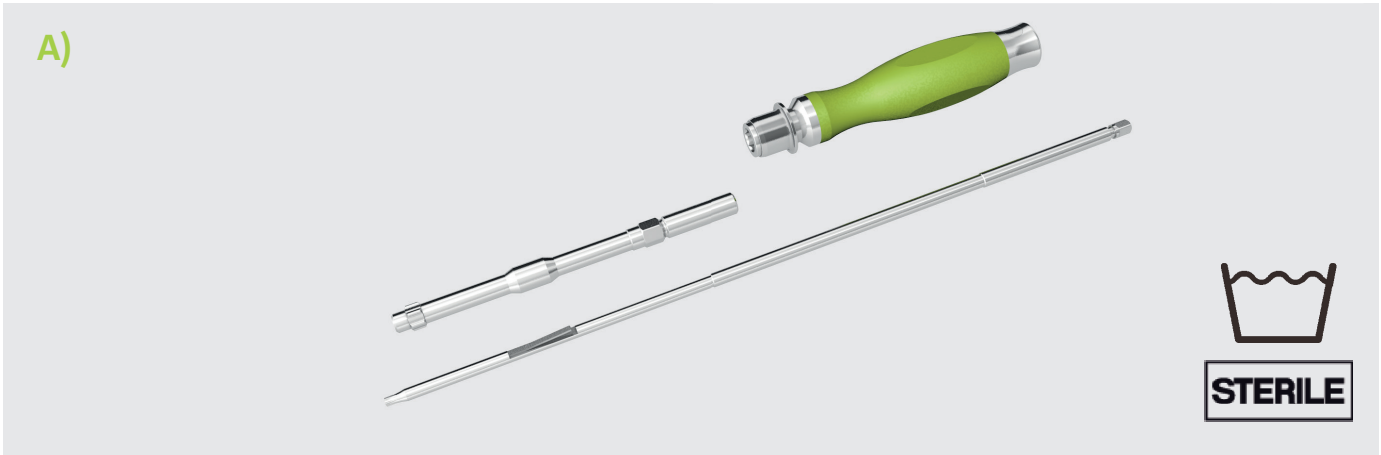
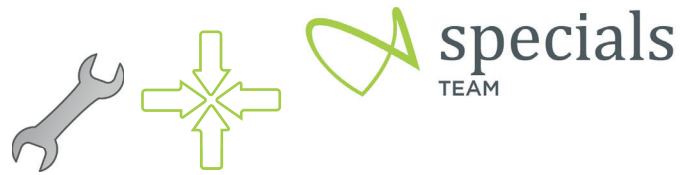
www.silony-medical.com

Silony Medical GmbH
Leinfelder Straße 60
70771 Leinfelden-Echterdingen, Germany
Tel +49 711 78 25 25 0
Fax +49 711 78 25 25 11

MADE IN GERMANY

SI-0023

[SI-0023.1; SI-0023.2; SI-0023.3]



 D60007

4/4


D60049.a.EN
13.11.2019

 D60000

 **Silony Medical Corp.**
8200 NW 27th Street, Suite 104
Doral, FL 33122, USA
Phone +1 305 916 0016



www.silony-medical.com

 **Silony Medical GmbH**
Leinfelder Straße 60
70771 Leinfelden-Echterdingen, Germany
Tel +49 711 78 25 25 0
Fax +49 711 78 25 25 11

MADE IN GERMANY