

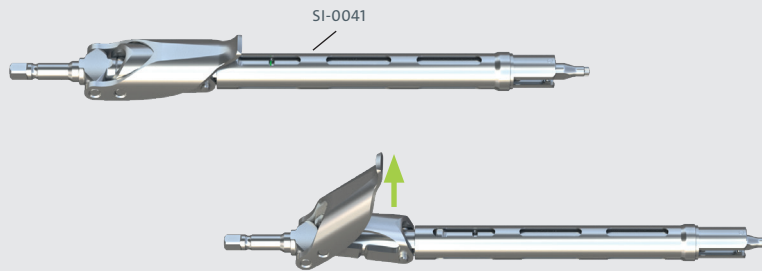
SI-0041

[SI-0041.1; SI-0041.2; SI-0041.3; SI-0041.4; SI-0041.5]

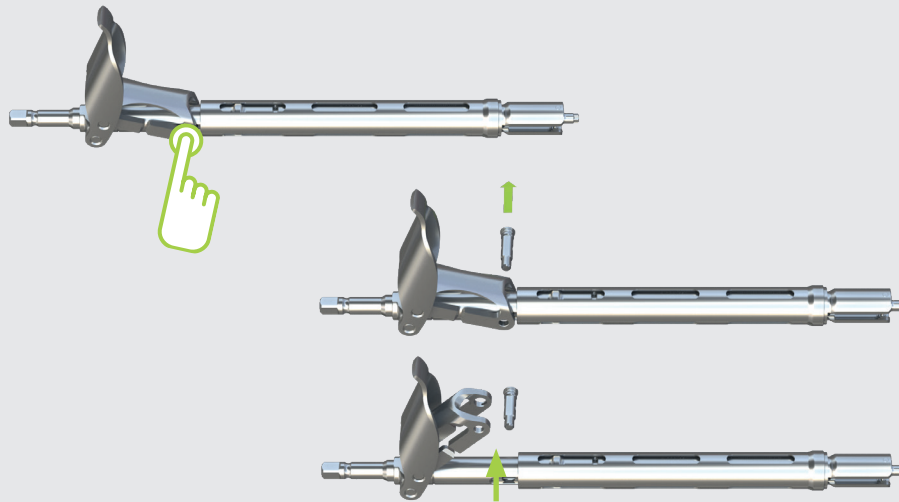


specials
TEAM

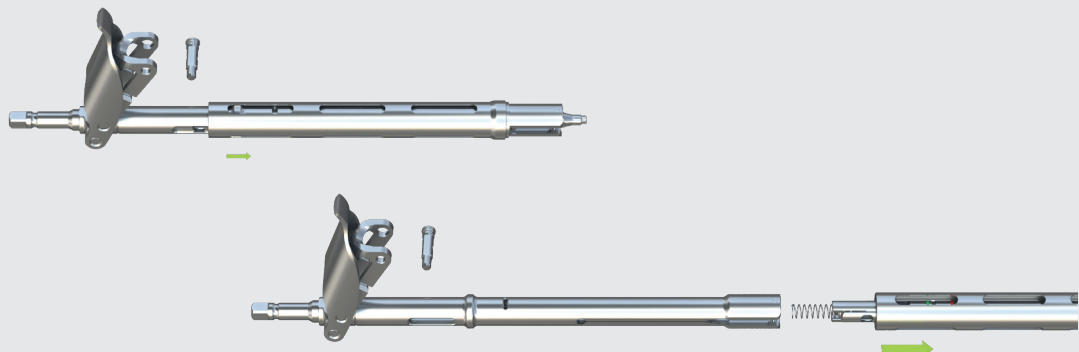
A)



B)



C)



D60007

1/4

D60054.a.YY
12.08.2019

D60000

Silony Medical Corp.

8200 NW 27th Street, Suite 104
Doral, FL 33122, USA
Phone +1 305 916 0016

www.silony-medical.com

Silony Medical GmbH

Leinfelder Straße 60
70771 Leinfelden-Echterdingen, Germany
Tel +49 711 78 25 25 0
Fax +49 711 78 25 25 11

MADE IN GERMANY

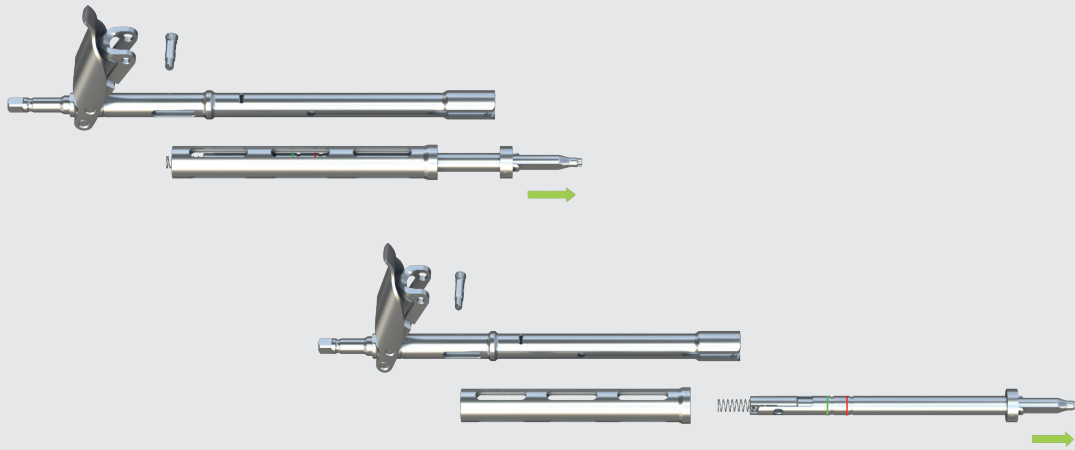
SI-0041

[SI-0041.1; SI-0041.2; SI-0041.3; SI-0041.4; SI-0041.5]

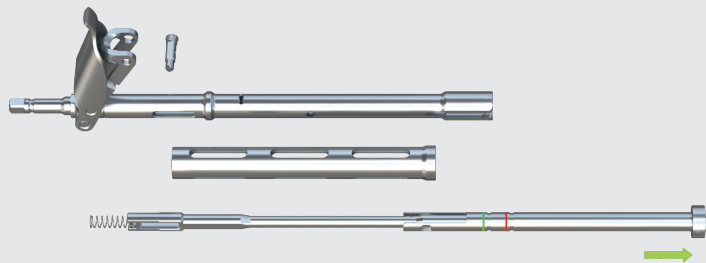


specials
TEAM

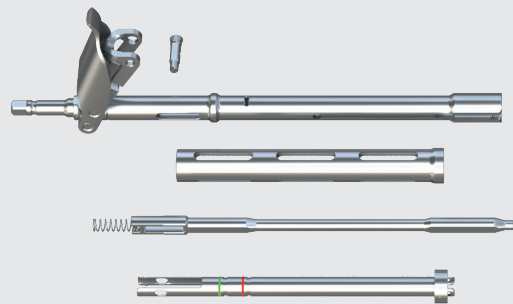
D)



E)



F)



D60007

2/4

D60054.a.YY
12.08.2019

D60000

Silony Medical Corp.
8200 NW 27th Street, Suite 104
Doral, FL 33122, USA
Phone +1 305 916 0016

US REP

www.silony-medical.com

Silony Medical GmbH
Leinfelder Straße 60
70771 Leinfelden-Echterdingen, Germany
Tel +49 711 78 25 25 0
Fax +49 711 78 25 25 11

MADE IN GERMANY

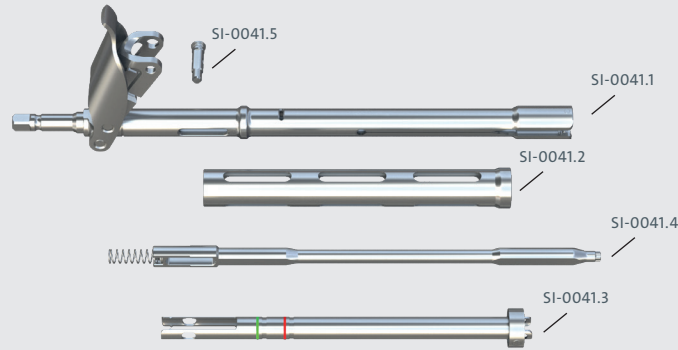
SI-0041

[SI-0041.1; SI-0041.2; SI-0041.3; SI-0041.4; SI-0041.5]

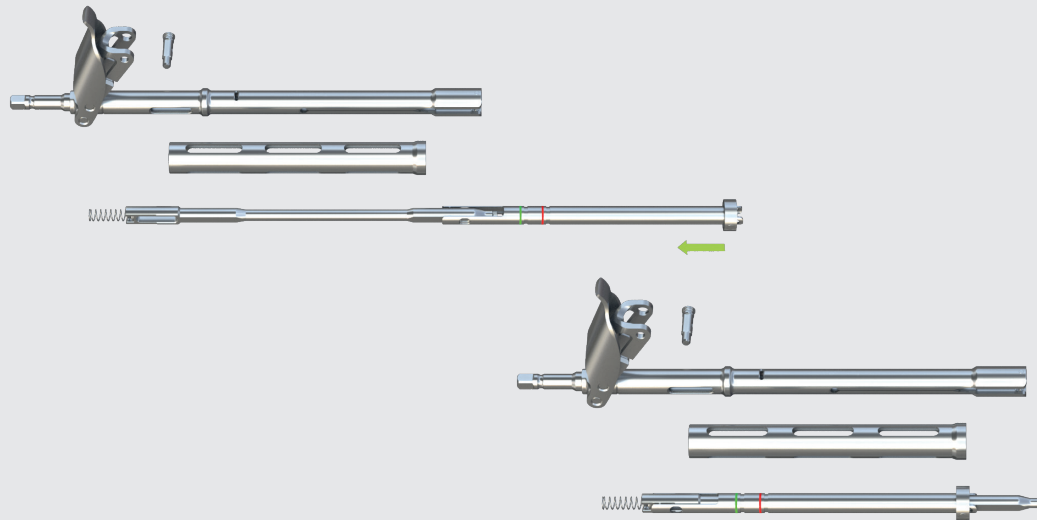


specials
TEAM

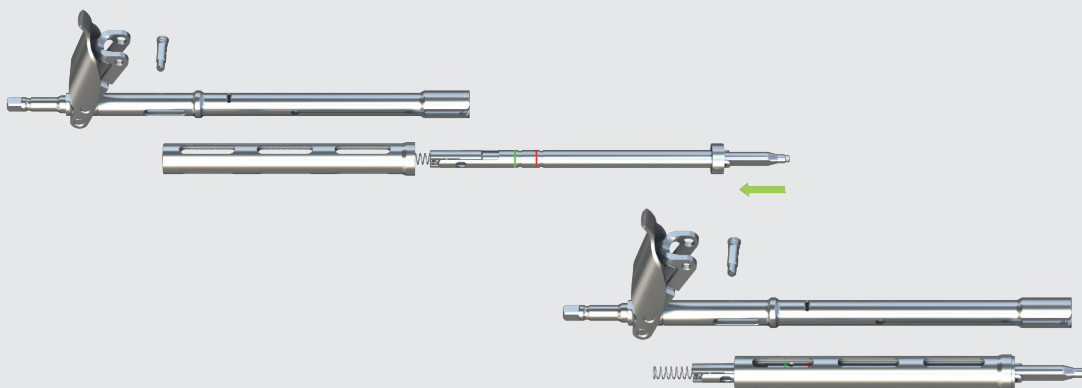
A)



B)



C)



D60007

3/4

D60054.a.YY
12.08.2019

D60000

Silony Medical Corp.
8200 NW 27th Street, Suite 104
Doral, FL 33122, USA
Phone +1 305 916 0016

www.silony-medical.com

Silony Medical GmbH
Leinfelder Straße 60
70771 Leinfelden-Echterdingen, Germany
Tel +49 711 78 25 25 0
Fax +49 711 78 25 25 11

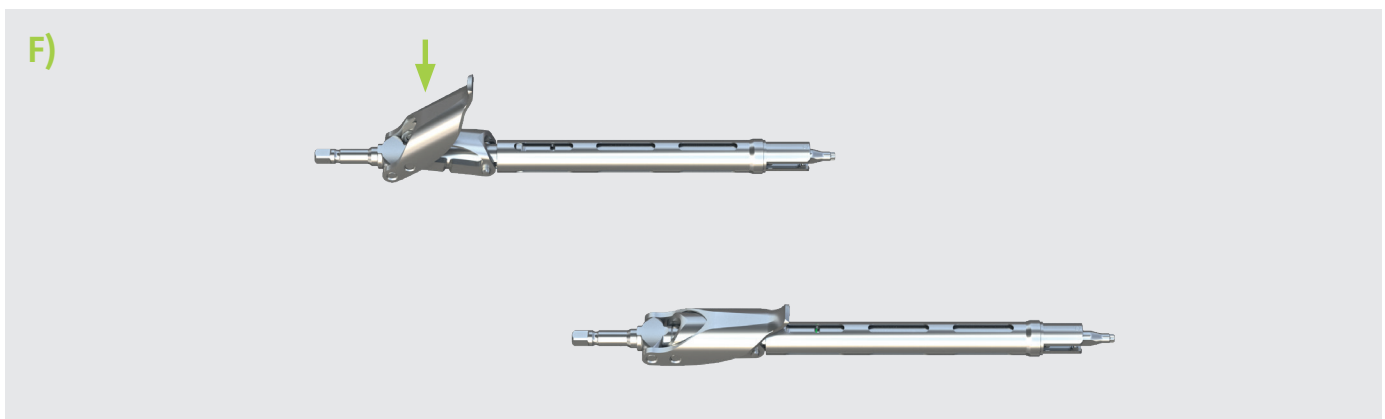
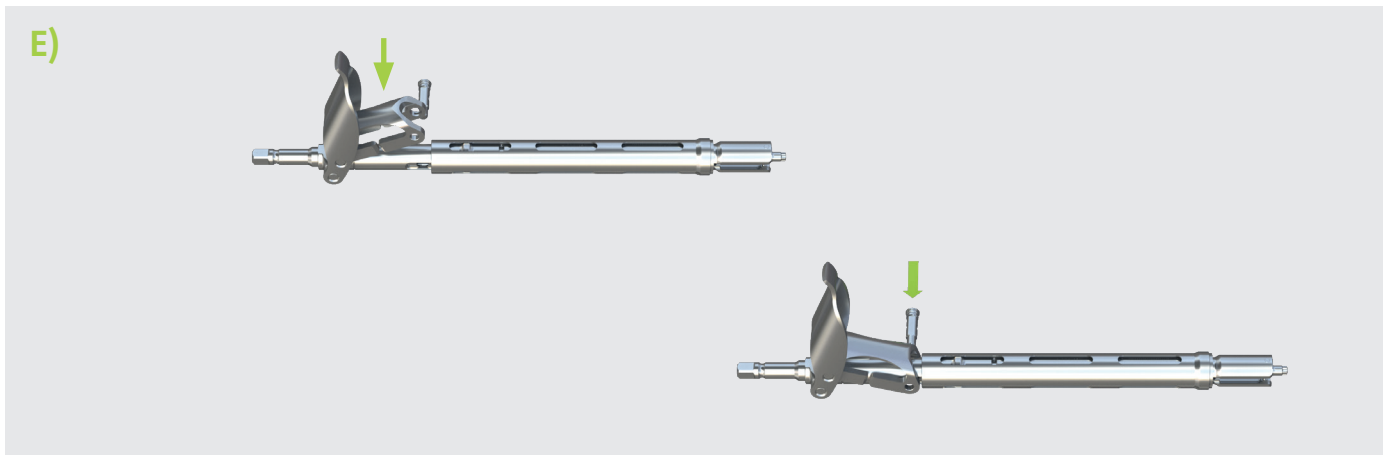
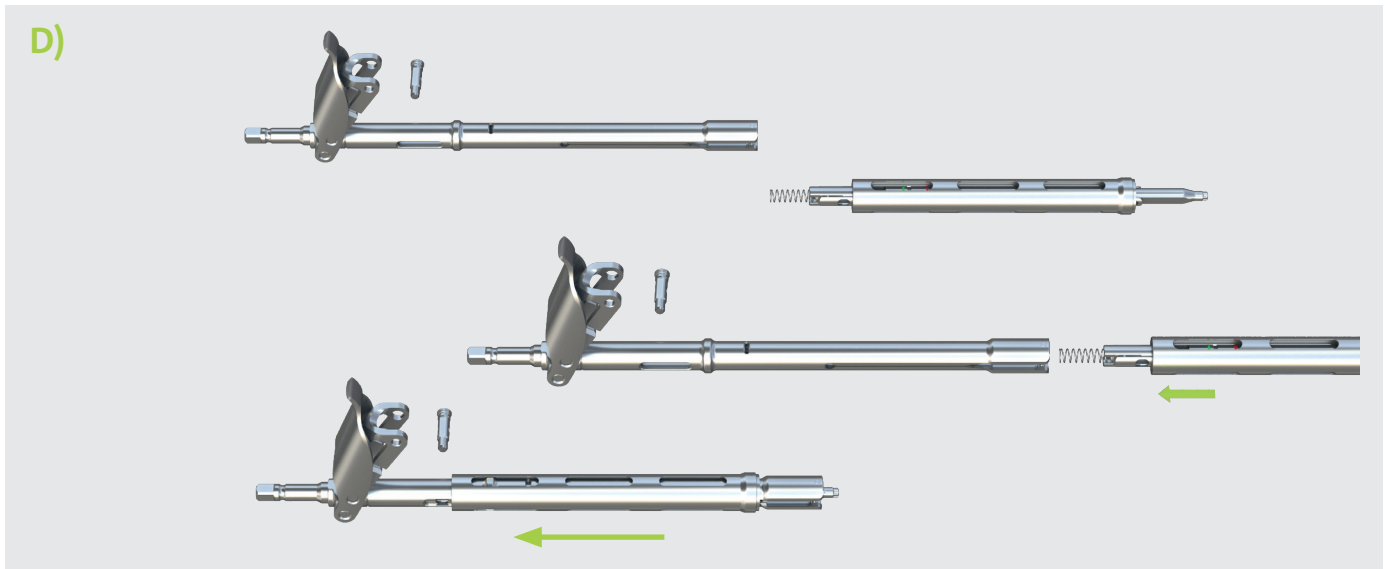
MADE IN GERMANY

SI-0041

[SI-0041.1; SI-0041.2; SI-0041.3; SI-0041.4; SI-0041.5]



specials
TEAM



D60007

4/4

D60054.a.YY
12.08.2019

D60000

Silony Medical Corp.

8200 NW 27th Street, Suite 104
Doral, FL 33122, USA
Phone +1 305 916 0016

US REP

Silony Medical GmbH

Leinfelder Straße 60
70771 Leinfelden-Echterdingen, Germany
Tel +49 711 78 25 25 0
Fax +49 711 78 25 25 11

MADE IN GERMANY

www.silony-medical.com