

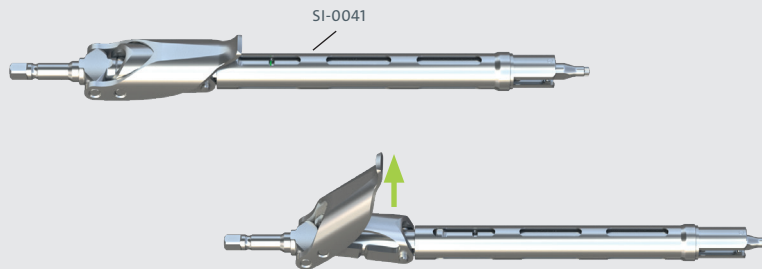
SI-0041

[SI-0041.1; SI-0041.2; SI-0041.3; SI-0041.4; SI-0041.5]

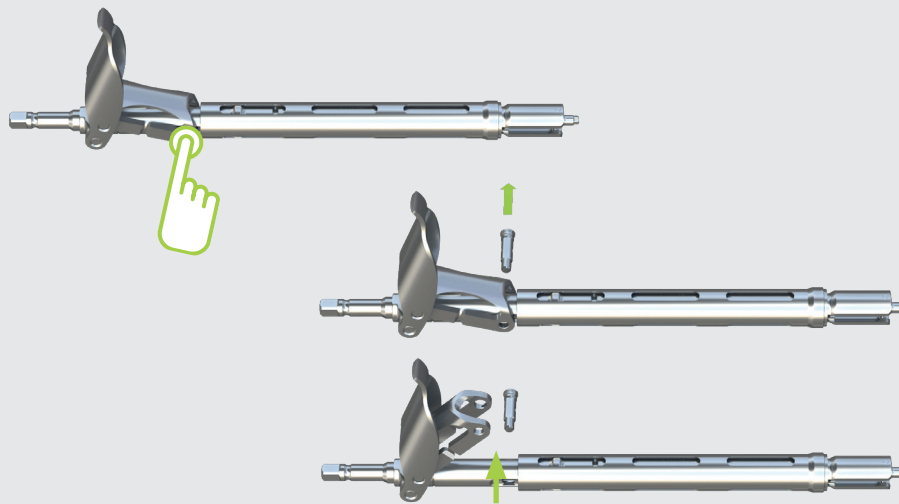


specials
TEAM

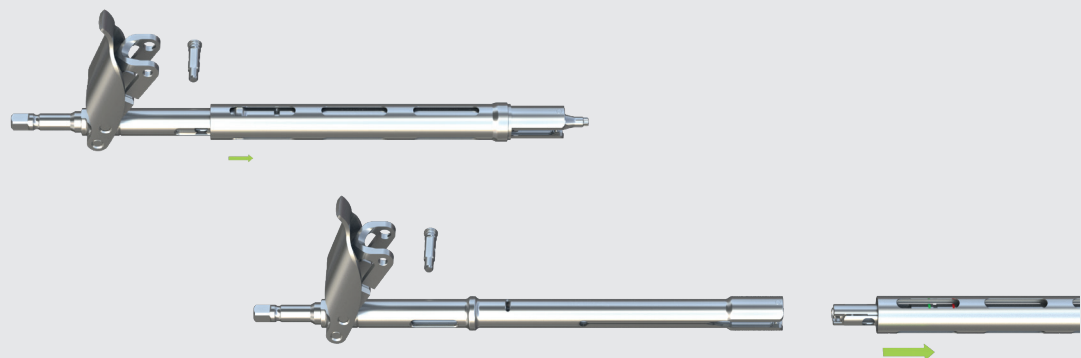
A)



B)



C)



D60007

1/4

D60054.b.YY
29.09.2022

D60000

This information is only intended for the USA and its territories.

Silony Medical GmbH

elabeling.silony-medical.com/contact

Leinfelder Straße 60
70771 Leinfelden-Echterdingen

Tel +49 711 78 25 25 0

Fax +49 711 78 25 25 11

www.silony-medical.com

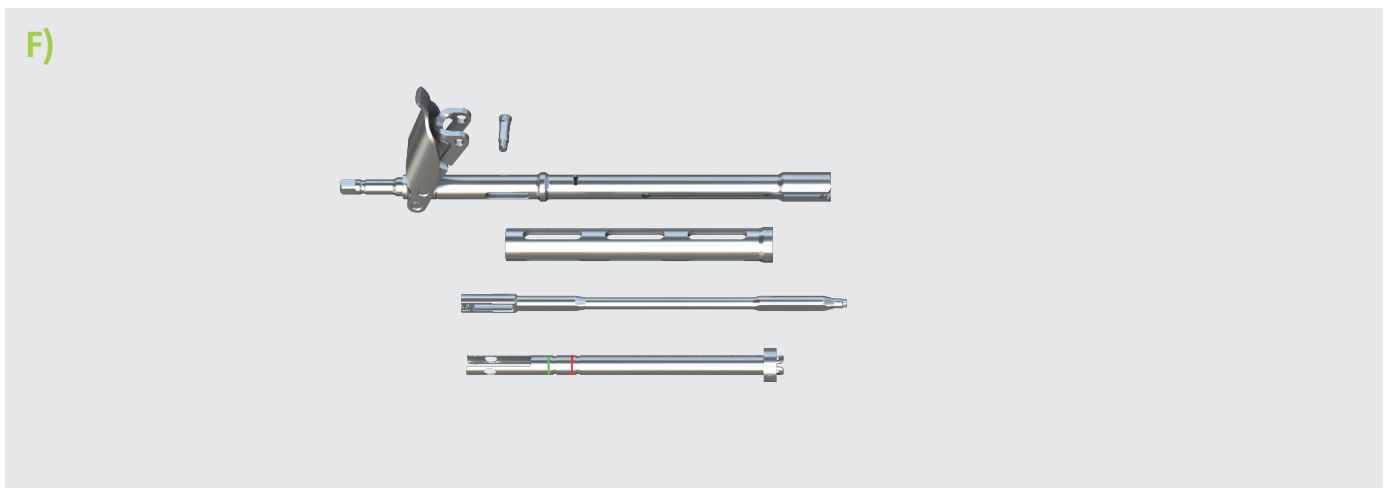
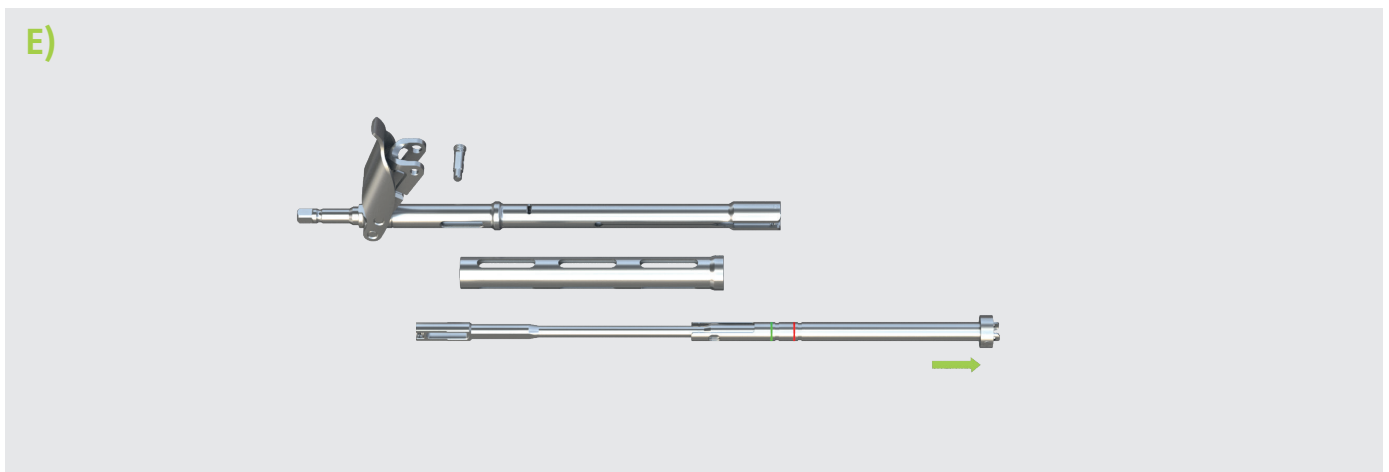
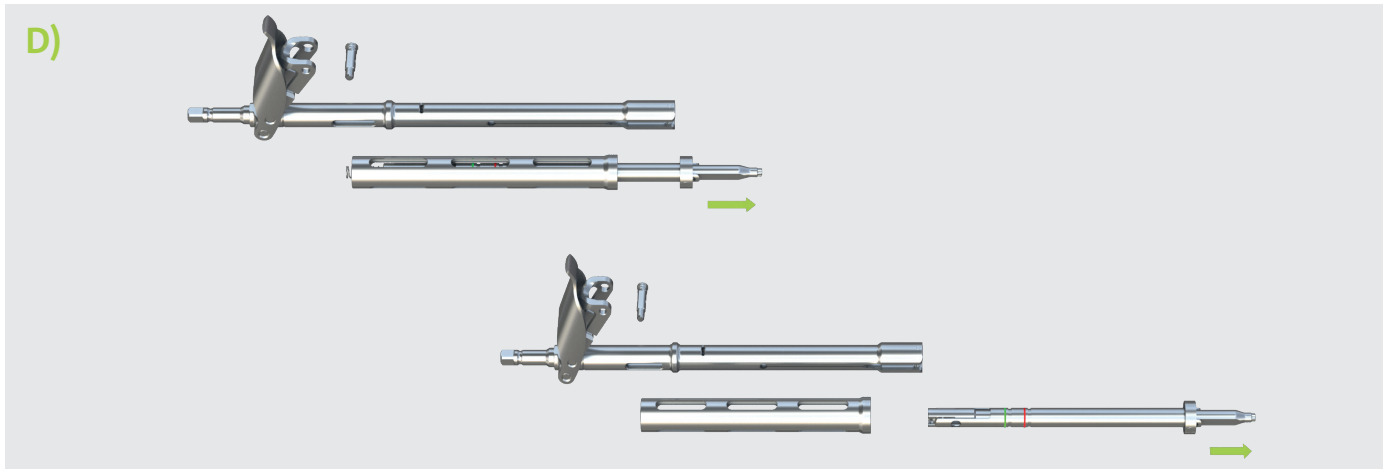
MADE IN GERMANY

SI-0041

[SI-0041.1; SI-0041.2; SI-0041.3; SI-0041.4; SI-0041.5]



specials
TEAM



D60007

2/4

D60054.b.YY
29.09.2022

D60000

This information is only intended for the USA and its territories.

Silony Medical GmbH

elabeling.silony-medical.com/contact

Leinfelder Straße 60
70771 Leinfelden-Echterdingen
Tel +49 711 78 25 25 0
Fax +49 711 78 25 25 11

www.silony-medical.com

MADE IN GERMANY

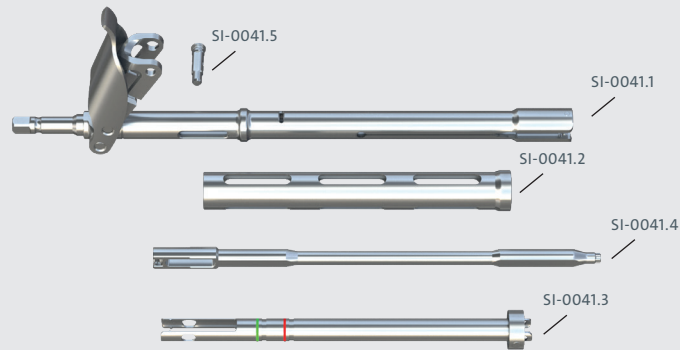
SI-0041

[SI-0041.1; SI-0041.2; SI-0041.3; SI-0041.4; SI-0041.5]

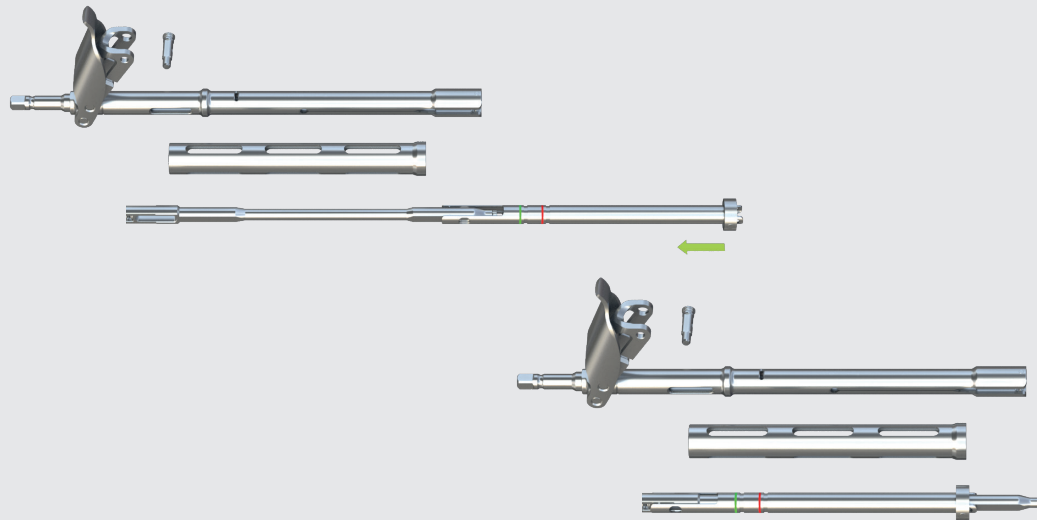


specials
TEAM

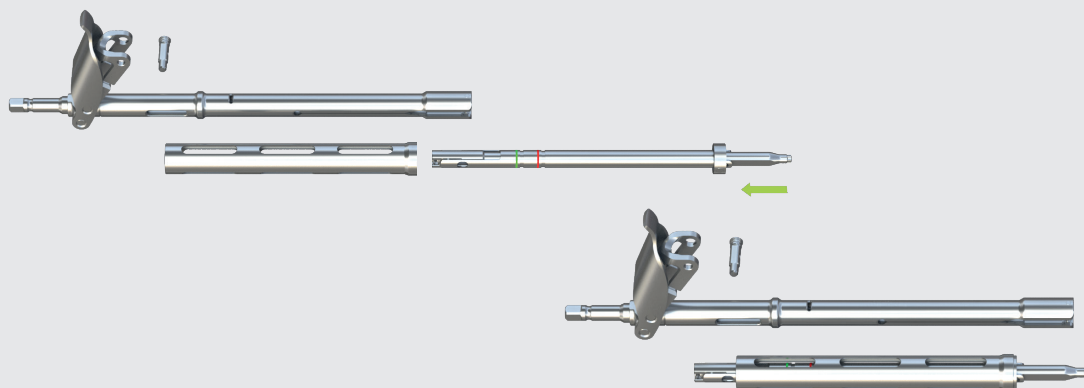
A)



B)



C)



D60007

3/4

D60054.b.YY
29.09.2022

D60000

This information is only intended for the USA and its territories.

Silony Medical GmbH

Leinfelder Straße 60
70771 Leinfelden-Echterdingen

Tel +49 711 78 25 25 0

Fax +49 711 78 25 25 11

www.silony-medical.com

[elabeling.silony-medical.com/contact](https://www.silony-medical.com/contact)

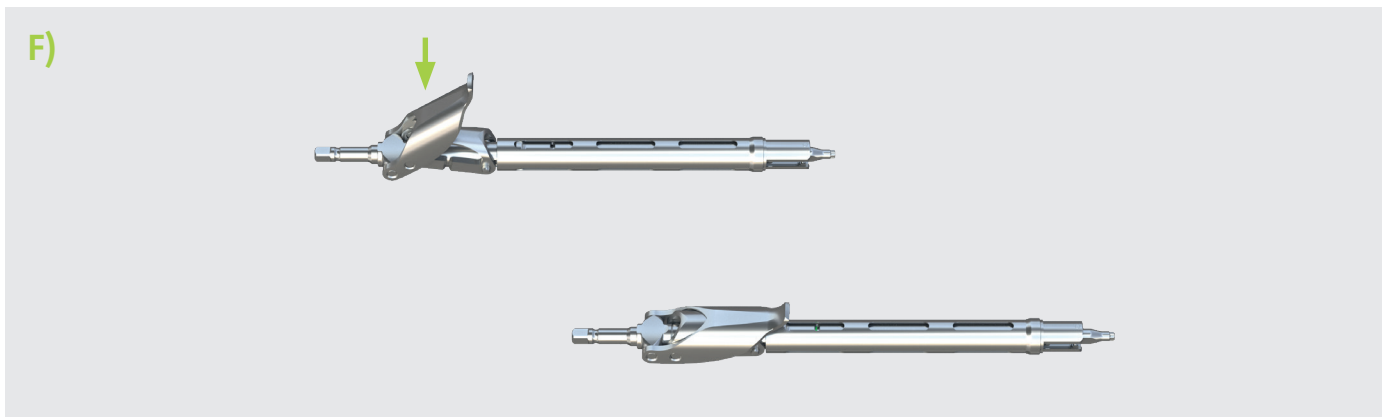
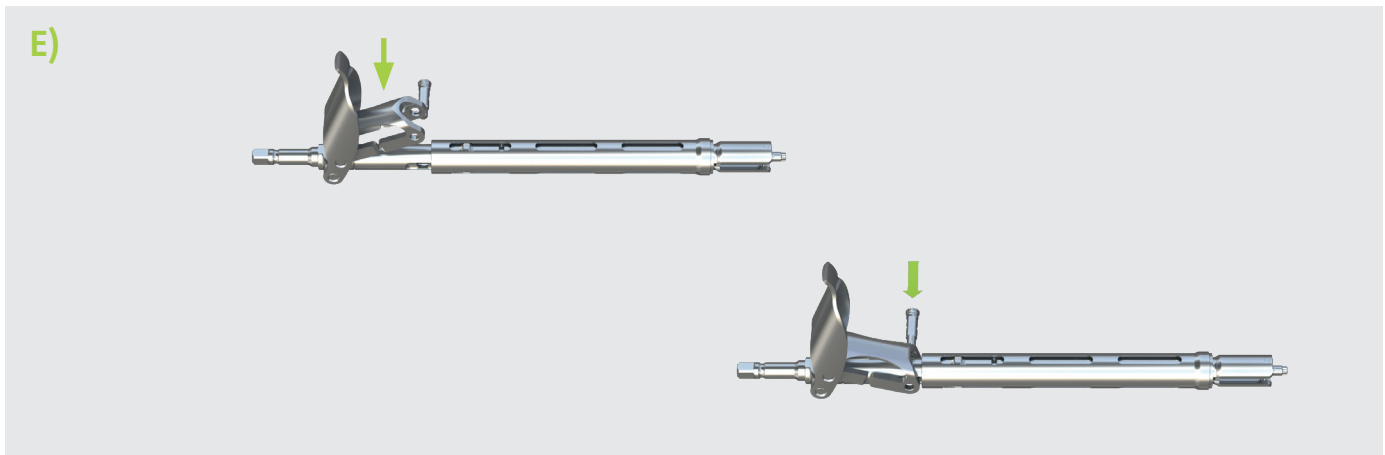
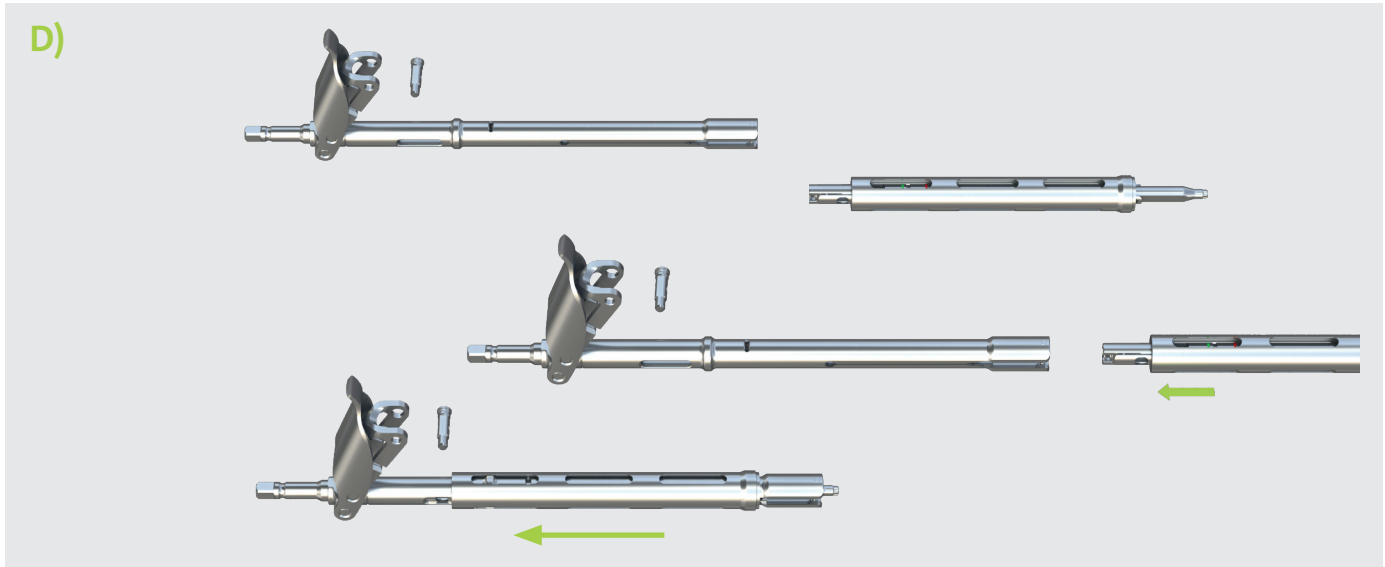
MADE IN GERMANY

SI-0041

[SI-0041.1; SI-0041.2; SI-0041.3; SI- 0041.4; SI-0041.5]



specials
TEAM



D60007

4/4

D60054.b.YY
29.09.2022

D60000

This information is only intended for the USA and its territories.

Silony Medical GmbH

elabeling.silony-medical.com/contact

Leinfelder Straße 60
70771 Leinfelden-Echterdingen
Tel +49 711 78 25 25 0
Fax +49 711 78 25 25 11

www.silony-medical.com

MADE IN GERMANY