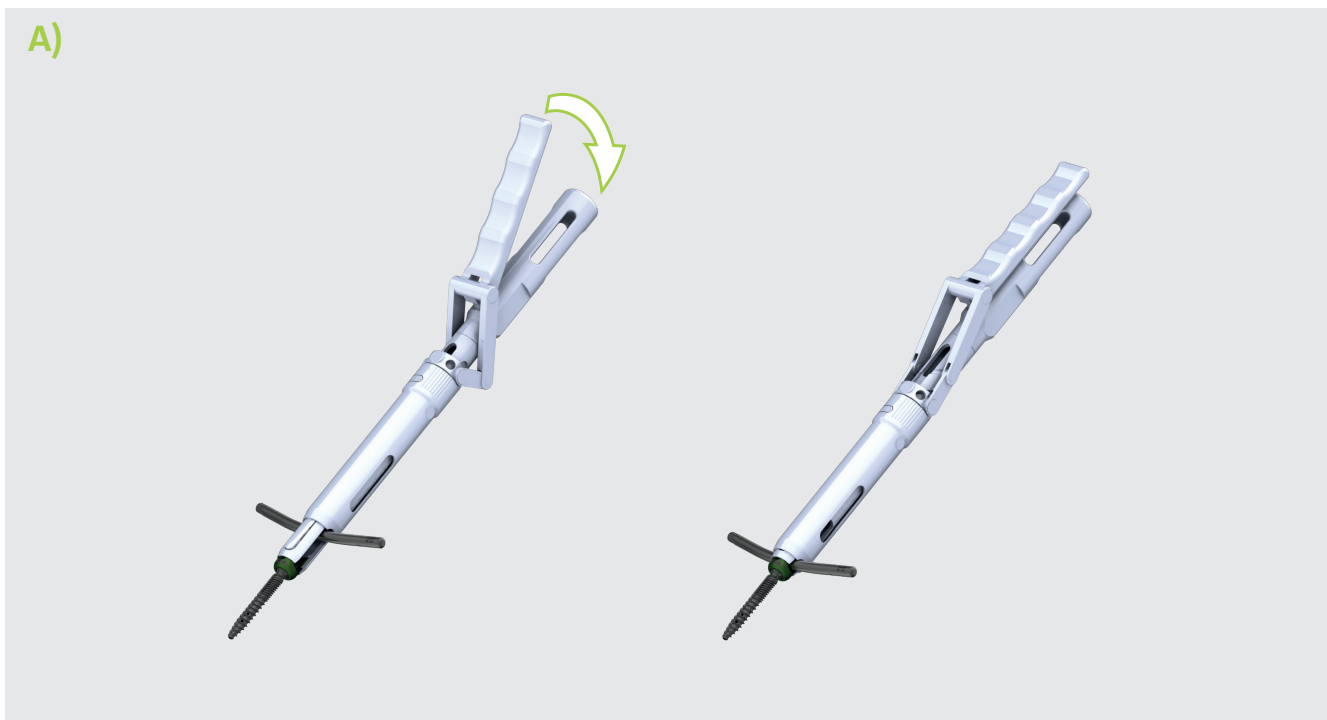


# VERTICALE® OPEN

VI-1369

[ VI-1369.1; VI-1369.2 ]



D60007  
 D60000

1/5

D60077a.EN  
21.05.2021

Silony Medical GmbH  
Leinfelder Straße 60  
70771 Leinfelden-Echterdingen, Germany  
Tel +49 711 78 25 25 0  
Fax +49 711 78 25 25 11  
[www.silony-medical.com](http://www.silony-medical.com)

[elabeling.silony-medical.com/contact](https://www.silony-medical.com/contact)

MADE IN GERMANY

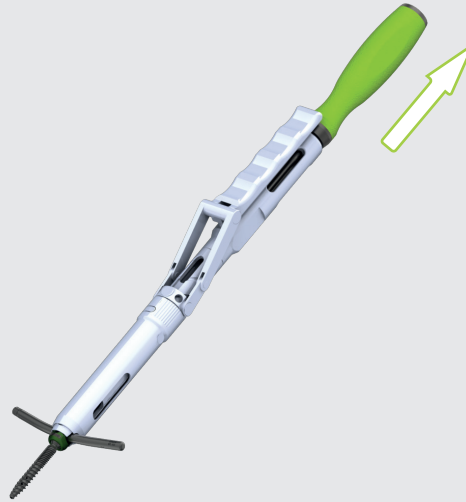
# VERTICALE® OPEN

VI-1369

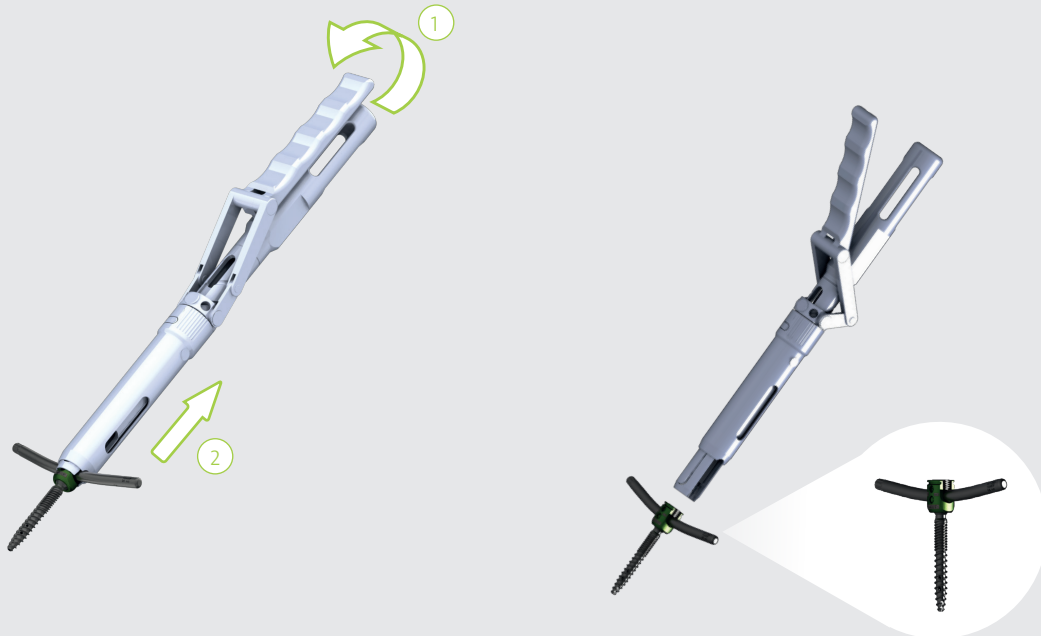
[ VI-1369.1; VI-1369.2 ]



c)



D)



 D60007

2/5

D60077a.EN  
21.05.2021

 D60000

 Silony Medical GmbH

Leinfelder Straße 60  
70771 Leinfelden-Echterdingen, Germany  
Tel +49 711 78 25 25 0  
Fax +49 711 78 25 25 11

[www.silony-medical.com](http://www.silony-medical.com)

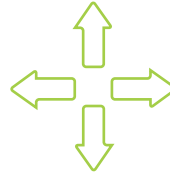
 [elabeling.silony-medical.com/contact](mailto:elabeling.silony-medical.com/contact)

MADE IN GERMANY

# VERTICALE® OPEN

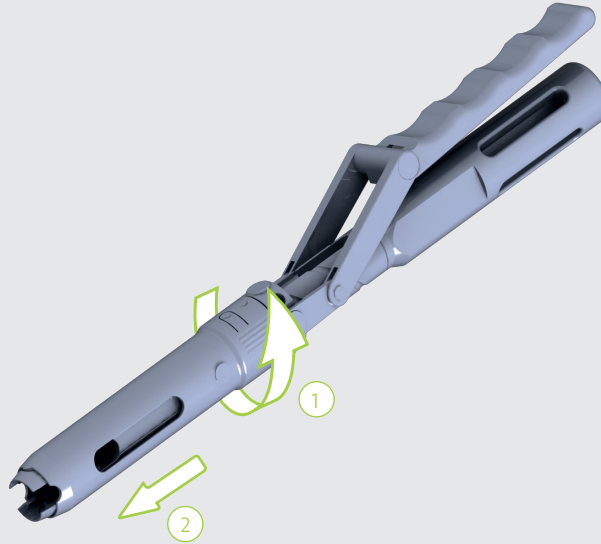
VI-1369

[ VI-1369.1; VI-1369.2 ]

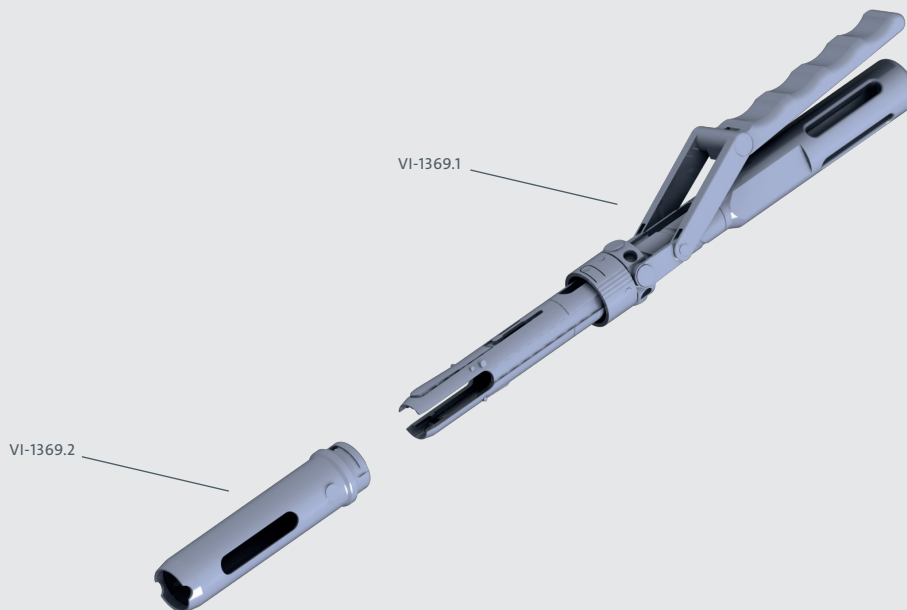


**silony**  
MEDICAL

E)



F)



 D60007

3/5

D60077.a.EN  
21.05.2021

 D60000

 **Silony Medical GmbH**

Leinfelder Straße 60  
70771 Leinfelden-Echterdingen, Germany

Tel +49 711 78 25 25 0

Fax +49 711 78 25 25 11

[www.silony-medical.com](http://www.silony-medical.com)

 [elabeling.silony-medical.com/contact](mailto:elabeling.silony-medical.com/contact)

MADE IN GERMANY

# VERTICALE® OPEN

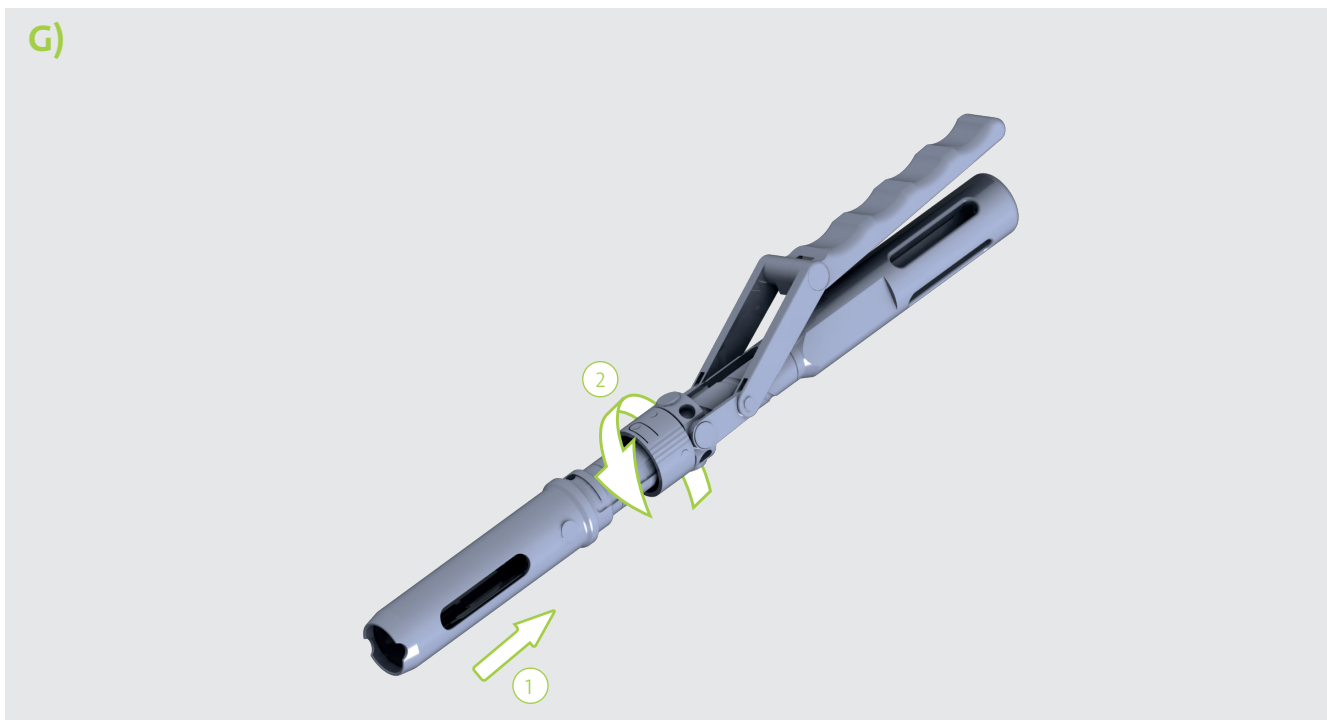
VI-1369

[ VI-1369.1; VI-1369.2 ]

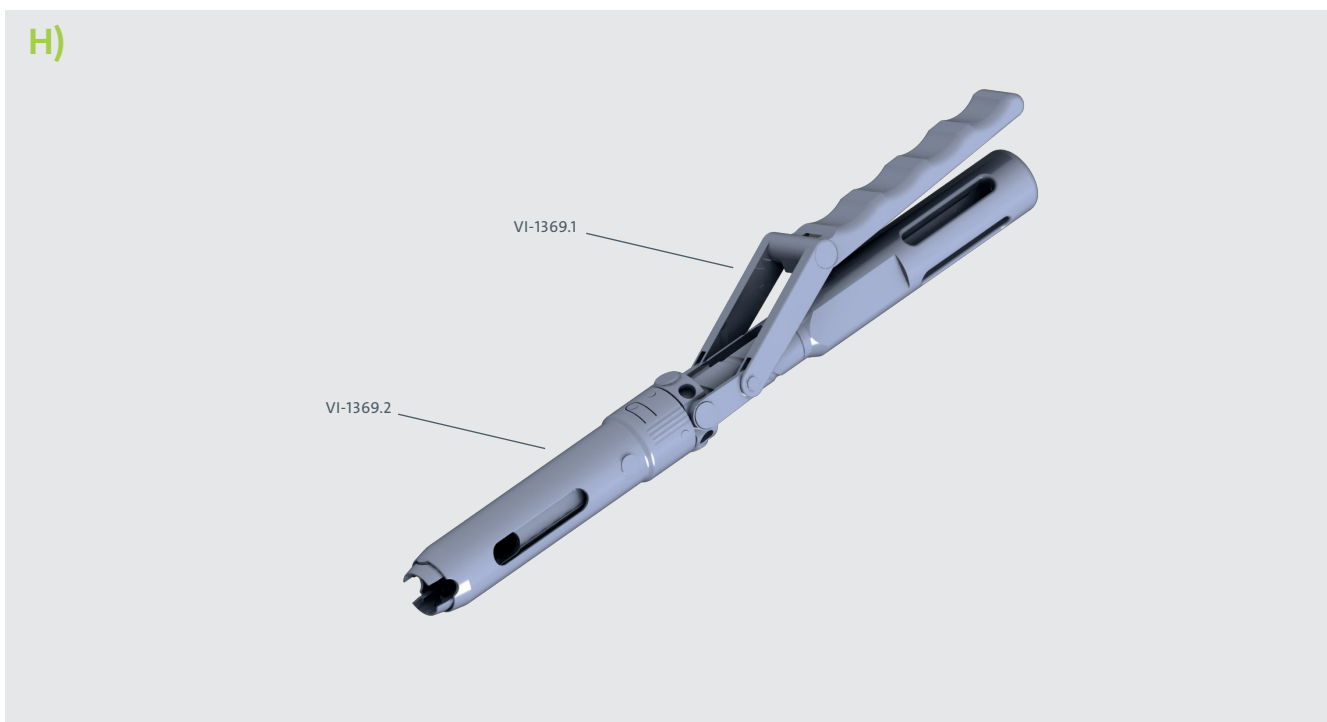


**silony**  
MEDICAL

G)



H)



 D60007

4/5

D60077.a.EN  
21.05.2021

 D60000

 **Silony Medical GmbH**

Leinfelder Straße 60

70771 Leinfelden-Echterdingen, Germany

Tel +49 711 78 25 25 0

Fax +49 711 78 25 25 11

[www.silony-medical.com](http://www.silony-medical.com)

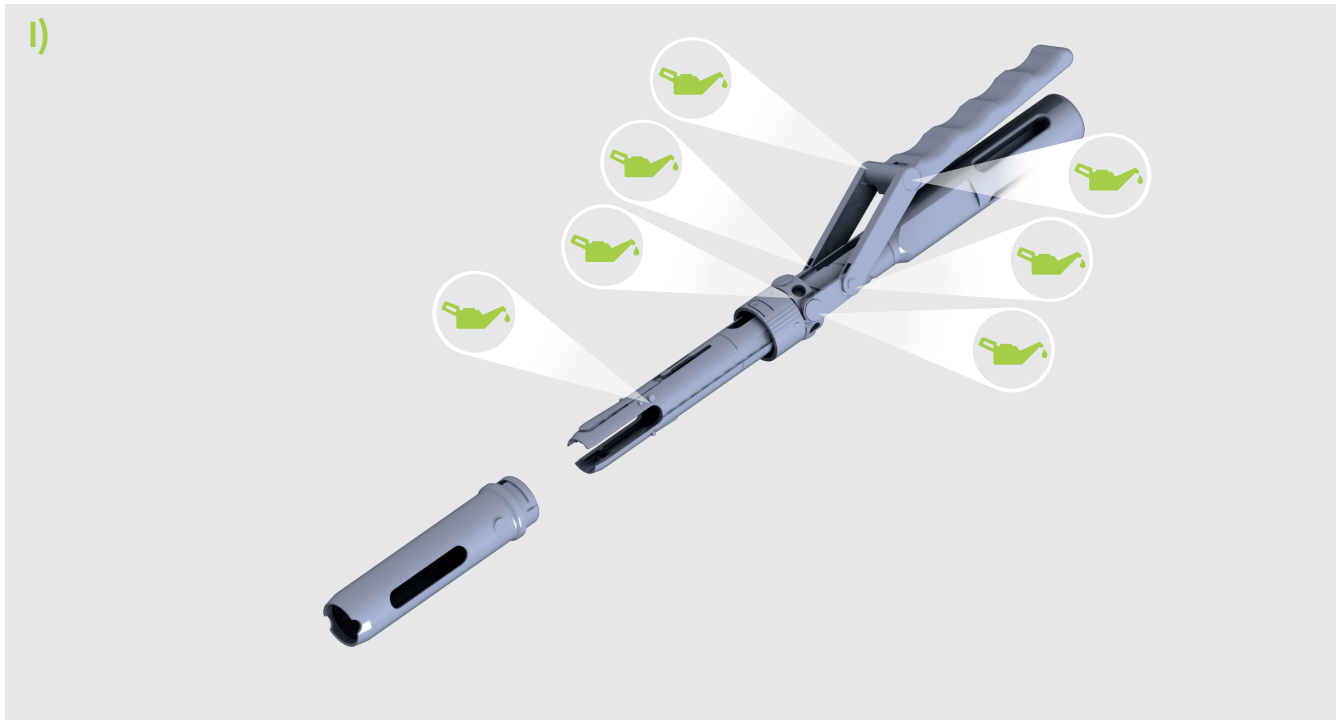
 [elabeling.silony-medical.com/contact](mailto:elabeling.silony-medical.com/contact)

MADE IN GERMANY

# VERTICALE® OPEN

VI-1369

[ VI-1369.1; VI-1369.2 ]



 D60007

5/5

D60077a.EN  
21.05.2021

 D60000

 **Silony Medical GmbH**

Leinfelder Straße 60  
70771 Leinfelden-Echterdingen, Germany

Tel +49 711 78 25 25 0

Fax +49 711 78 25 25 11

[www.silony-medical.com](http://www.silony-medical.com)

 [elabeling.silony-medical.com/contact](mailto:elabeling.silony-medical.com/contact)

MADE IN GERMANY