

# VERTICALE® CERVICAL



D60007

D60036

●  
1/15

D60062.a.EN  
12.03.2020

**Silony Medical Corp.**  
8200 NW 27th Street, Suite 104  
Doral, FL 33122, USA  
Phone +1 305 916 0016

[www.silony-medical.com](http://www.silony-medical.com)

**Silony Medical GmbH**  
Leinfelder Straße 60  
70771 Leinfelden-Echterdingen, Germany  
Tel +49 711 78 25 25 0  
Fax +49 711 78 25 25 11

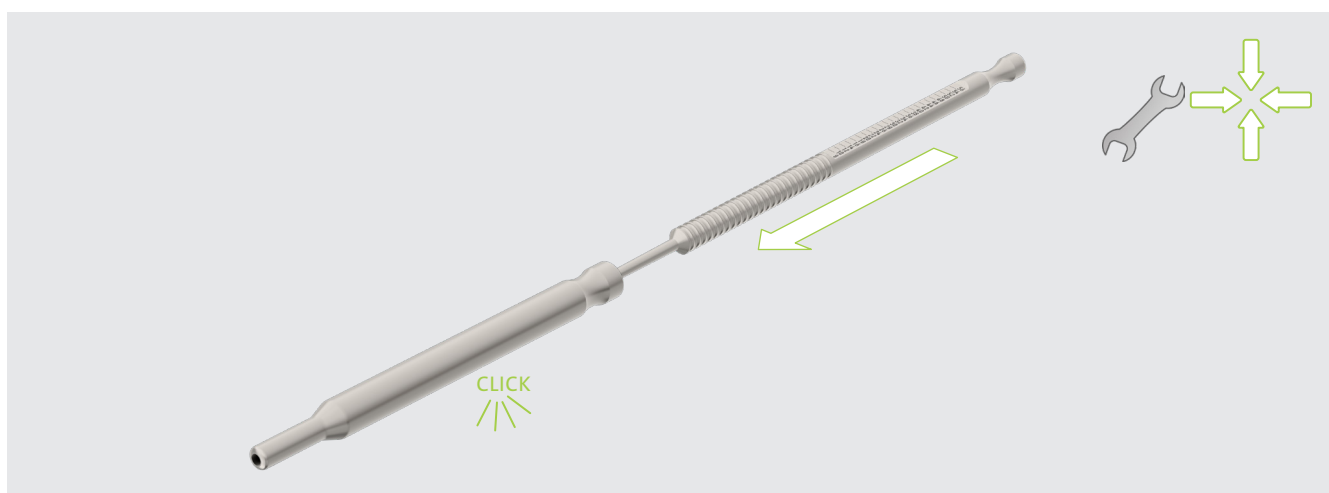
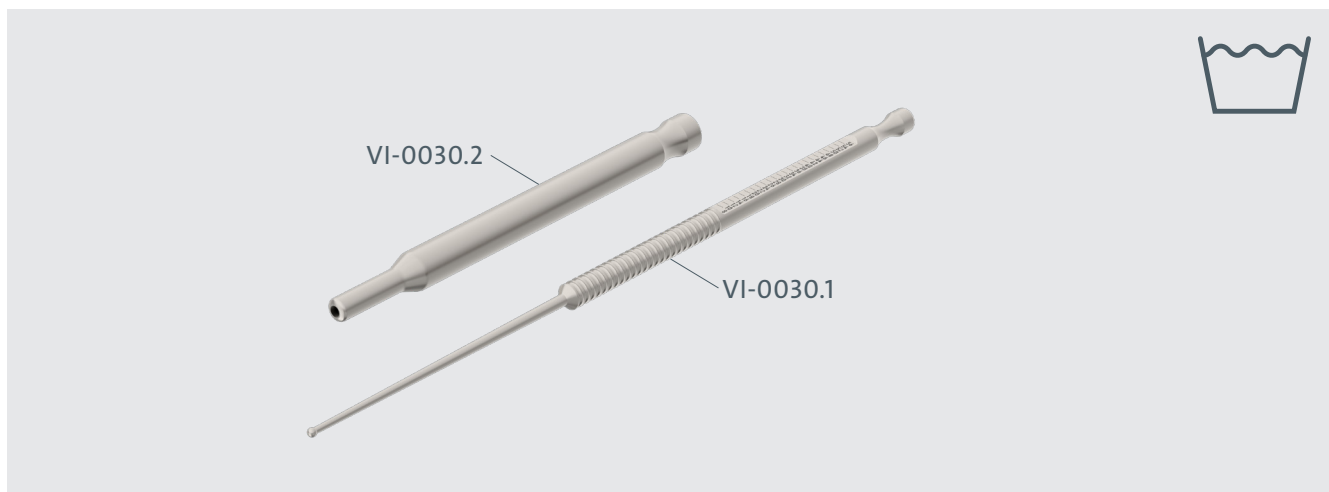
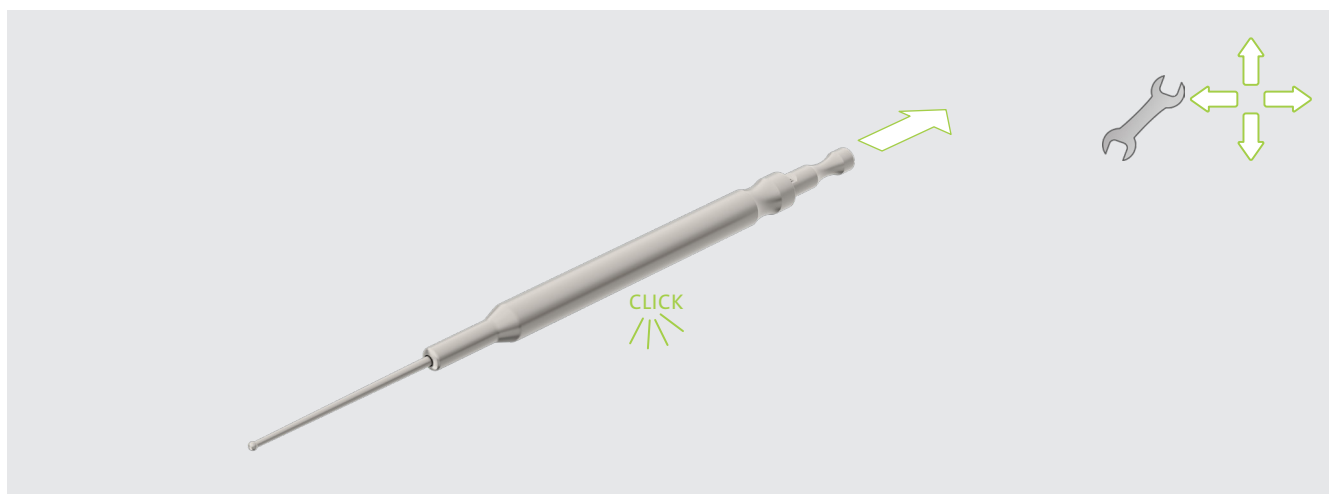
MADE IN GERMANY

# VERTICALE® CERVICAL



VI-0030

[ VI-0030.1; VI-0030.2 ]



 D60007

 D60036


2 / 15

D60062.a.EN  
12.03.2020

 **Silony Medical Corp.**  
8200 NW 27th Street, Suite 104  
Doral, FL 33122, USA  
Phone +1 305 916 0016



[www.silony-medical.com](http://www.silony-medical.com)

 **Silony Medical GmbH**  
Leinfelder Straße 60  
70771 Leinfelden-Echterdingen, Germany  
Tel +49 711 78 25 25 0  
Fax +49 711 78 25 25 11

MADE IN GERMANY

# VERTICALE® CERVICAL



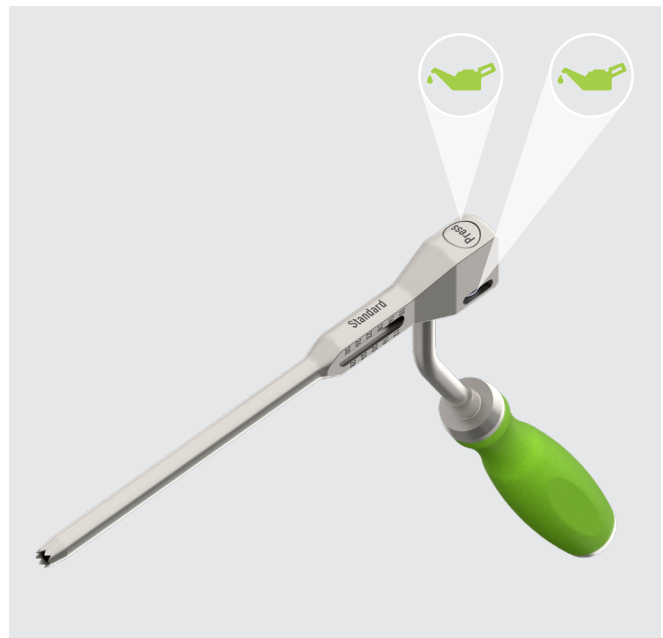
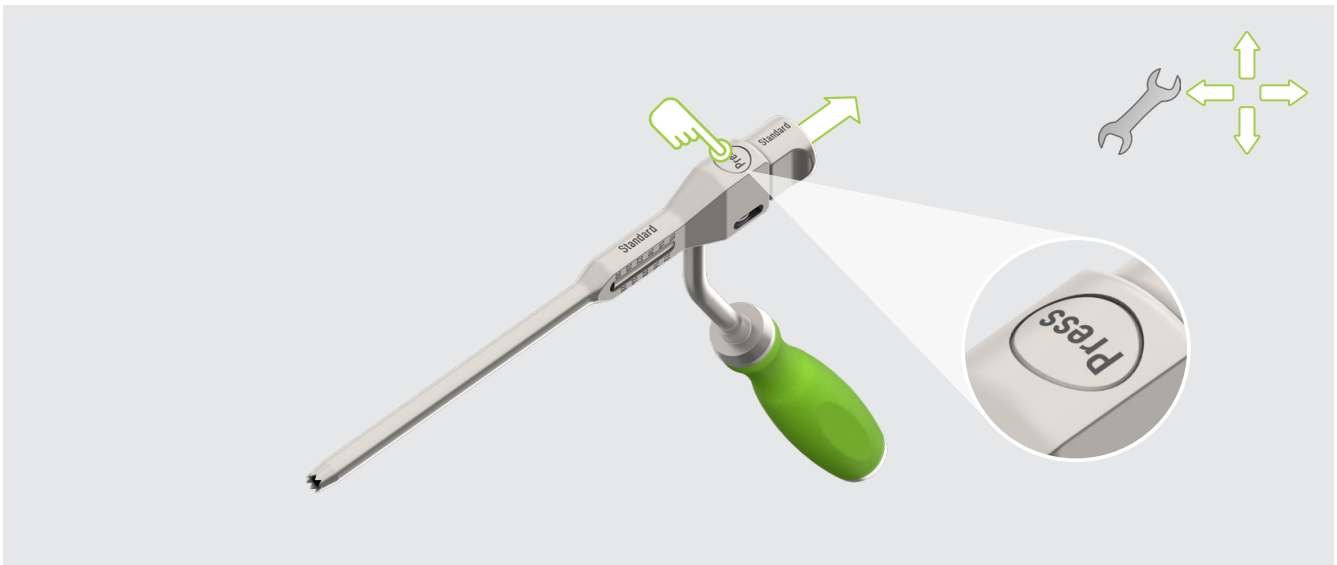
**VI-0256**  
[VI-0256.1; VI-0256.2]



**VI-0230**  
[VI-0230.1; VI-0230.2]



**VI-0720**  
[VI-0720.1; VI-0720.2]



D60007

D60036

● ○

3 / 15

D60062.a.EN  
12.03.2020

**Silony Medical Corp.**  
8200 NW 27th Street, Suite 104  
Doral, FL 33122, USA  
Phone +1 305 916 0016



[www.silony-medical.com](http://www.silony-medical.com)

**Silony Medical GmbH**  
Leinfelder Straße 60  
70771 Leinfelden-Echterdingen, Germany  
Tel +49 711 78 25 25 0  
Fax +49 711 78 25 25 11



# VERTICALE® CERVICAL



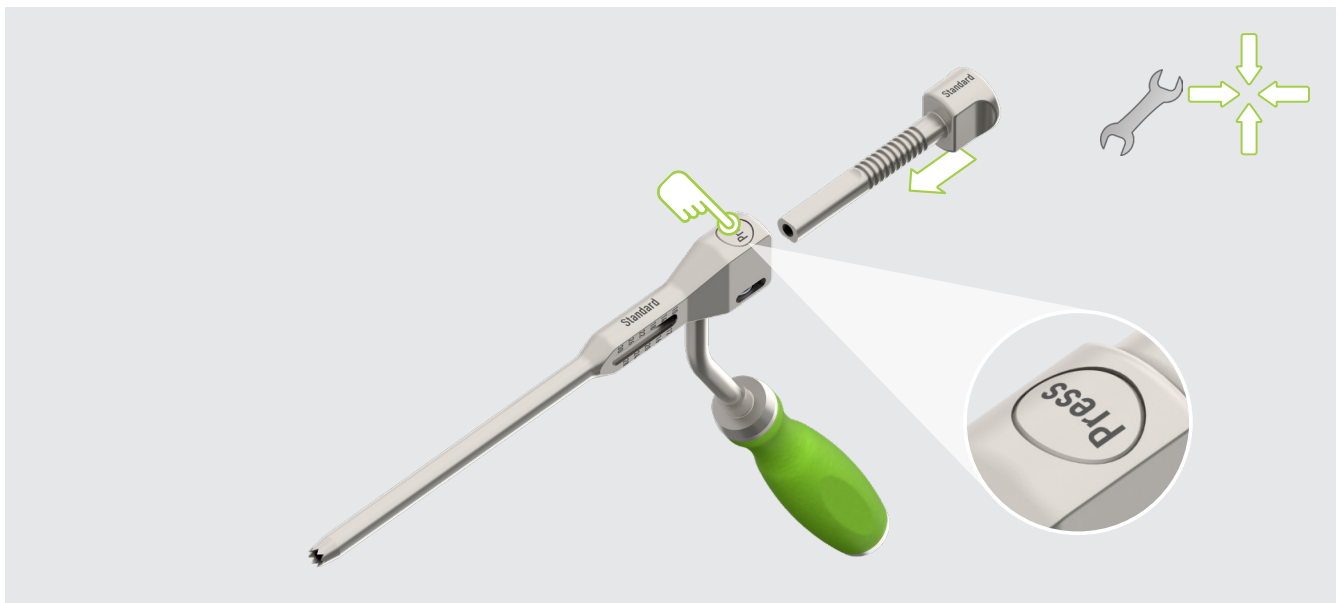
VI-0256  
[VI-0256.1; VI-0256.2]



VI-0230  
[VI-0230.1; VI-0230.2]



VI-0720  
[VI-0720.1; VI-0720.2]



D60007

D60036

●

4 / 15

D60062.a.EN

12.03.2020

Silony Medical Corp.

8200 NW 27th Street, Suite 104  
Doral, FL 33122, USA  
Phone +1 305 916 0016

US REP

[www.silony-medical.com](http://www.silony-medical.com)

Silony Medical GmbH

Leinfelder Straße 60  
70771 Leinfelden-Echterdingen, Germany  
Tel +49 711 78 25 25 0  
Fax +49 711 78 25 25 11

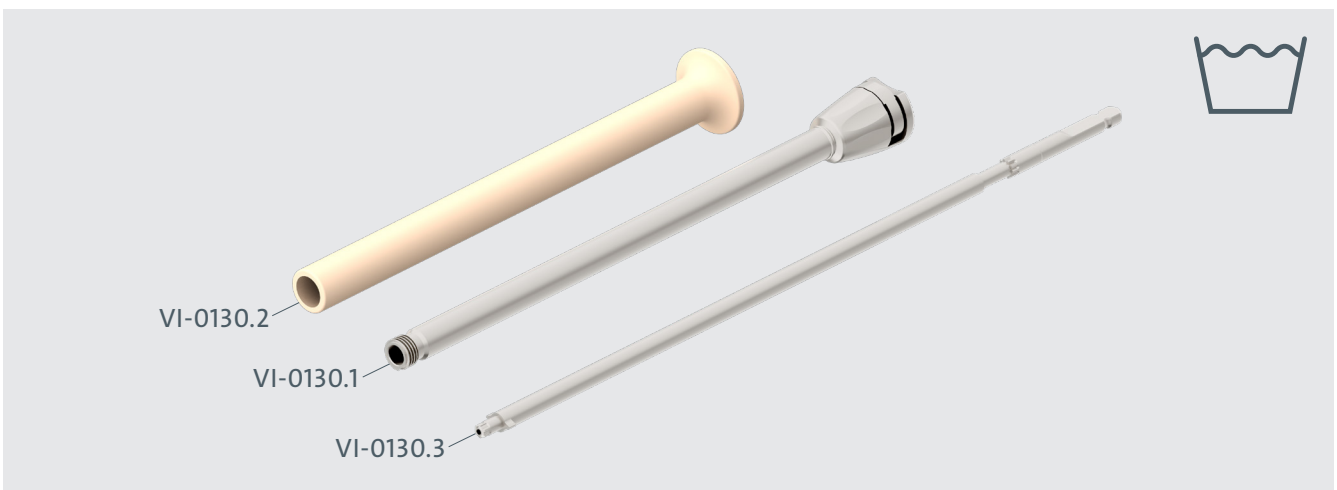
MADE IN GERMANY

# VERTICALE® CERVICAL



VI-0130

[ VI-0130.1; VI-0130.2; VI-0130.3 ]



 D60007


 D60036

● ○

5/15

D60062.a.EN  
12.03.2020

 **Silony Medical Corp.**  
8200 NW 27th Street, Suite 104  
Doral, FL 33122, USA  
Phone +1 305 916 0016

 **Silony Medical GmbH**  
Leinfelder Straße 60  
70771 Leinfelden-Echterdingen, Germany  
Tel +49 711 78 25 25 0  
Fax +49 711 78 25 25 11



[www.silony-medical.com](http://www.silony-medical.com)

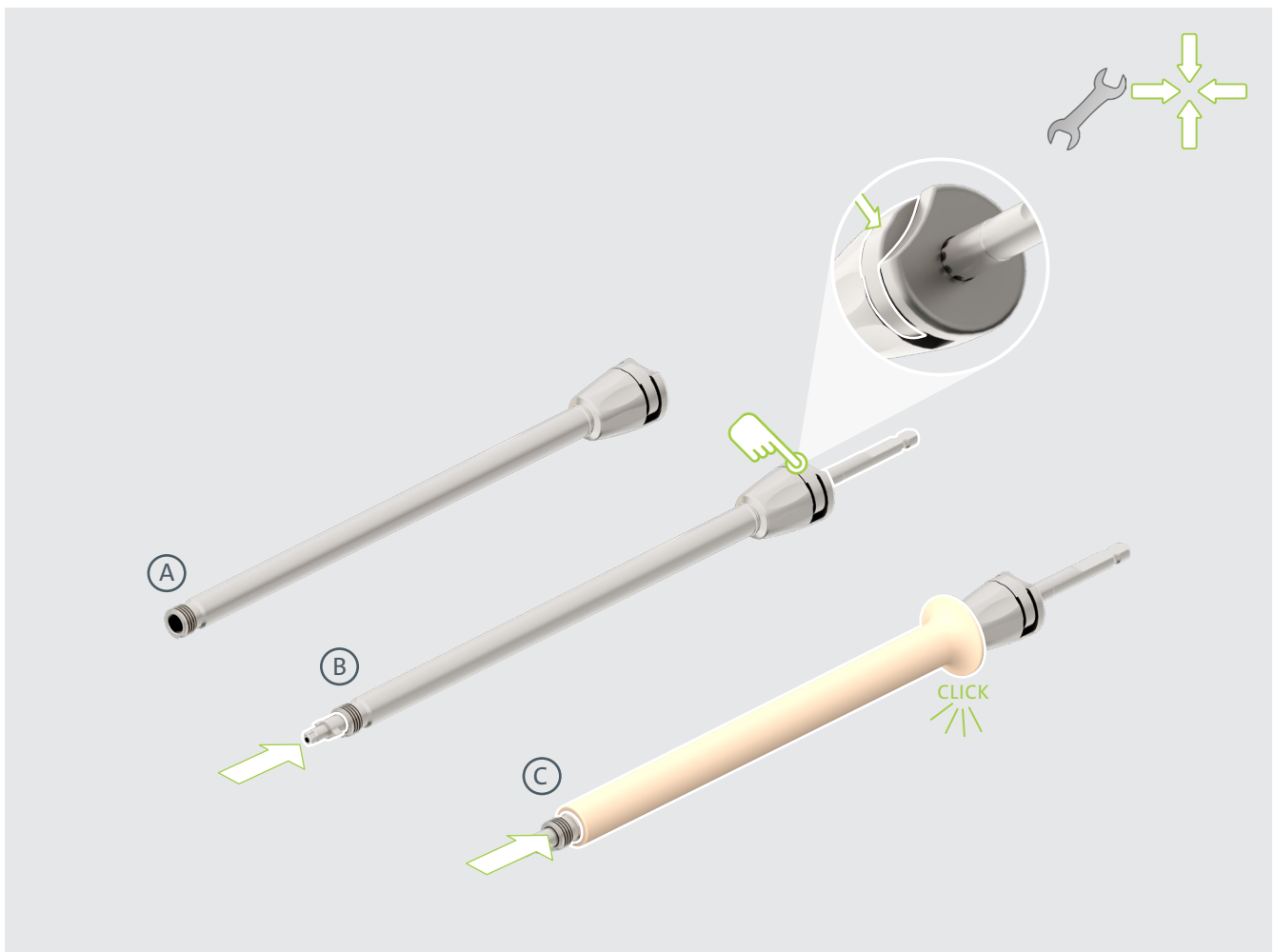
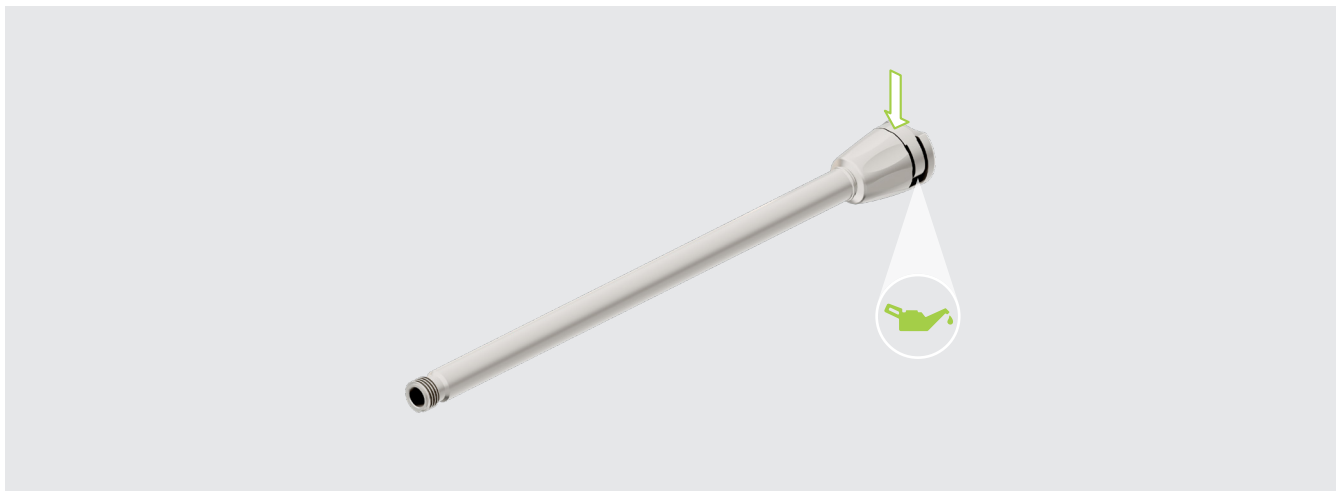
MADE IN GERMANY

# VERTICALE® CERVICAL



VI-0130

[ VI-0130.1; VI-0130.2; VI-0130.3 ]



D60007

D60036

○ ●

6 / 15

D60062.a.EN  
12.03.2020

**Silony Medical Corp.**  
8200 NW 27th Street, Suite 104  
Doral, FL 33122, USA  
Phone +1 305 916 0016

[www.silony-medical.com](http://www.silony-medical.com)

**Silony Medical GmbH**  
Leinfelder Straße 60  
70771 Leinfelden-Echterdingen, Germany  
Tel +49 711 78 25 25 0  
Fax +49 711 78 25 25 11

MADE IN GERMANY

# VERTICALE® CERVICAL



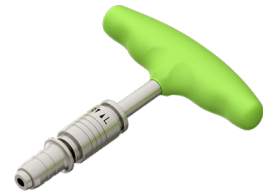
VI-0201



VI-0211

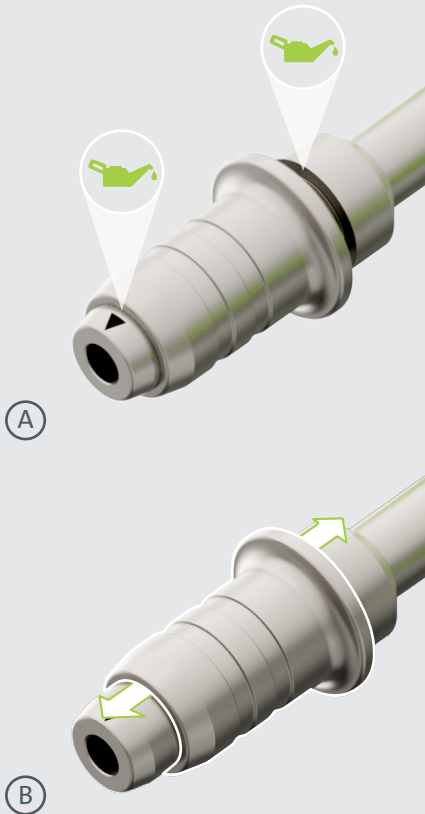


VI-0301



VI-0311

VI-0301 / VI-0311 / VI-0201 / VI-0211



VI-0311 / VI-0211



D60007

D60036

● ○

7 / 15

D60062.a.EN  
12.03.2020

**Silony Medical Corp.**  
8200 NW 27th Street, Suite 104  
Doral, FL 33122, USA  
Phone +1 305 916 0016

**US REP**

[www.silony-medical.com](http://www.silony-medical.com)

**Silony Medical GmbH**  
Leinfelder Straße 60  
70771 Leinfelden-Echterdingen, Germany  
Tel +49 711 78 25 25 0  
Fax +49 711 78 25 25 11

**MADE IN GERMANY**



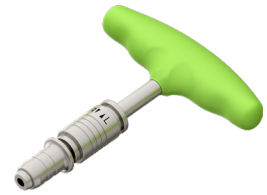
VI-0201



VI-0211



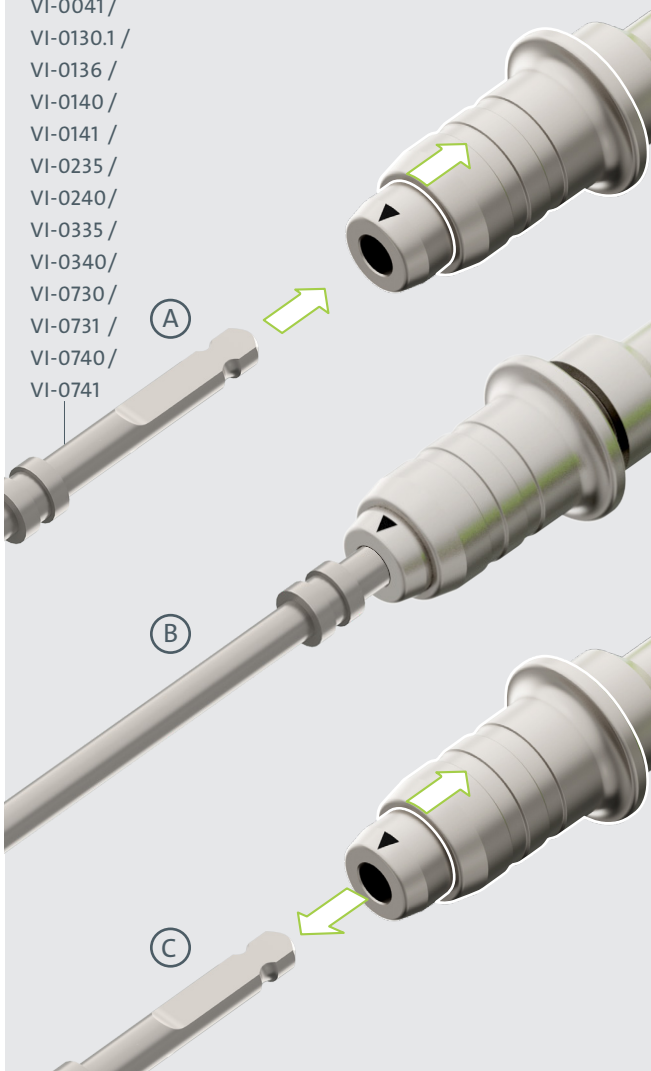
VI-0301



VI-0311

VI-0301 / VI-0311 / VI-0201 / VI-0211

- VI-0035 /
- VI-0040 /
- VI-0041 /
- VI-0130.1 /
- VI-0136 /
- VI-0140 /
- VI-0141 /
- VI-0235 /
- VI-0240 /
- VI-0335 /
- VI-0340 /
- VI-0730 /
- VI-0731 /
- VI-0740 /
- VI-0741



VI-0311 / VI-0211



D60007

D60036

○ ●

8 / 15

D60062.a.EN  
12.03.2020

**Silony Medical Corp.**  
8200 NW 27th Street, Suite 104  
Doral, FL 33122, USA  
Phone +1 305 916 0016

**US REP**

[www.silony-medical.com](http://www.silony-medical.com)

**Silony Medical GmbH**  
Leinfelder Straße 60  
70771 Leinfelden-Echterdingen, Germany  
Tel +49 711 78 25 25 0  
Fax +49 711 78 25 25 11

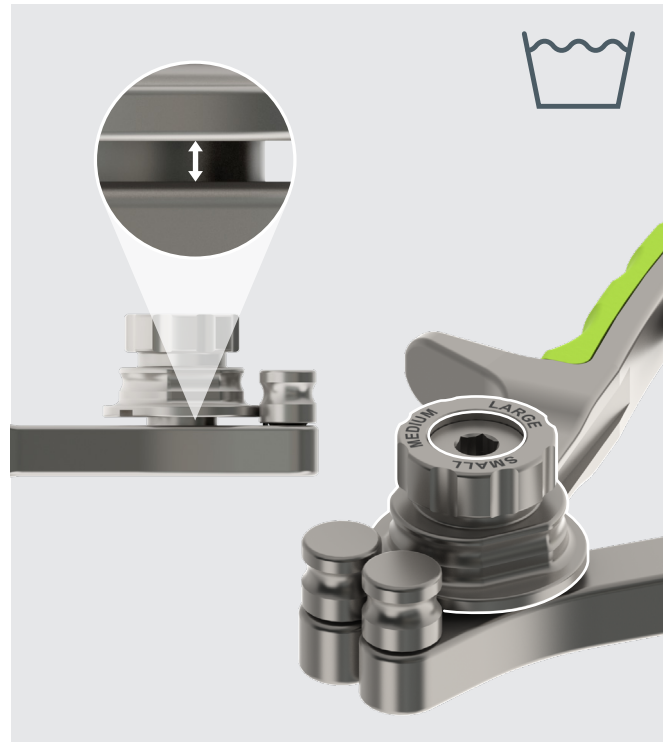
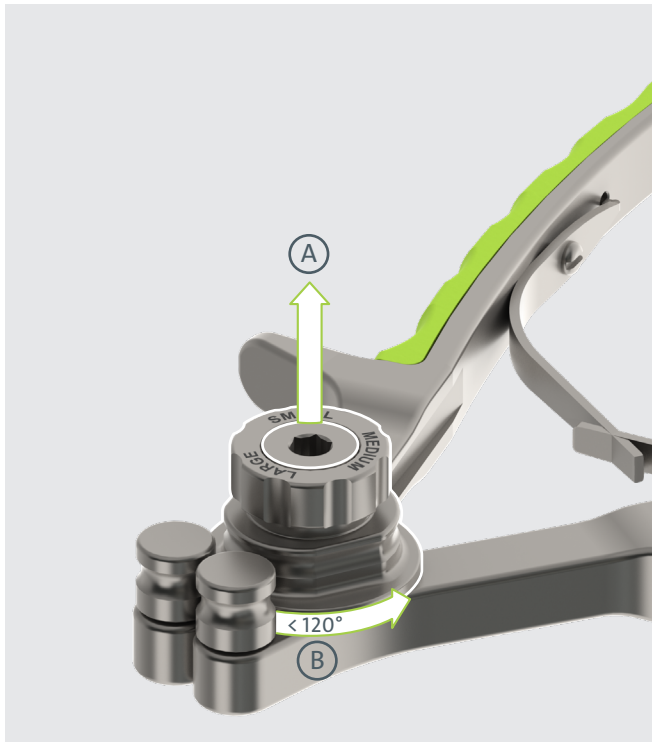
**MADE IN GERMANY**



# VERTICALE® CERVICAL



VI-0610



D60007

D60036

9 / 15

D60062.a.EN  
12.03.2020

**Silony Medical Corp.**  
8200 NW 27th Street, Suite 104  
Doral, FL 33122, USA  
Phone +1 305 916 0016

[www.silony-medical.com](http://www.silony-medical.com)

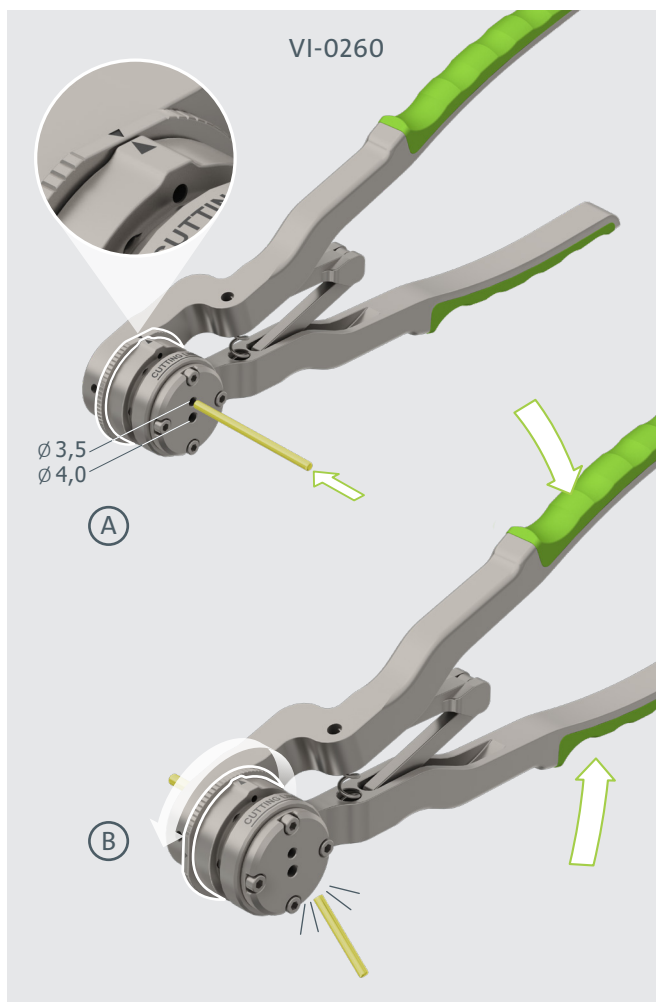
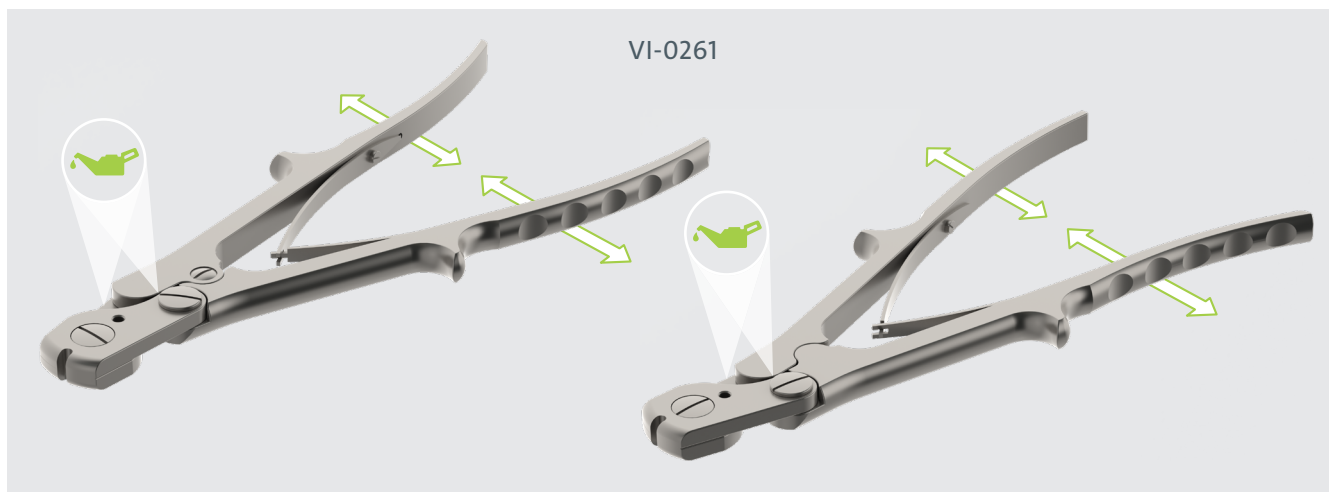
**Silony Medical GmbH**  
Leinfelder Straße 60  
70771 Leinfelden-Echterdingen, Germany  
Tel +49 711 78 25 25 0  
Fax +49 711 78 25 25 11

MADE IN GERMANY

# VERTICALE® CERVICAL



VI-0260, VI-0261



D60007

D60036

10/15

D60062.a.EN  
12.03.2020

**Silony Medical Corp.**  
8200 NW 27th Street, Suite 104  
Doral, FL 33122, USA  
Phone +1 305 916 0016

**US REP**

[www.silony-medical.com](http://www.silony-medical.com)

**Silony Medical GmbH**  
Leinfelder Straße 60  
70771 Leinfelden-Echterdingen, Germany  
Tel +49 711 78 25 25 0  
Fax +49 711 78 25 25 11

MADE IN GERMANY

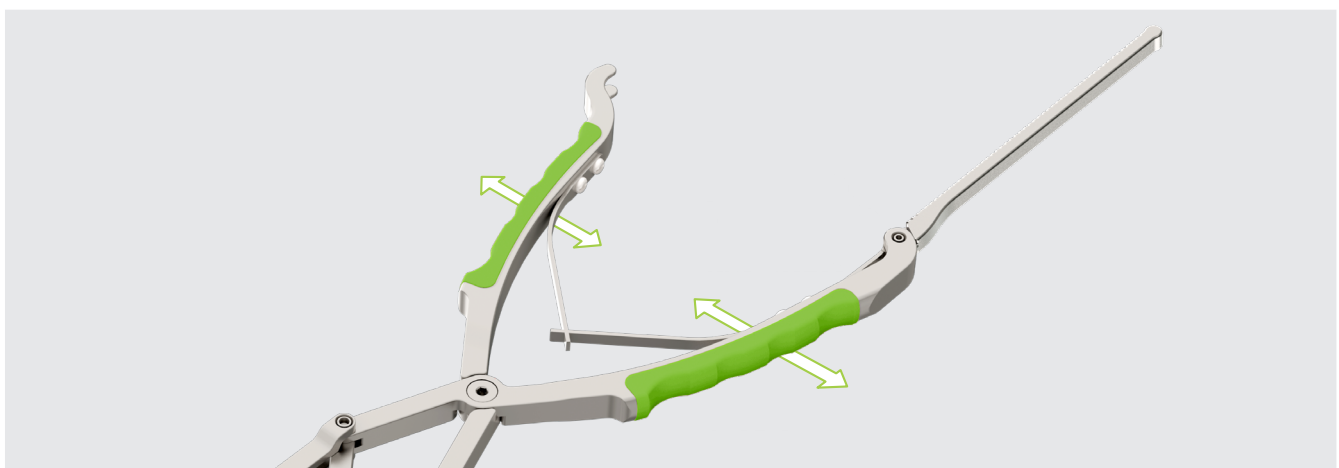
# VERTICALE® CERVICAL



VI-0620



VI-0630



D60007

D60036

11/15

D60062.a.EN  
12.03.2020

**Silony Medical Corp.**  
8200 NW 27th Street, Suite 104  
Doral, FL 33122, USA  
Phone +1 305 916 0016



[www.silony-medical.com](http://www.silony-medical.com)

**Silony Medical GmbH**  
Leinfelder Straße 60  
70771 Leinfelden-Echterdingen, Germany  
Tel +49 711 78 25 25 0  
Fax +49 711 78 25 25 11

MADE IN GERMANY



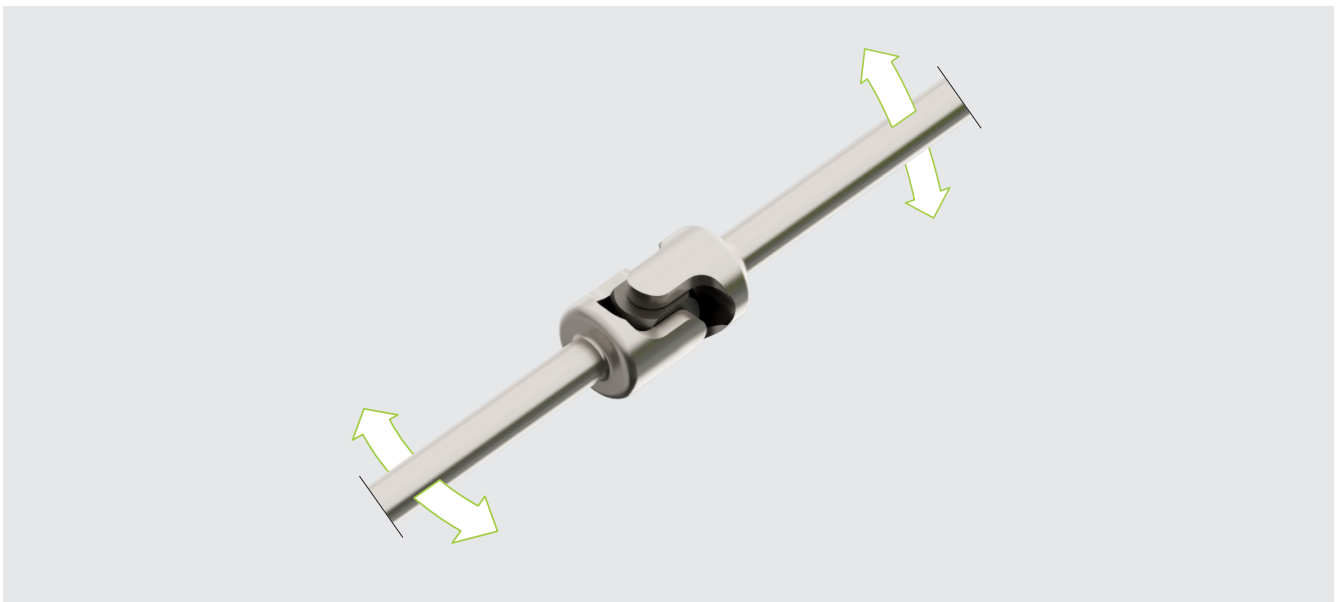
VI-0731



VI-0741



VI-0751



 D60007

 D60036


12 / 15

D60062.a.EN  
12.03.2020

 **Silony Medical Corp.**  
8200 NW 27th Street, Suite 104  
Doral, FL 33122, USA  
Phone +1 305 916 0016

US REP

[www.silony-medical.com](http://www.silony-medical.com)

 **Silony Medical GmbH**  
Leinfelder Straße 60  
70771 Leinfelden-Echterdingen, Germany  
Tel +49 711 78 25 25 0  
Fax +49 711 78 25 25 11

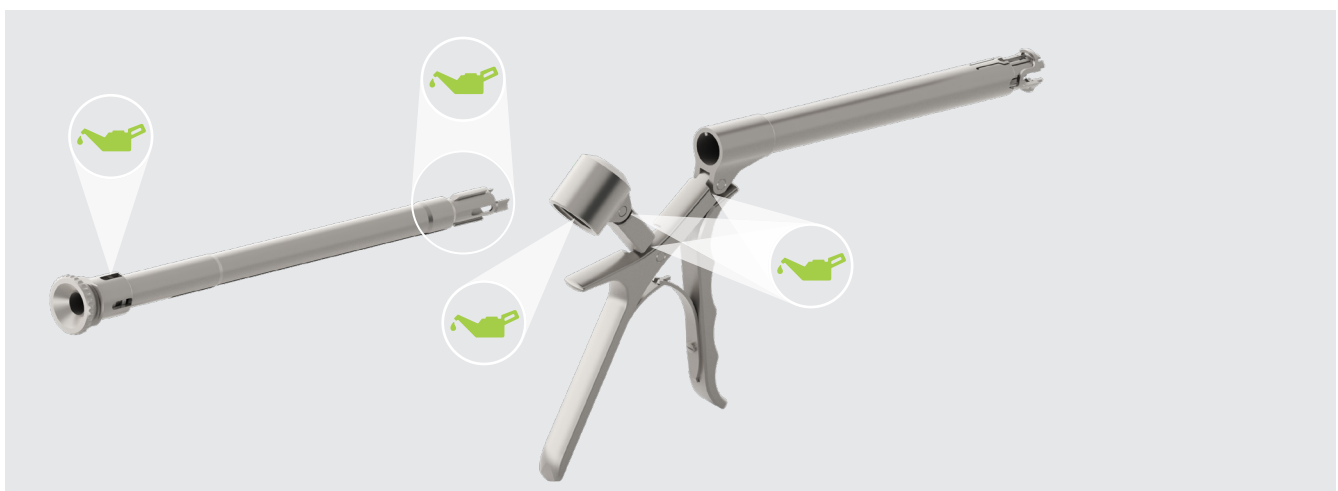
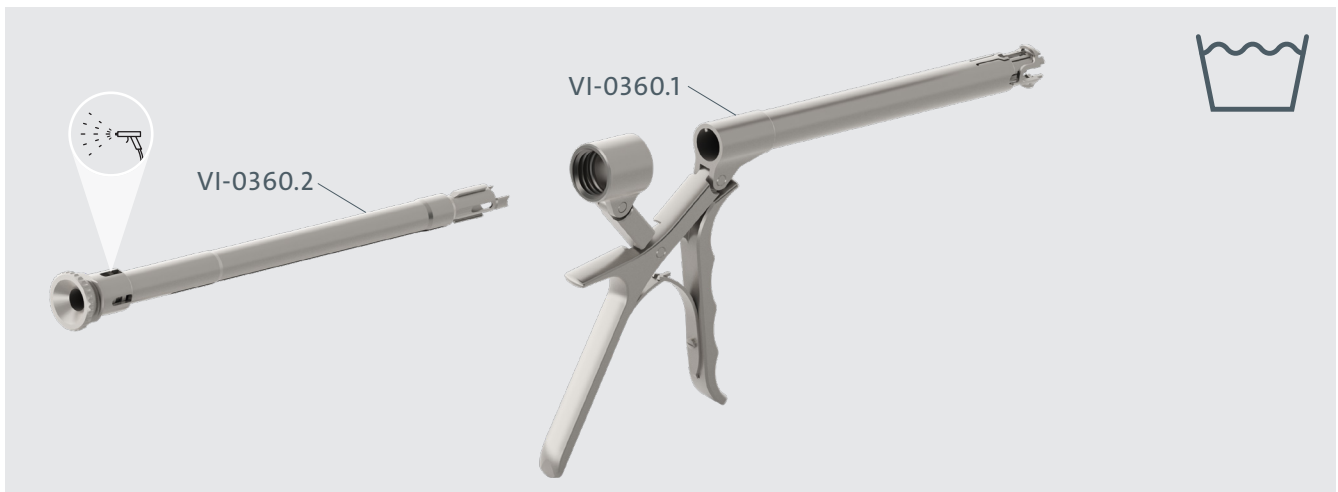
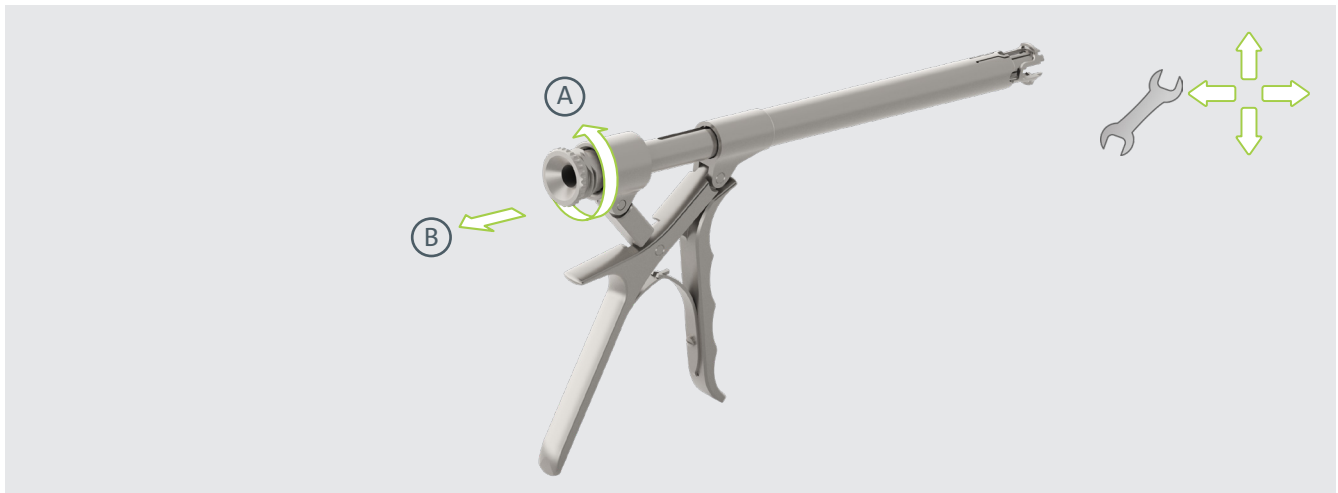
MADE IN GERMANY

# VERTICALE® CERVICAL



VI-0360

[ VI-0360.1; VI-0360.2 ]



D60007

D60036

● ○

13 / 15

D60062.a.EN  
12.03.2020

**Silony Medical Corp.**  
8200 NW 27th Street, Suite 104  
Doral, FL 33122, USA  
Phone +1 305 916 0016



[www.silony-medical.com](http://www.silony-medical.com)

**Silony Medical GmbH**  
Leinfelder Straße 60  
70771 Leinfelden-Echterdingen, Germany  
Tel +49 711 78 25 25 0  
Fax +49 711 78 25 25 11

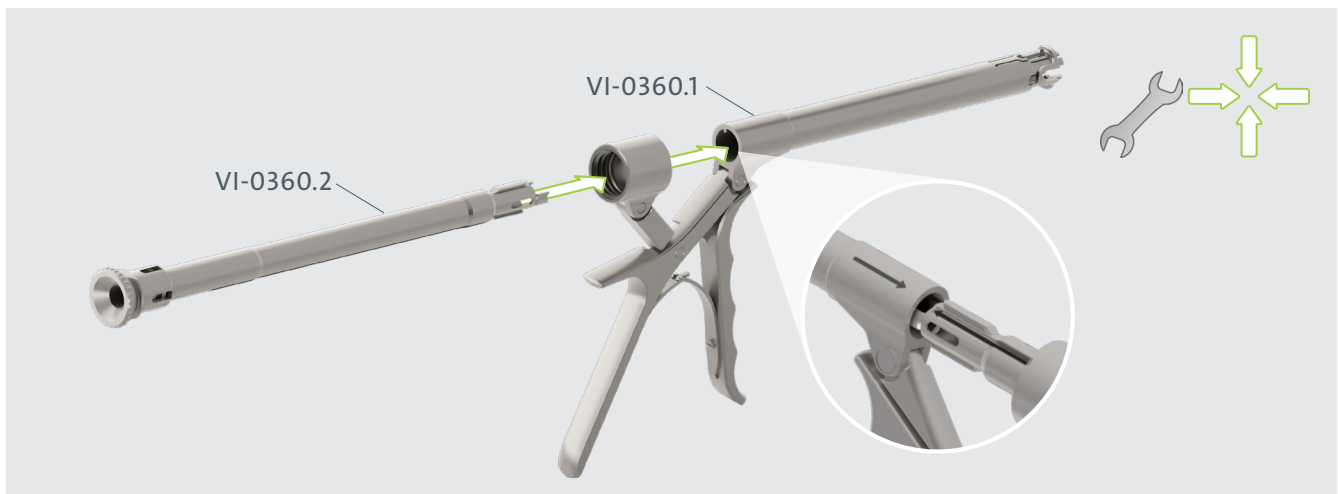
MADE IN GERMANY

# VERTICALE® CERVICAL



VI-0360

[ VI-0360.1; VI-0360.2 ]



 D60007

 D60036

○ ●

14 / 15

D60062.a.EN  
12.03.2020

 **Silony Medical Corp.**

8200 NW 27th Street, Suite 104  
Doral, FL 33122, USA  
Phone +1 305 916 0016



[www.silony-medical.com](http://www.silony-medical.com)

 **Silony Medical GmbH**

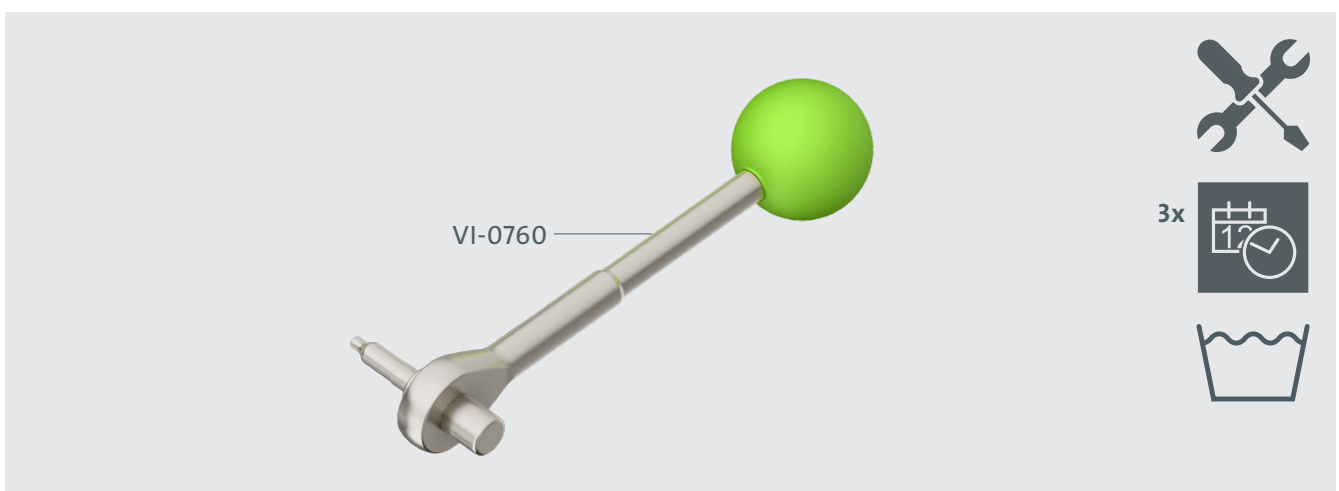
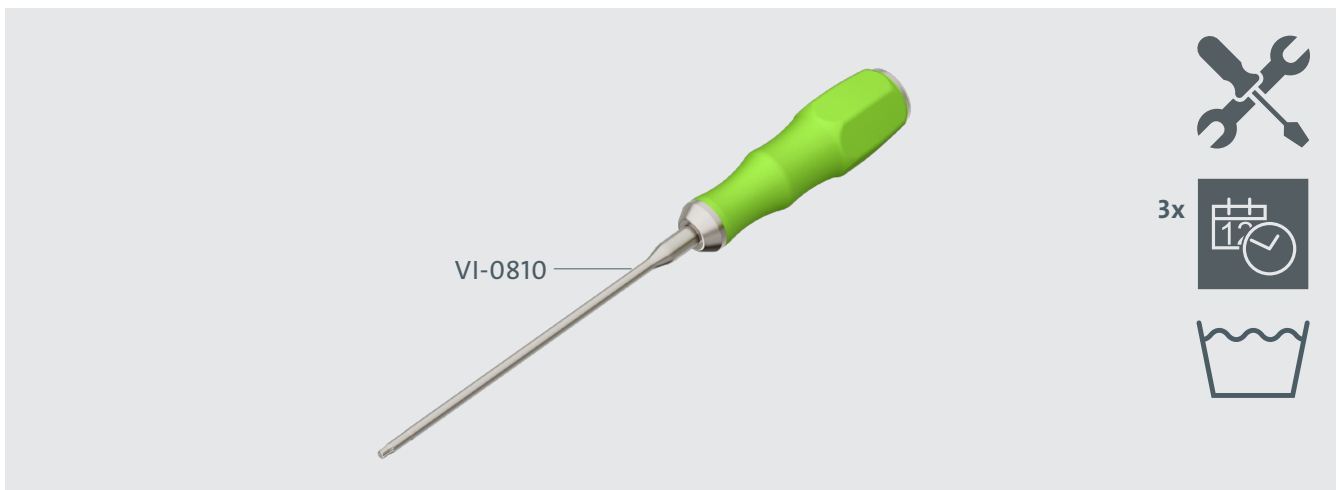
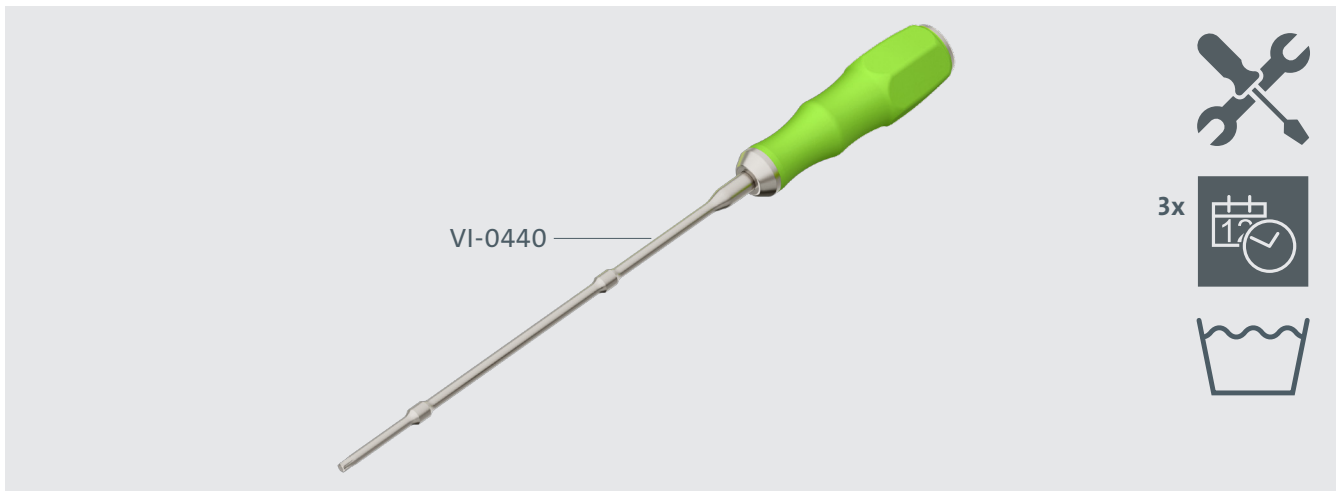
Leinfelder Straße 60  
70771 Leinfelden-Echterdingen, Germany  
Tel +49 711 78 25 25 0  
Fax +49 711 78 25 25 11

MADE IN GERMANY

# VERTICALE® CERVICAL



VI-0440 | VI-0810 | VI-0760



D60007

D60036

15/15

D60062.a.EN  
12.03.2020

**Silony Medical Corp.**  
8200 NW 27th Street, Suite 104  
Doral, FL 33122, USA  
Phone +1 305 916 0016

US REP

[www.silony-medical.com](http://www.silony-medical.com)

**Silony Medical GmbH**  
Leinfelder Straße 60  
70771 Leinfelden-Echterdingen, Germany  
Tel +49 711 78 25 25 0  
Fax +49 711 78 25 25 11

MADE IN GERMANY