

 D60007

 D60036

1/15

D60062.b.EN  
01.09.2022

This information is only intended for the USA and its territories.

 Silony Medical GmbH

Leinfelder Straße 60  
70771 Leinfelden-Echterdingen  
Tel +49 711 78 25 25 0  
Fax +49 711 78 25 25 11

[www.silony-medical.com](http://www.silony-medical.com)

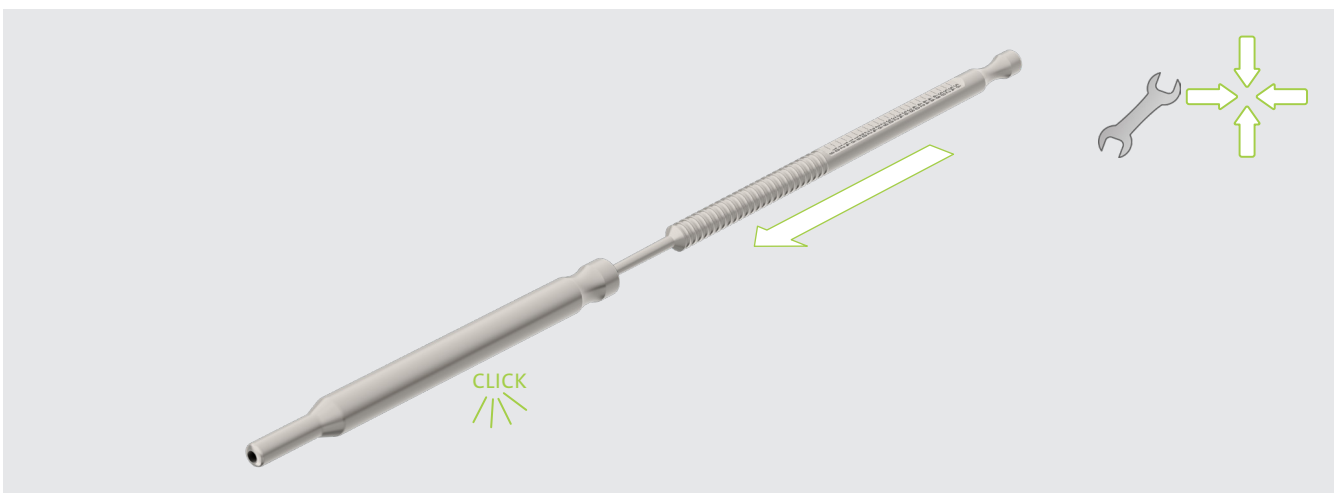
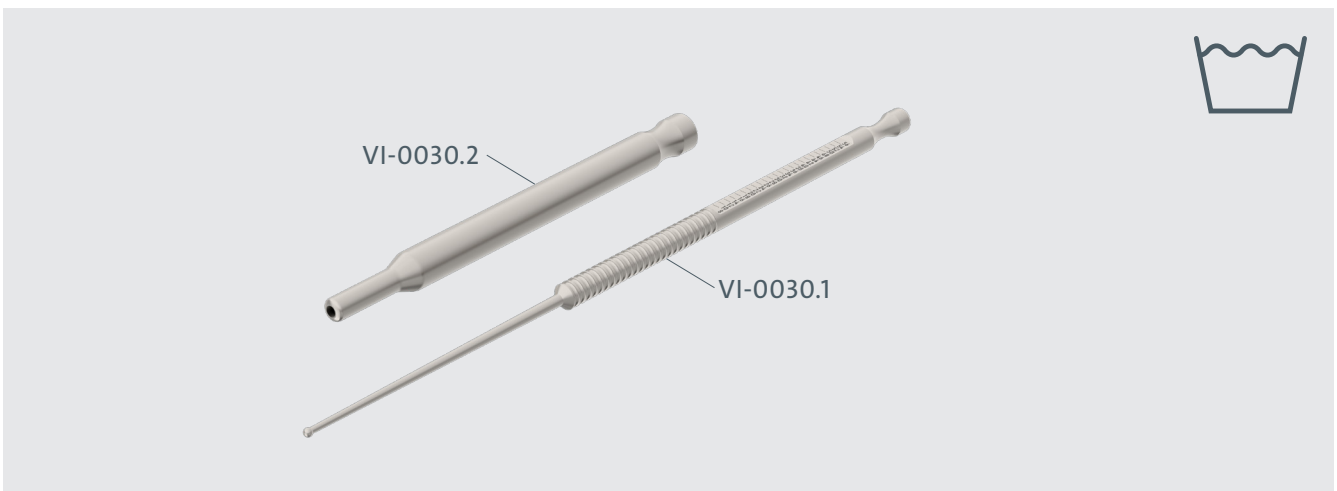
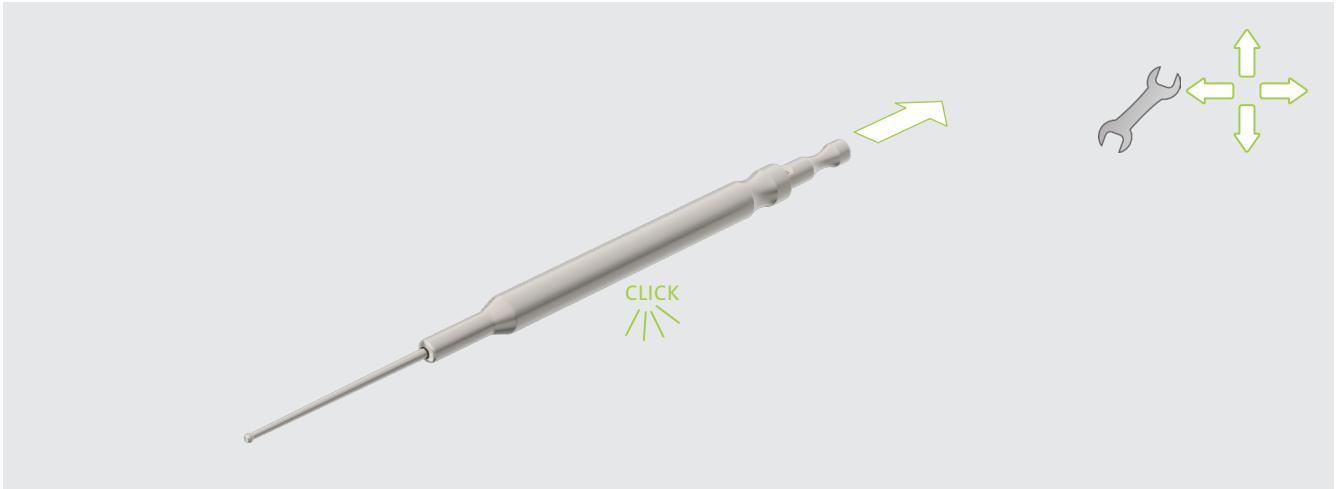
 [elabeling.silony-medical.com/contact](mailto:elabeling.silony-medical.com/contact)

MADE IN GERMANY

# VERTICALE® CERVICAL

VI-0030

[ VI-0030.1; VI-0030.2 ]



D60007

D60036

●

2/15

D60062.b.EN  
01.09.2022

This information is only intended for the USA and its territories.

Silony Medical GmbH

Leinfelder Straße 60  
70771 Leinfelden-Echterdingen  
Tel +49 711 78 25 25 0  
Fax +49 711 78 25 25 11

[www.silony-medical.com](http://www.silony-medical.com)

[elabeling.silony-medical.com/contact](mailto:elabeling.silony-medical.com/contact)

MADE IN GERMANY

# VERTICALE® CERVICAL



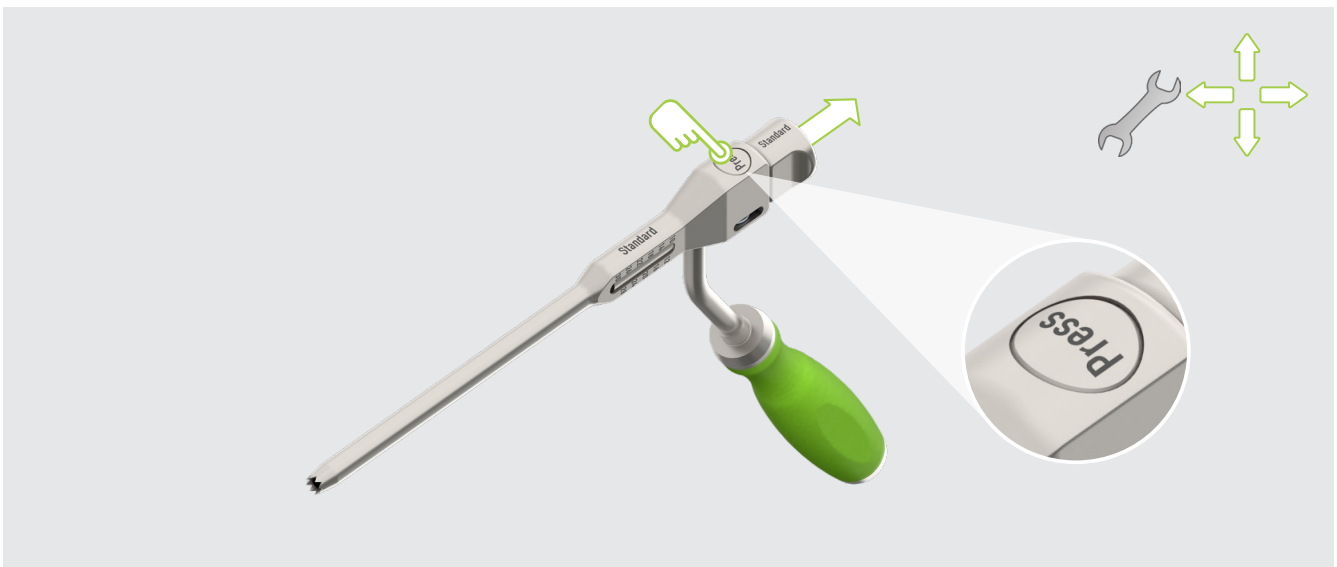
**VI-0256**  
[VI-0256.1; VI-0256.2]



**VI-0230**  
[VI-0230.1; VI-0230.2]



**VI-0720**  
[VI-0720.1; VI-0720.2]



D60007

D60036

● ○

3 / 15

D60062.b.EN  
01.09.2022

This information is only intended for the USA and its territories.

**Silony Medical GmbH**

Leinfelder Straße 60  
70771 Leinfelden-Echterdingen

Tel +49 711 78 25 25 0

Fax +49 711 78 25 25 11

[www.silony-medical.com](http://www.silony-medical.com)

[elabeling.silony-medical.com/contact](mailto:elabeling.silony-medical.com/contact)

MADE IN GERMANY

# VERTICALE® CERVICAL



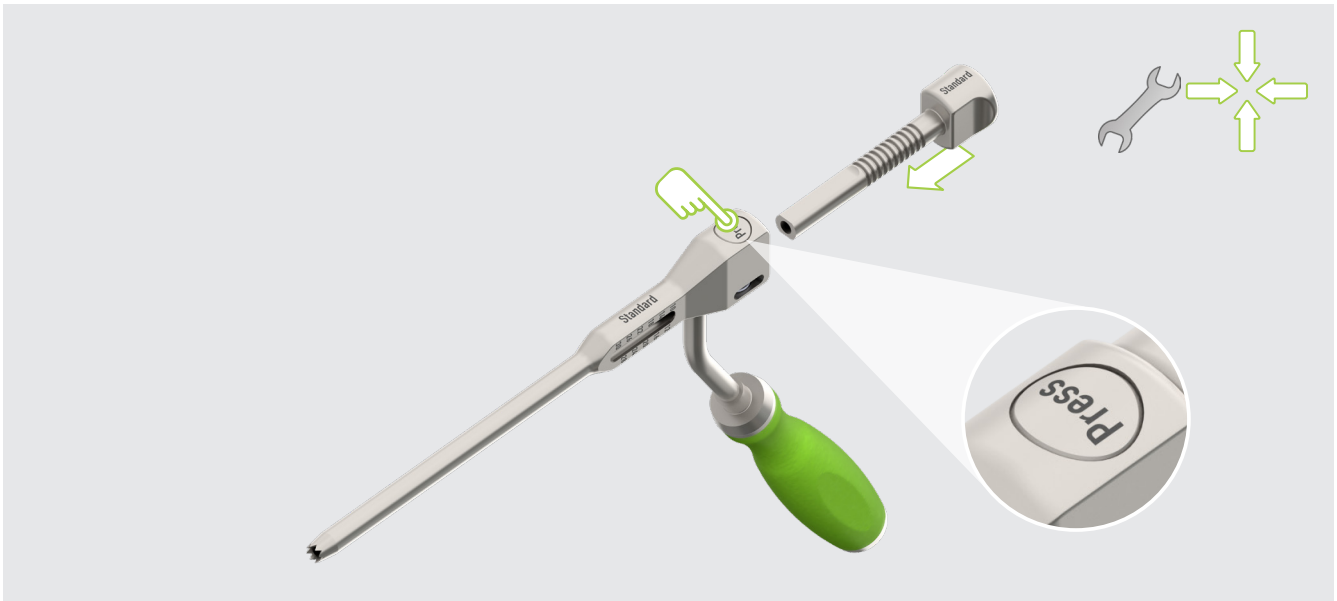
VI-0256  
[VI-0256.1; VI-0256.2]



VI-0230  
[VI-0230.1; VI-0230.2]



VI-0720  
[VI-0720.1; VI-0720.2]



D60007

D60036

○ ●

4 / 15

D60062.b.EN  
01.09.2022

This information is only intended for the USA and its territories.

Silony Medical GmbH

Leinfelder Straße 60  
70771 Leinfelden-Echterdingen  
Tel +49 711 78 25 25 0  
Fax +49 711 78 25 25 11

[www.silony-medical.com](http://www.silony-medical.com)

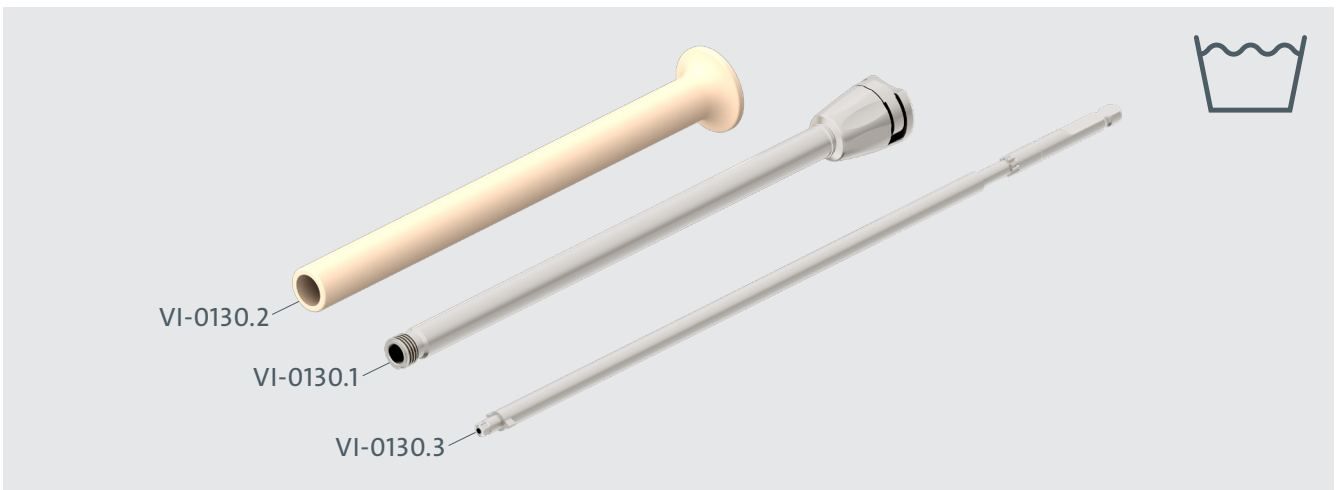
[elabeling.silony-medical.com/contact](mailto:elabeling.silony-medical.com/contact)

MADE IN GERMANY

# VERTICALE® CERVICAL

VI-0130

[ VI-0130.1; VI-0130.2; VI-0130.3 ]



 D60007

 D60036

● ○

5/15

D60062.b.EN  
01.09.2022

This information is only intended for the USA and its territories.

 **Silony Medical GmbH**

Leinfelder Straße 60  
70771 Leinfelden-Echterdingen

Tel +49 711 78 25 25 0

Fax +49 711 78 25 25 11

[www.silony-medical.com](http://www.silony-medical.com)

 [elabeling.silony-medical.com/contact](mailto:elabeling.silony-medical.com/contact)

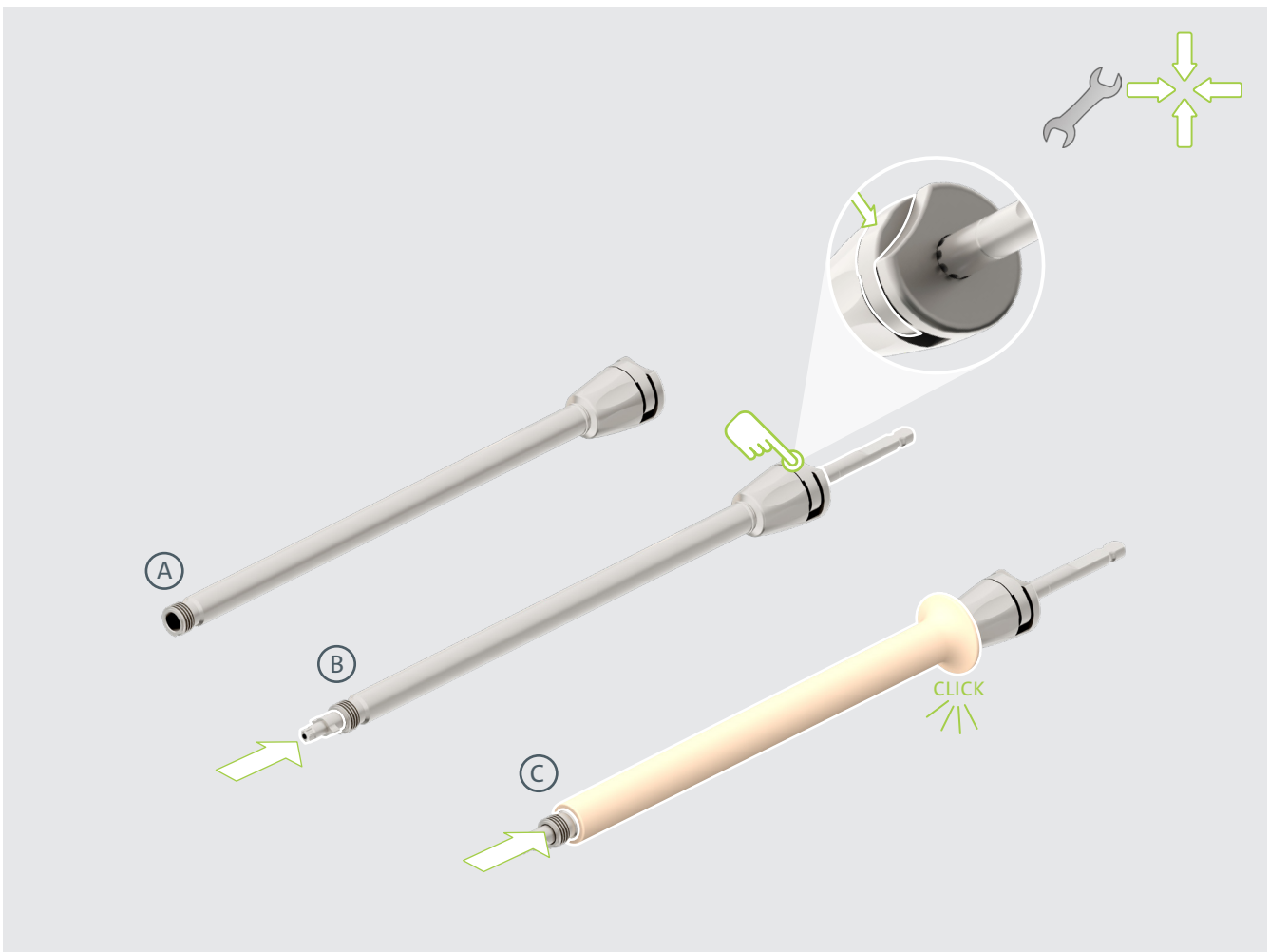
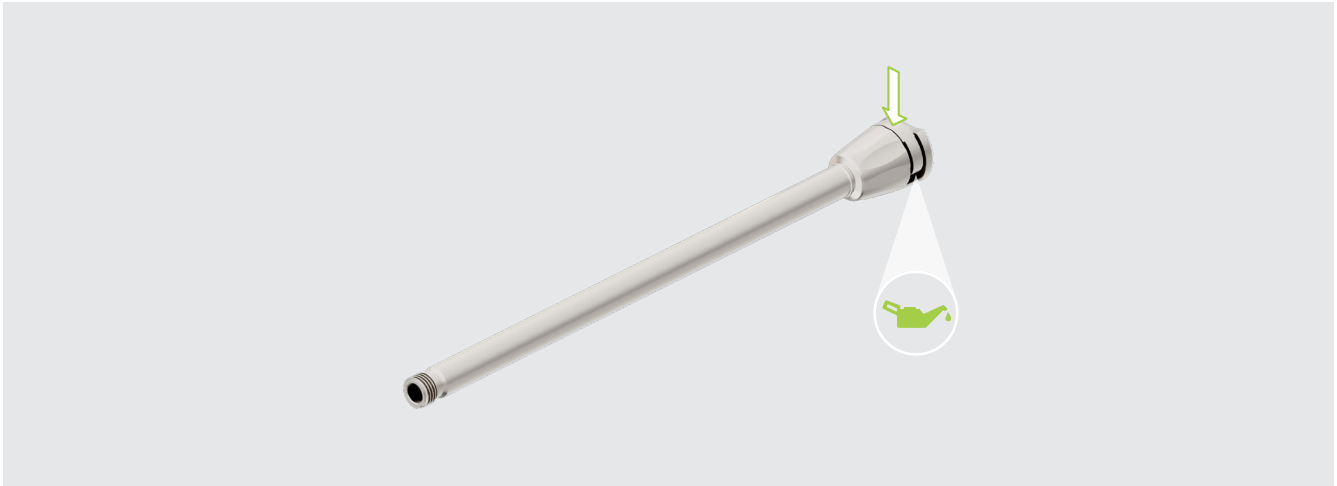
MADE IN GERMANY

# VERTICALE® CERVICAL



VI-0130

[ VI-0130.1; VI-0130.2; VI-0130.3 ]



D60007

D60036

○ ●

6 / 15

D60062.b.EN  
01.09.2022

This information is only intended for the USA and its territories.

Silony Medical GmbH

Leinfelder Straße 60  
70771 Leinfelden-Echterdingen  
Tel +49 711 78 25 25 0  
Fax +49 711 78 25 25 11

[www.silony-medical.com](http://www.silony-medical.com)

[elabeling.silony-medical.com/contact](mailto:elabeling.silony-medical.com/contact)

MADE IN GERMANY

# VERTICALE® CERVICAL



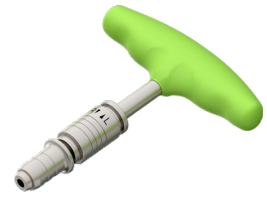
VI-0201



VI-0211

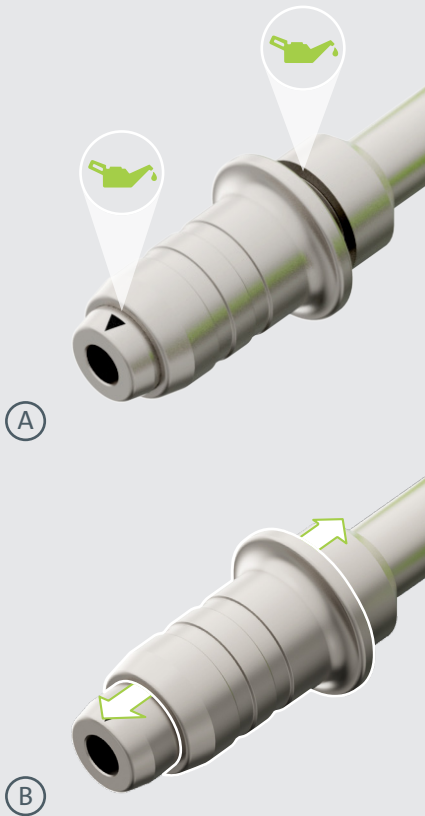


VI-0301



VI-0311

VI-0301 / VI-0311 / VI-0201 / VI-0211



VI-0311 / VI-0211



D60007

D60036

● ○

7/15

D60062.b.EN  
01.09.2022

This information is only intended for the USA and its territories.

Silony Medical GmbH

Leinfelder Straße 60  
70771 Leinfelden-Echterdingen

Tel +49 711 78 25 25 0

Fax +49 711 78 25 25 11

[www.silony-medical.com](http://www.silony-medical.com)

[elabeling.silony-medical.com/contact](mailto:elabeling.silony-medical.com/contact)

MADE IN GERMANY

# VERTICALE® CERVICAL



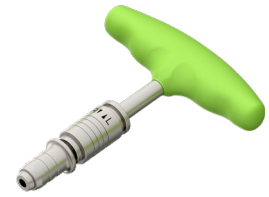
VI-0201



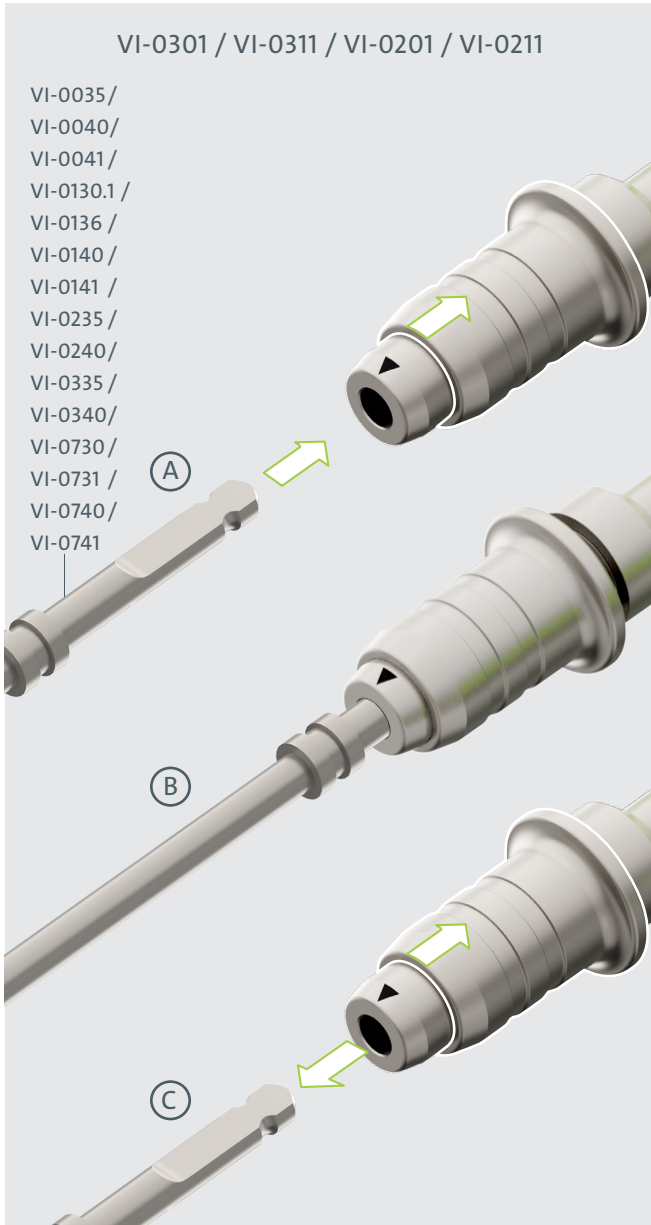
VI-0211



VI-0301



VI-0311



D60007

D60036

○ ●

8 / 15

D60062.b.EN  
01.09.2022

This information is only intended for the USA and its territories.

Silony Medical GmbH

Leinfelder Straße 60  
70771 Leinfelden-Echterdingen  
Tel +49 711 78 25 25 0  
Fax +49 711 78 25 25 11

[www.silony-medical.com](http://www.silony-medical.com)

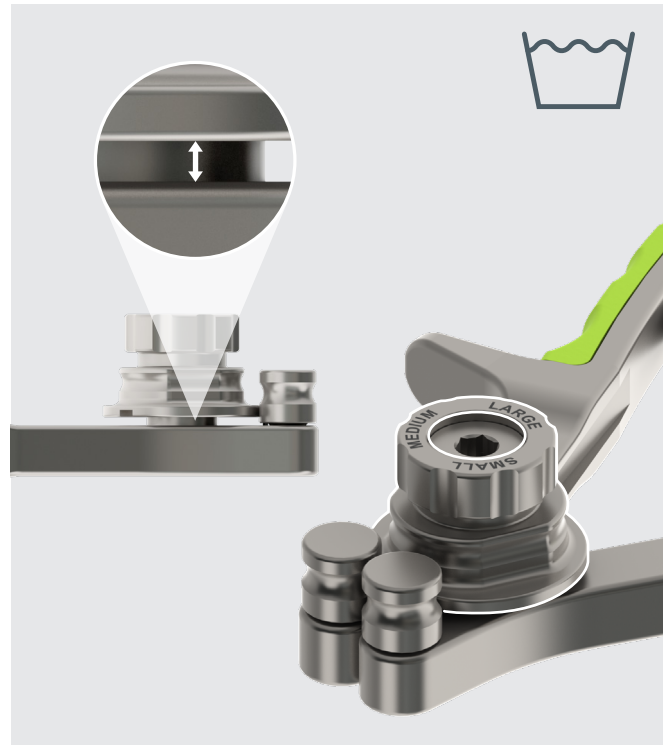
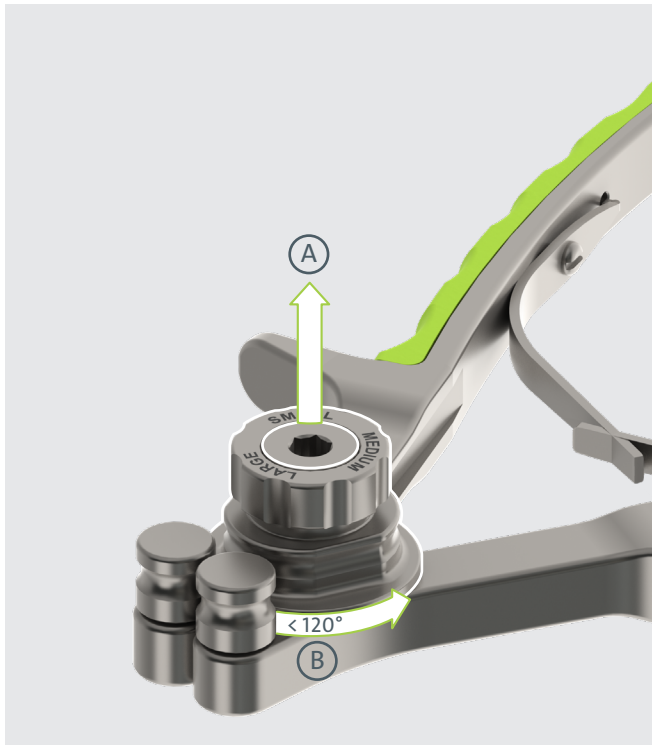
[elabeling.silony-medical.com/contact](mailto:elabeling.silony-medical.com/contact)

MADE IN GERMANY



# VERTICALE® CERVICAL

VI-0610



 D60007

 D60036

9 / 15

D60062.b.EN  
01.09.2022

This information is only intended for the USA and its territories.

 **Silony Medical GmbH**

Leinfelder Straße 60  
70771 Leinfelden-Echterdingen  
Tel +49 711 78 25 25 0  
Fax +49 711 78 25 25 11

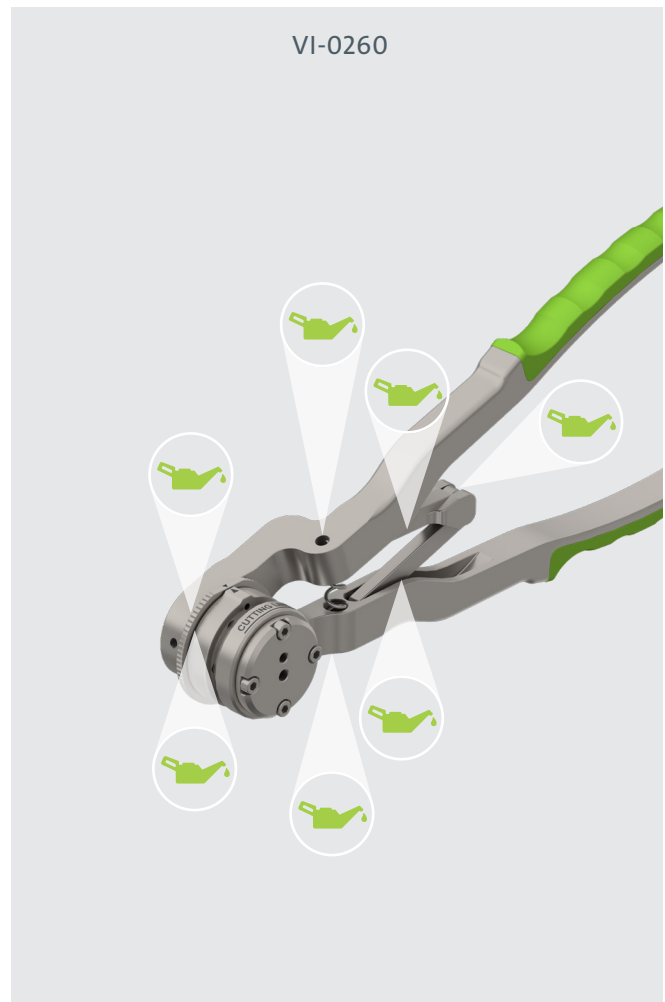
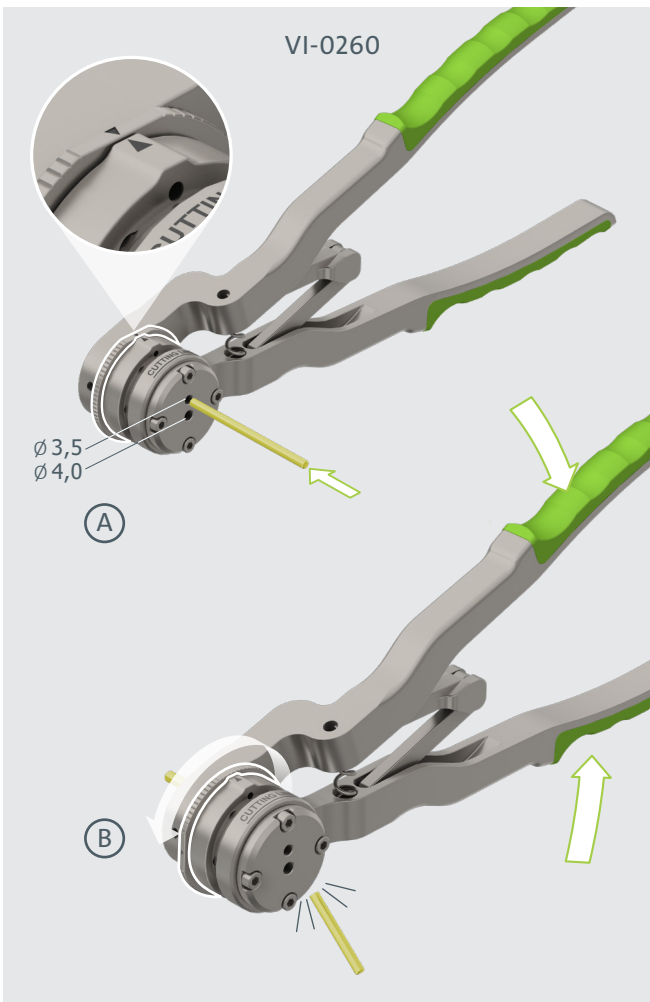
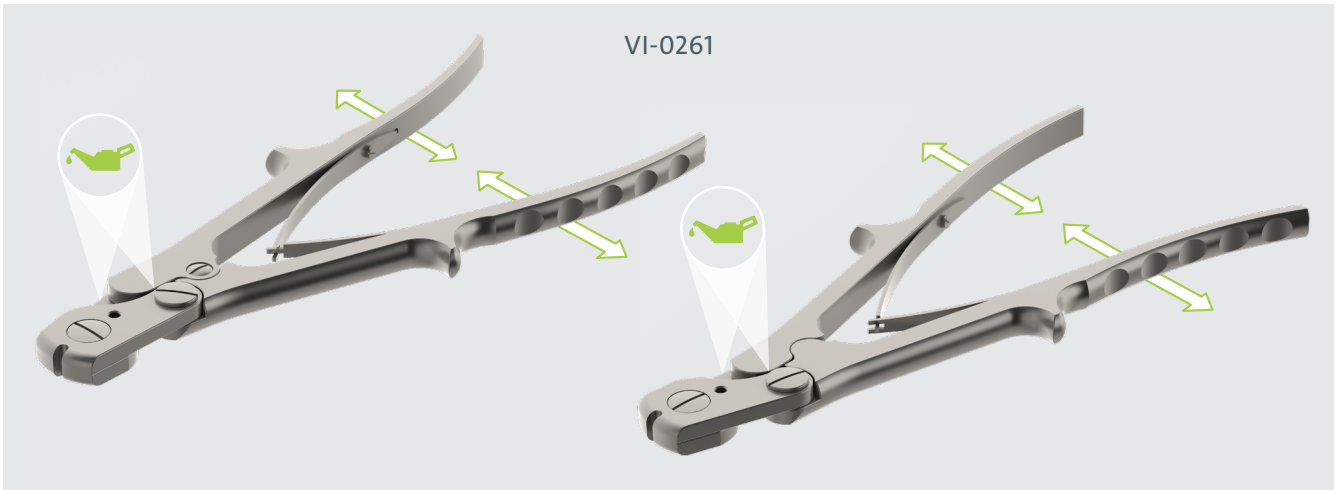
 [elabeling.silony-medical.com/contact](mailto:elabeling.silony-medical.com/contact)

[www.silony-medical.com](http://www.silony-medical.com)

MADE IN GERMANY

# VERTICALE® CERVICAL

VI-0260, VI-0261



D60007

D60036

10 / 15

D60062.b.EN  
01.09.2022

This information is only intended for the USA and its territories.

Silony Medical GmbH

Leinfelder Straße 60  
70771 Leinfelden-Echterdingen  
Tel +49 711 78 25 25 0  
Fax +49 711 78 25 25 11

[www.silony-medical.com](http://www.silony-medical.com)

[elabeling.silony-medical.com/contact](mailto:elabeling.silony-medical.com/contact)

MADE IN GERMANY

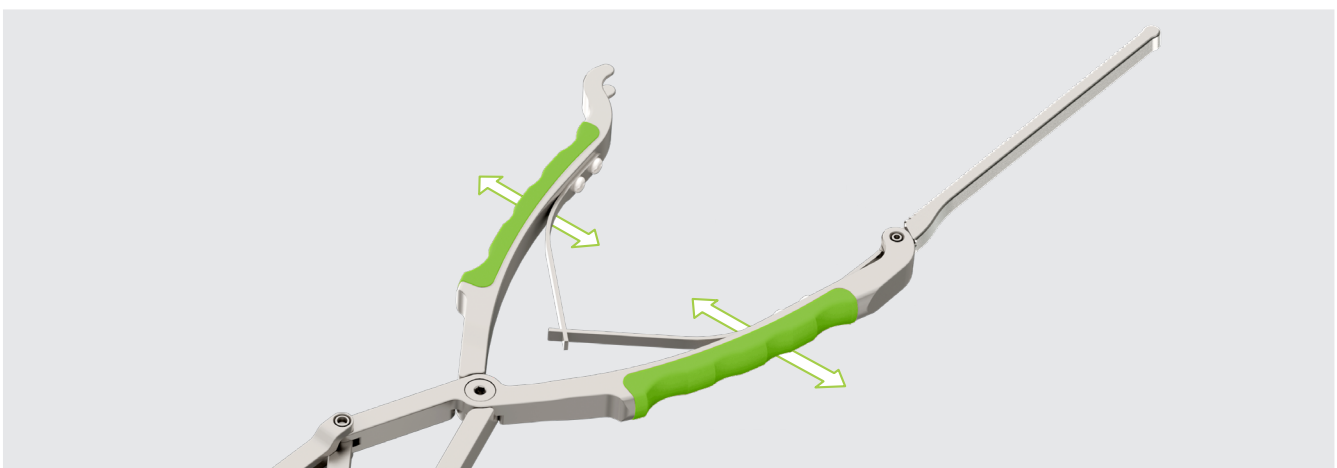
# VERTICALE® CERVICAL



VI-0620



VI-0630



 D60007

 D60036

●

11 / 15

D60062.b.EN  
01.09.2022

This information is only intended for the USA and its territories.

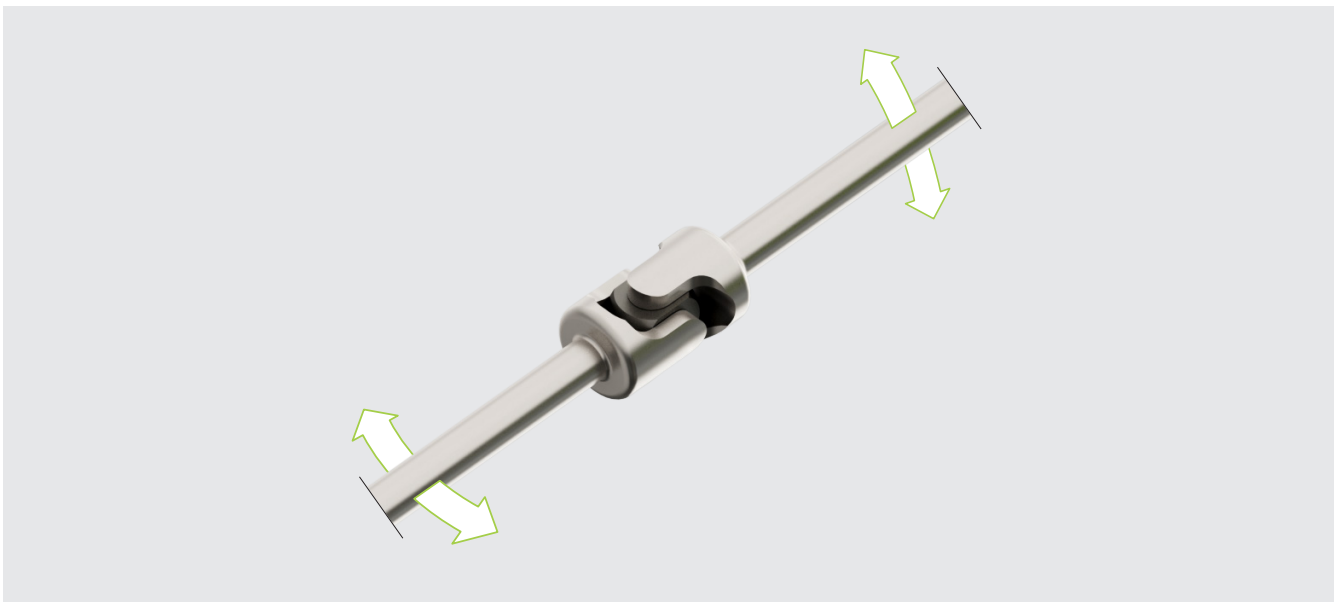
 **Silony Medical GmbH**

Leinfelder Straße 60  
70771 Leinfelden-Echterdingen  
Tel +49 711 78 25 25 0  
Fax +49 711 78 25 25 11

 [elabeling.silony-medical.com/contact](mailto:elabeling.silony-medical.com/contact)

[www.silony-medical.com](http://www.silony-medical.com)

MADE IN GERMANY



 D60007

 D60036

●

12 / 15

D60062.b.EN  
01.09.2022

This information is only intended for the USA and its territories.

 **Silony Medical GmbH**

Leinfelder Straße 60  
70771 Leinfelden-Echterdingen  
Tel +49 711 78 25 25 0  
Fax +49 711 78 25 25 11

 [elabeling.silony-medical.com/contact](mailto:elabeling.silony-medical.com/contact)

[www.silony-medical.com](http://www.silony-medical.com)

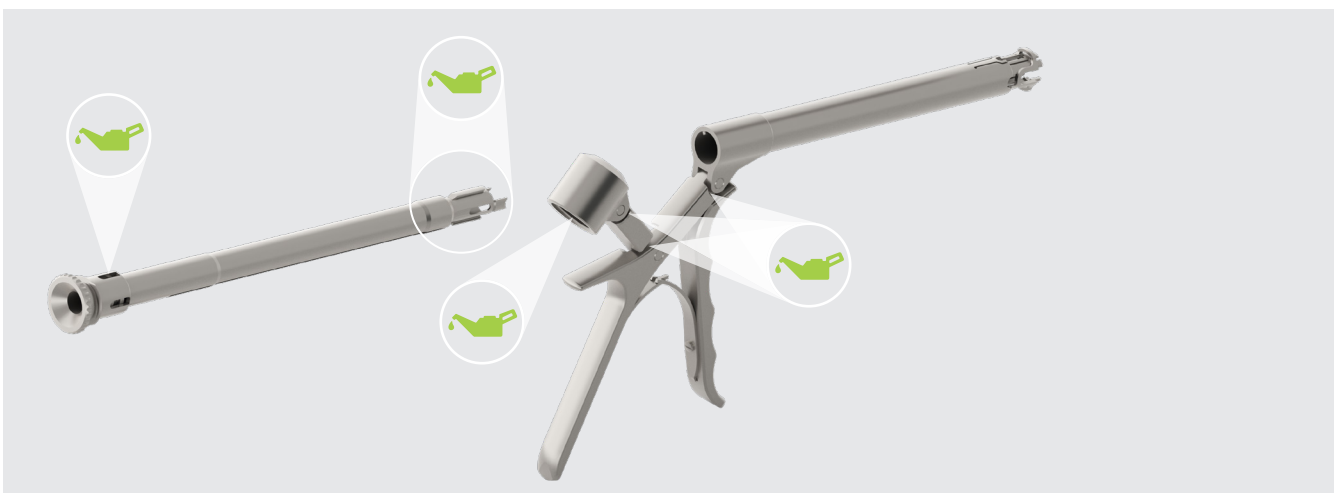
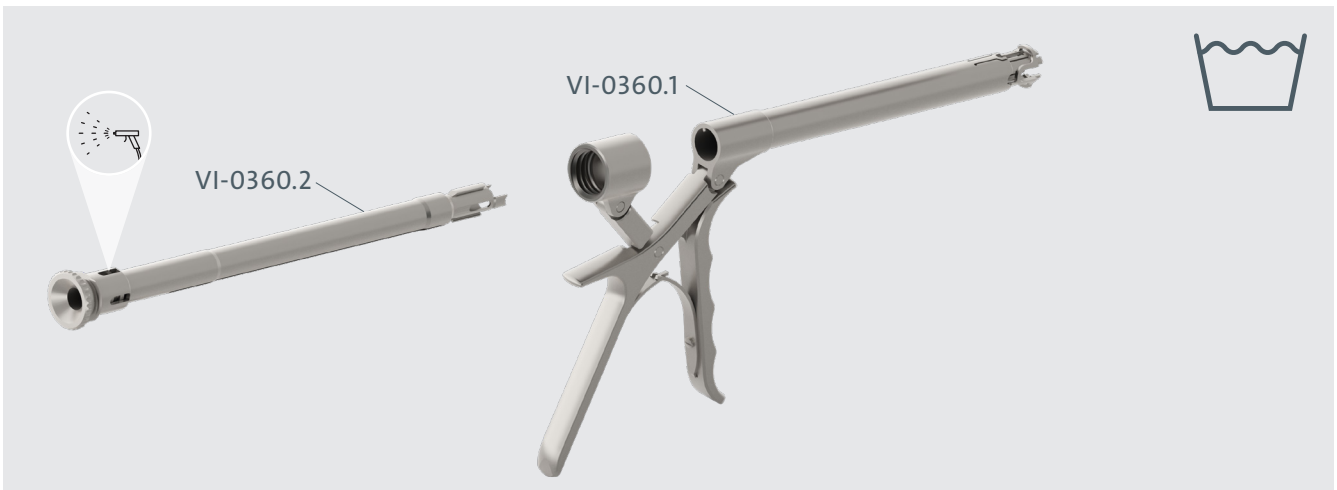
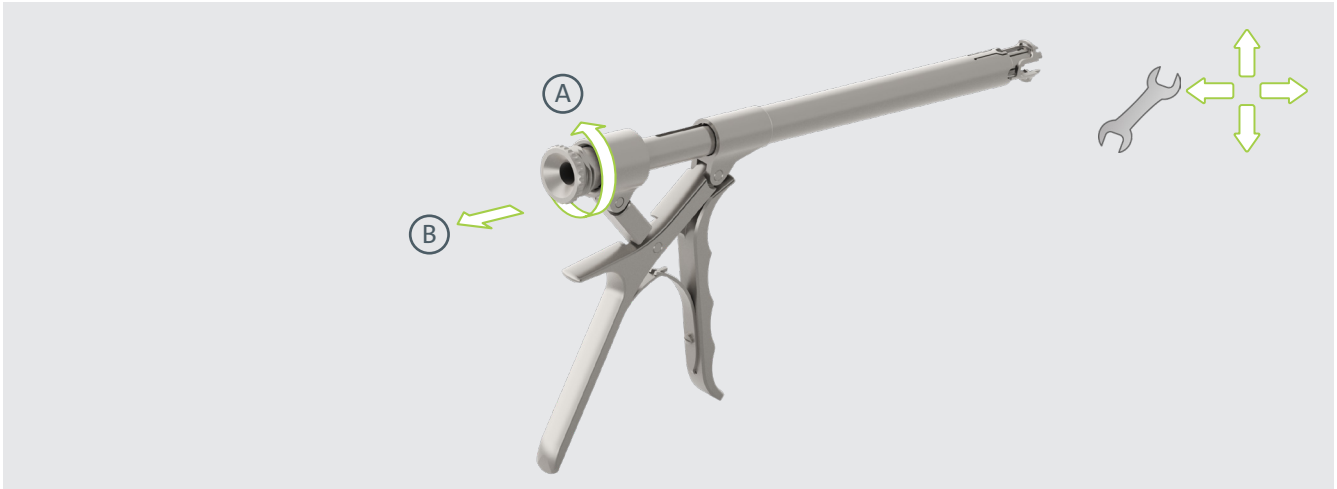
MADE IN GERMANY

# VERTICALE® CERVICAL



VI-0360

[ VI-0360.1; VI-0360.2 ]



60007

60036

● ○

13 / 15

D60062.b.EN  
01.09.2022

This information is only intended for the USA and its territories.

Silony Medical GmbH

Leinfelder Straße 60  
70771 Leinfelden-Echterdingen  
Tel +49 711 78 25 25 0  
Fax +49 711 78 25 25 11

[www.silony-medical.com](http://www.silony-medical.com)

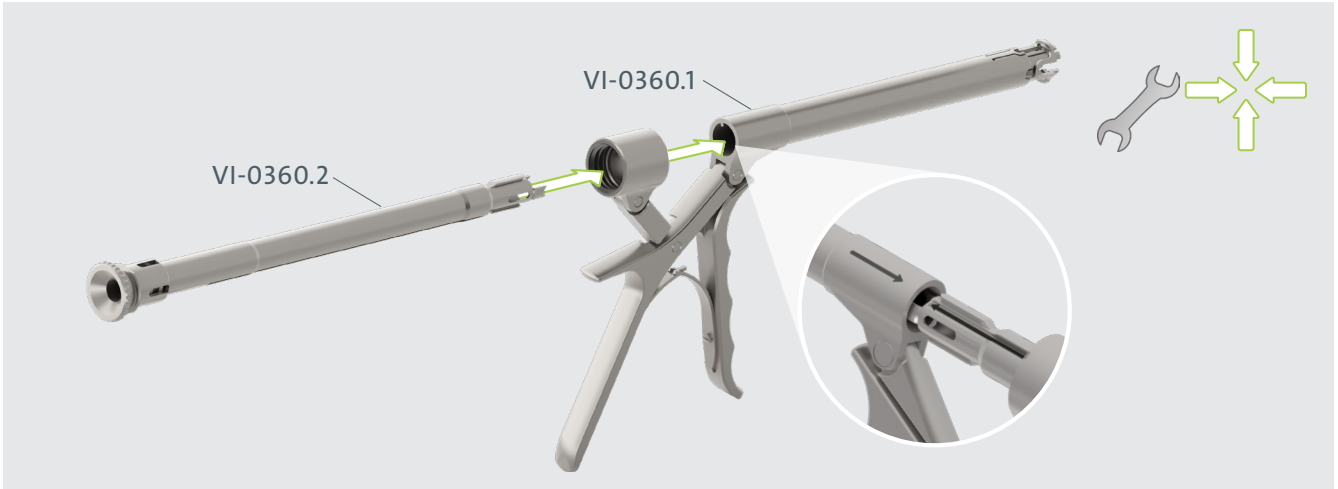
[elabeling.silony-medical.com/contact](mailto:elabeling.silony-medical.com/contact)

MADE IN GERMANY

# VERTICALE® CERVICAL

VI-0360

[ VI-0360.1; VI-0360.2 ]



 D60007

 D60036

○ ●

14 / 15

D60062.b.EN  
01.09.2022

This information is only intended for the USA and its territories.

 **Silony Medical GmbH**

Leinfelder Straße 60  
70771 Leinfelden-Echterdingen  
Tel +49 711 78 25 25 0  
Fax +49 711 78 25 25 11

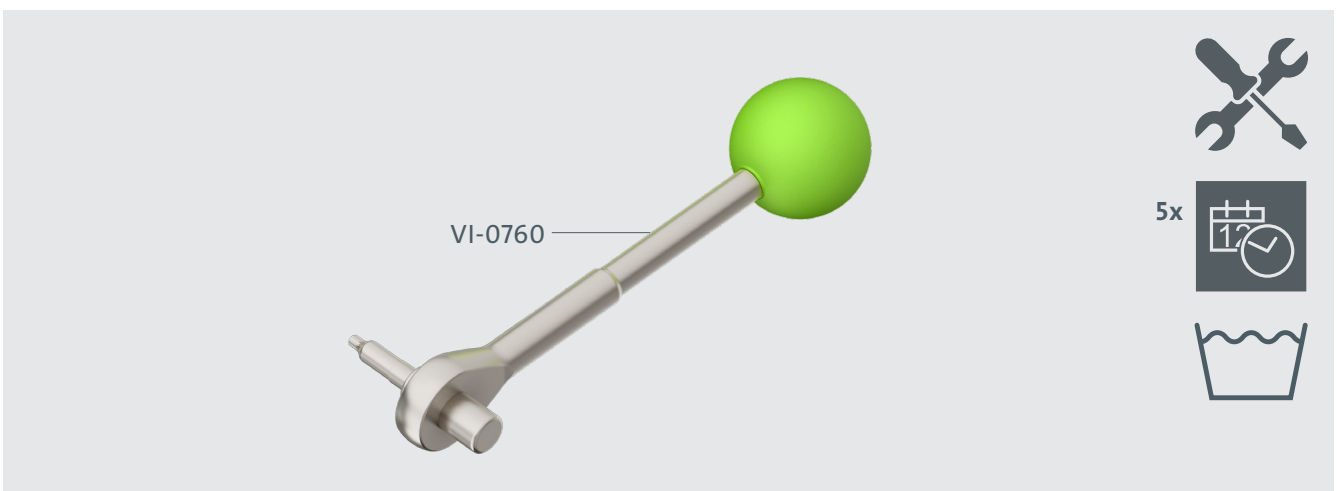
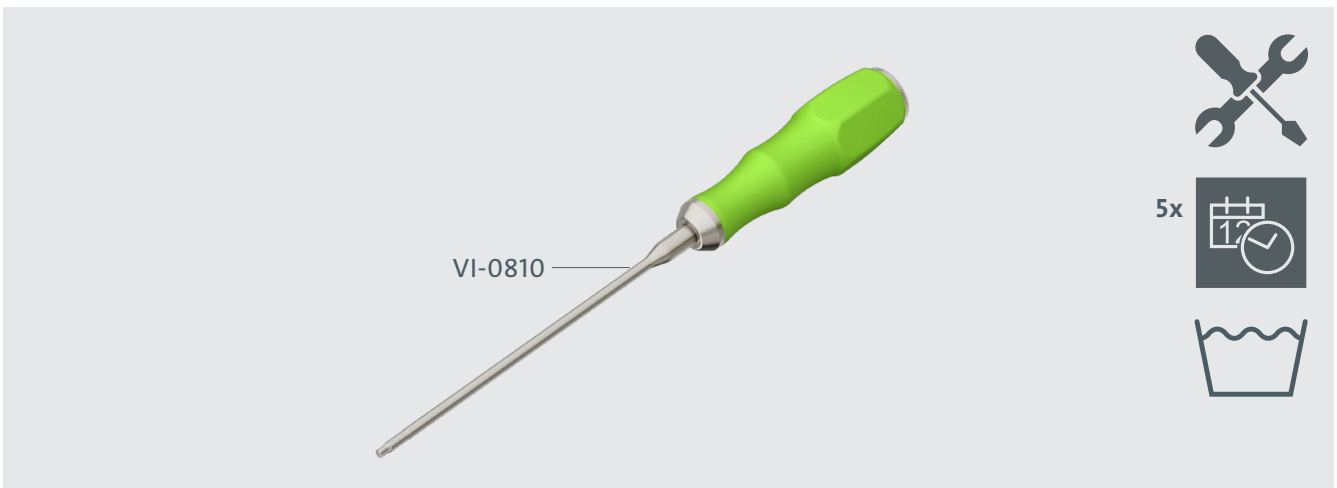
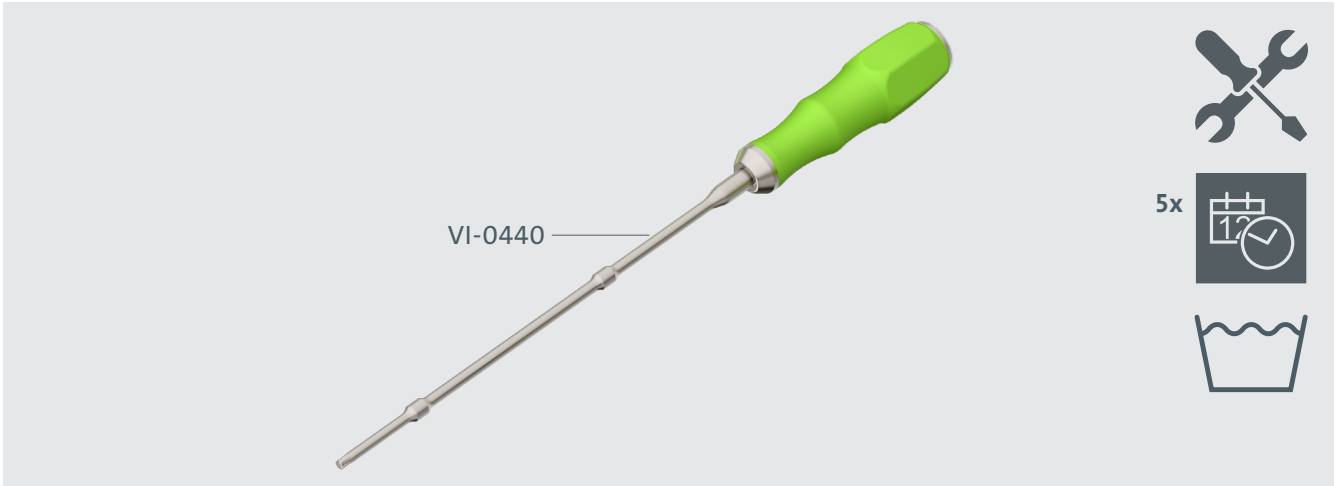
 [elabeling.silony-medical.com/contact](mailto:elabeling.silony-medical.com/contact)

[www.silony-medical.com](http://www.silony-medical.com)

MADE IN GERMANY

# VERTICALE® CERVICAL

VI-0440 | VI-0810 | VI-0760



D60007

D60036

15/15

D60062.b.EN  
01.09.2022

This information is only intended for the USA and its territories.

**Silony Medical GmbH**

Leinfelder Straße 60  
70771 Leinfelden-Echterdingen  
Tel +49 711 78 25 25 0  
Fax +49 711 78 25 25 11

[elabeling.silony-medical.com/contact](mailto:elabeling.silony-medical.com/contact)

MADE IN GERMANY

[www.silony-medical.com](http://www.silony-medical.com)