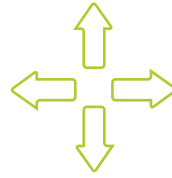


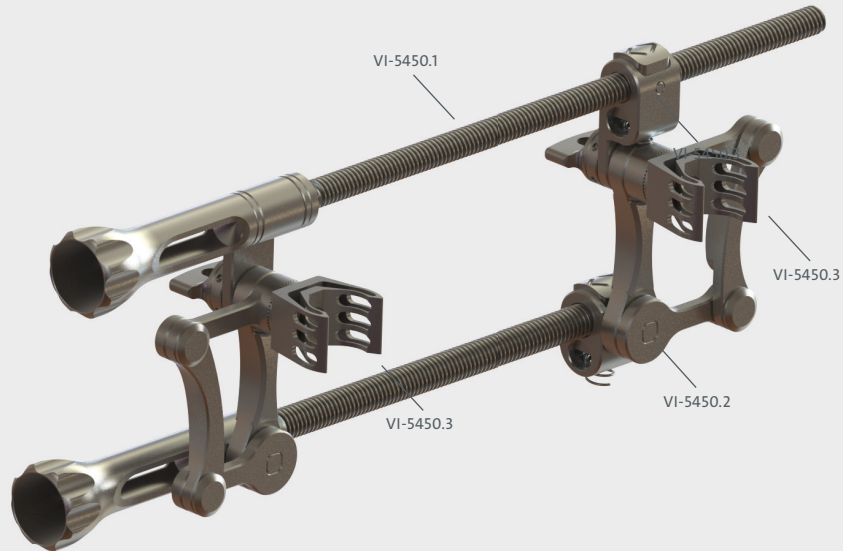
VERTICALE® MultiLocking

VI-5450

[VI-5450.1; VI-5450.2; VI-5450.3]



A)



B)



 D60007

 D60065

1/4

D60072.a.EN
23.11.2020

 **Silony Medical Corp.**

8200 NW 27th Street, Suite 104
Doral, FL 33122, USA
Phone +1 305 916 0016

US REP

www.silony-medical.com

 **Silony Medical GmbH**

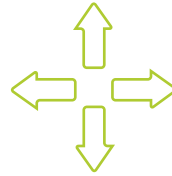
Leinfelder Straße 60
70771 Leinfelden-Echterdingen, Germany
Tel +49 711 78 25 25 0
Fax +49 711 78 25 25 11

MADE IN GERMANY

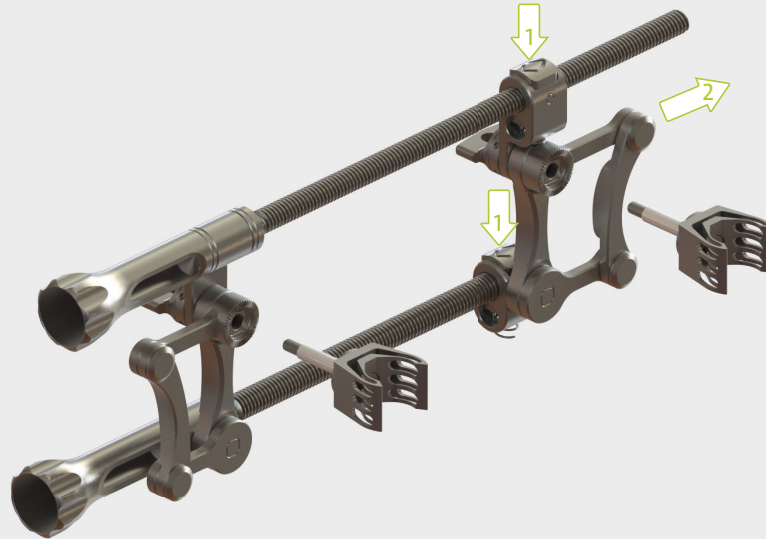
VERTICALE® MultiLocking

VI-5450

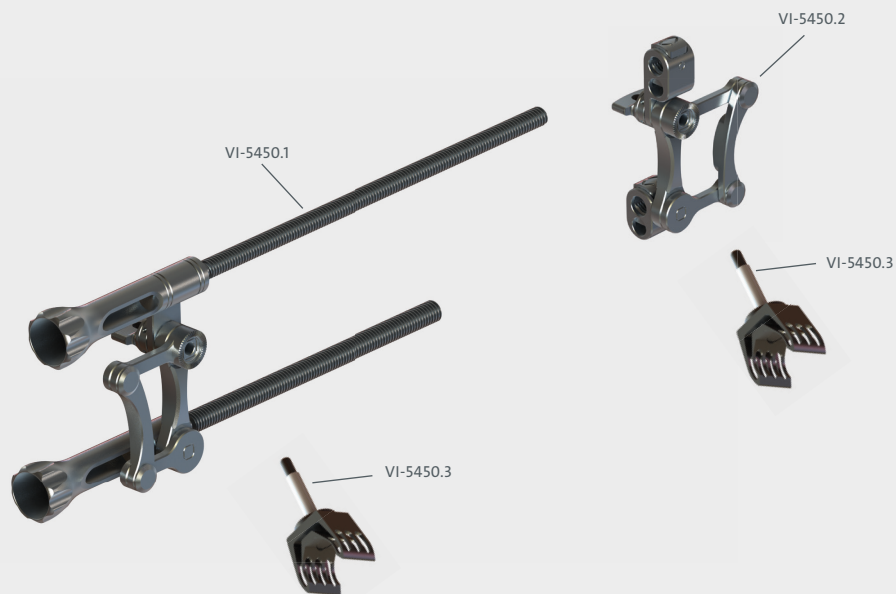
[VI-5450.1; VI-5450.2; VI-5450.3]



c)



D)



 D60007

2/4

D60072.a.EN
23.11.2020

 D60065

 **Silony Medical Corp.**

8200 NW 27th Street, Suite 104
Doral, FL 33122, USA
Phone +1 305 916 0016

US REP

www.silony-medical.com

 **Silony Medical GmbH**

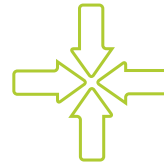
Leinfelder Straße 60
70771 Leinfelden-Echterdingen, Germany
Tel +49 711 78 25 25 0
Fax +49 711 78 25 25 11

MADE IN GERMANY

VERTICALE® MultiLocking

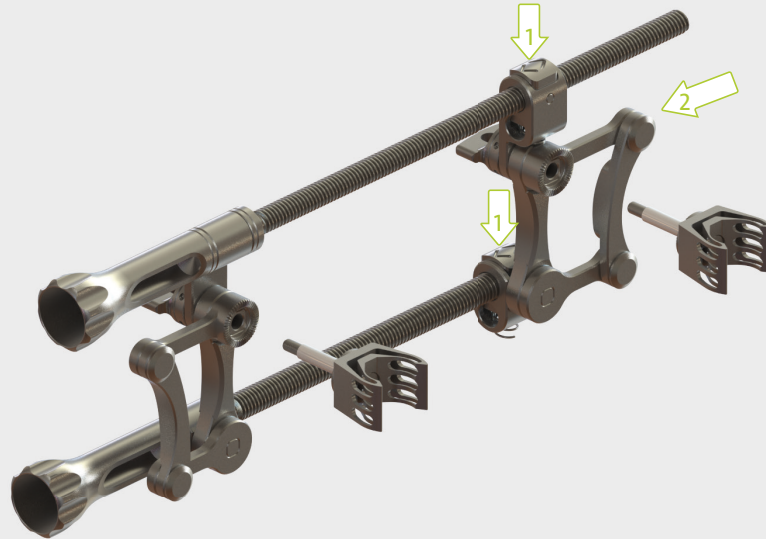
VI-5450

[VI-5450.1; VI-5450.2; VI-5450.3]



silony
MEDICAL

E)



F)



 D60007

3/4

D60072.a.EN
23.11.2020

 D60065

 **Silony Medical Corp.**

8200 NW 27th Street, Suite 104
Doral, FL 33122, USA
Phone +1 305 916 0016

US | **REP**

www.silony-medical.com

 **Silony Medical GmbH**

Leinfelder Straße 60
70771 Leinfelden-Echterdingen, Germany
Tel +49 711 78 25 25 0
Fax +49 711 78 25 25 11

MADE IN GERMANY

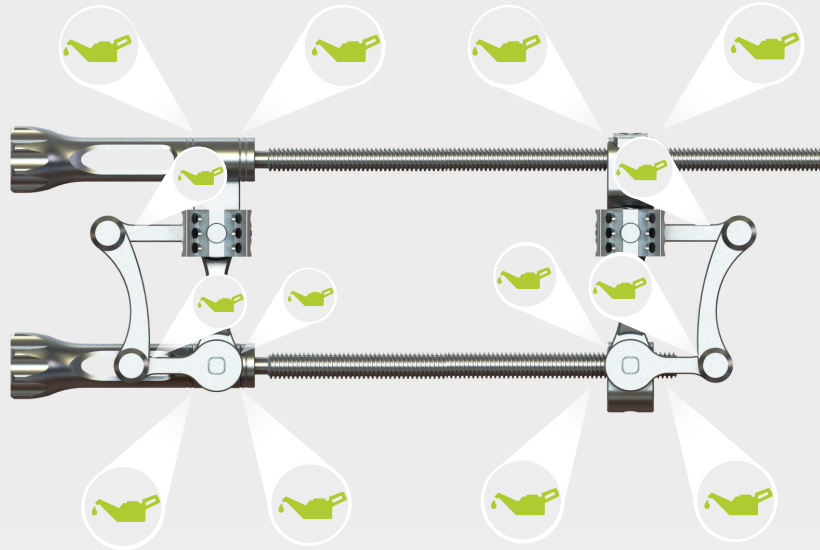
VERTICALE® MultiLocking

VI-5450

[VI-5450.1; VI-5450.2; VI-5450.3]



G)



 D60007

4/4

D60072.a.EN
23.11.2020

 D60065

Silony Medical Corp.

8200 NW 27th Street, Suite 104
Doral, FL 33122, USA
Phone +1 305 916 0016



www.silony-medical.com

Silony Medical GmbH

Leinfelder Straße 60
70771 Leinfelden-Echterdingen, Germany
Tel +49 711 78 25 25 0
Fax +49 711 78 25 25 11

MADE IN GERMANY