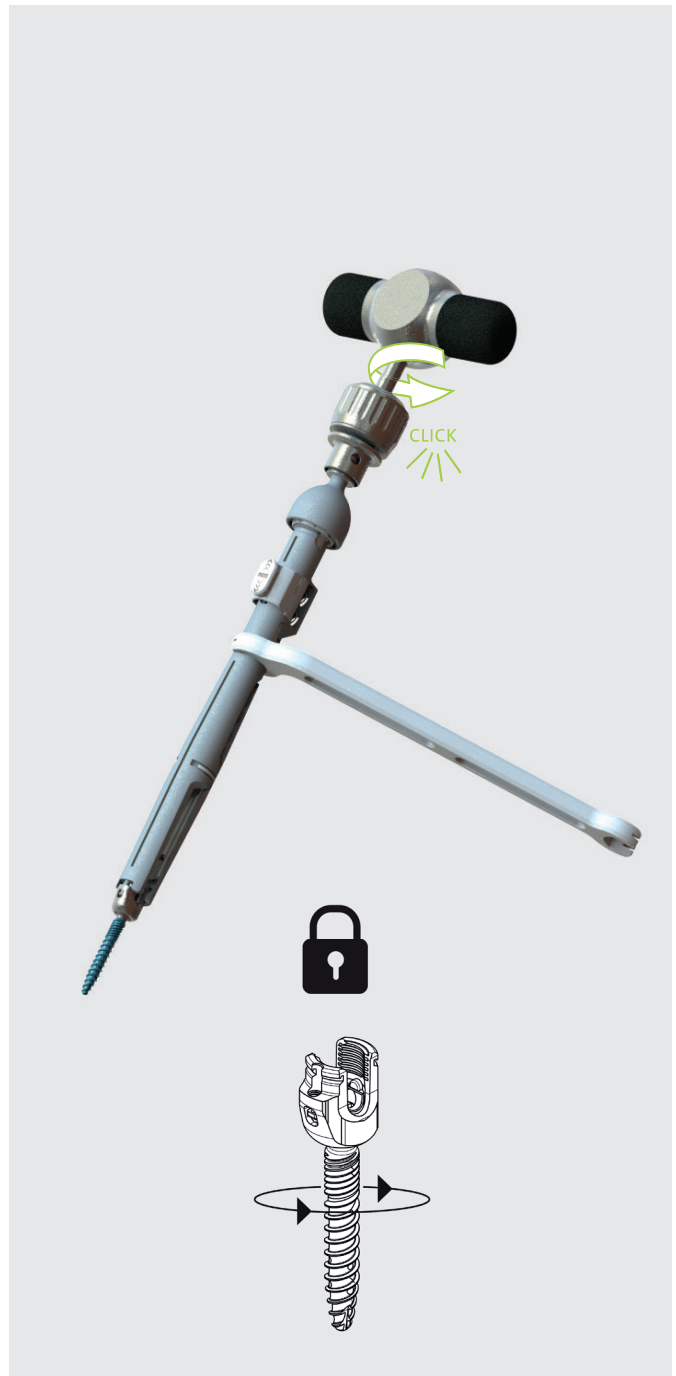
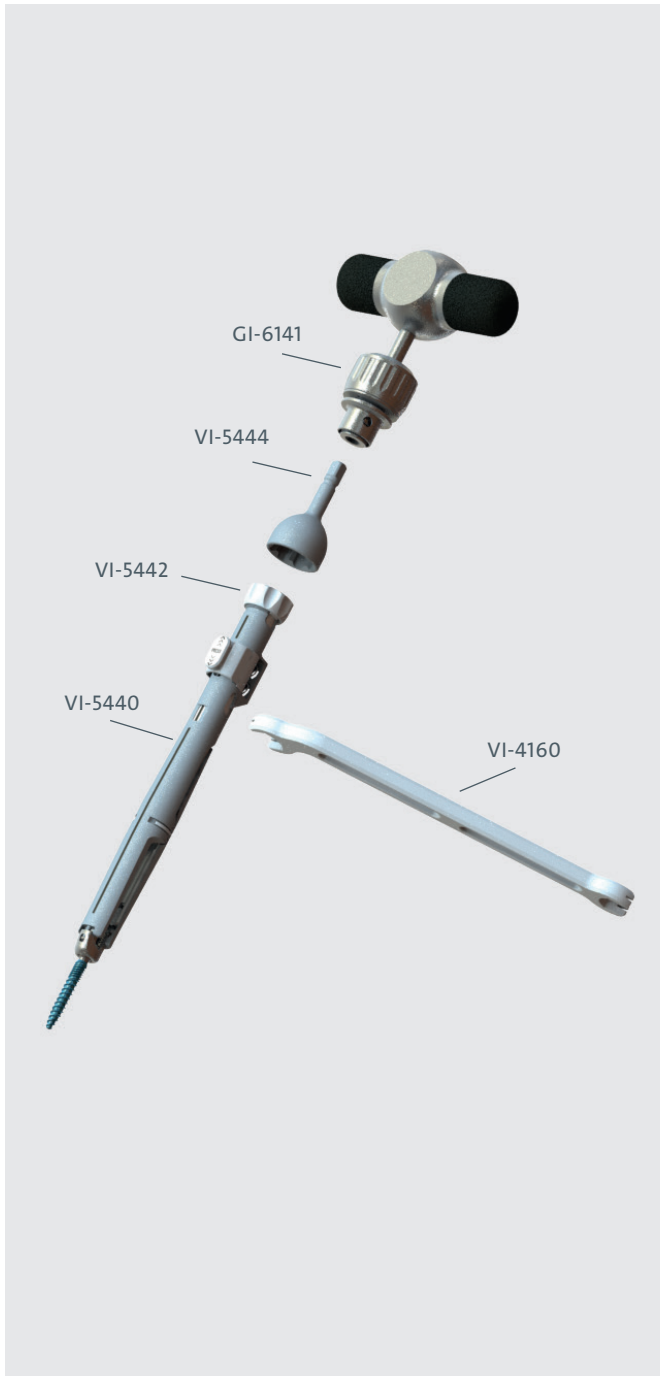


VERTICALE® MultiLocking

GI-6141, VI-5442

[VI-4160; VI-5440; VI-5444]




 D60007

1/2

D60081.a.EN
15.06.2023

 D60065

 **Silony Medical GmbH**
Leinfelder Straße 60
70771 Leinfelden-Echterdingen
Tel +49 711 78 25 25 0
Fax +49 711 78 25 25 11

 [elabeling.silony-medical.com/contact](https://www.silony-medical.com/contact)

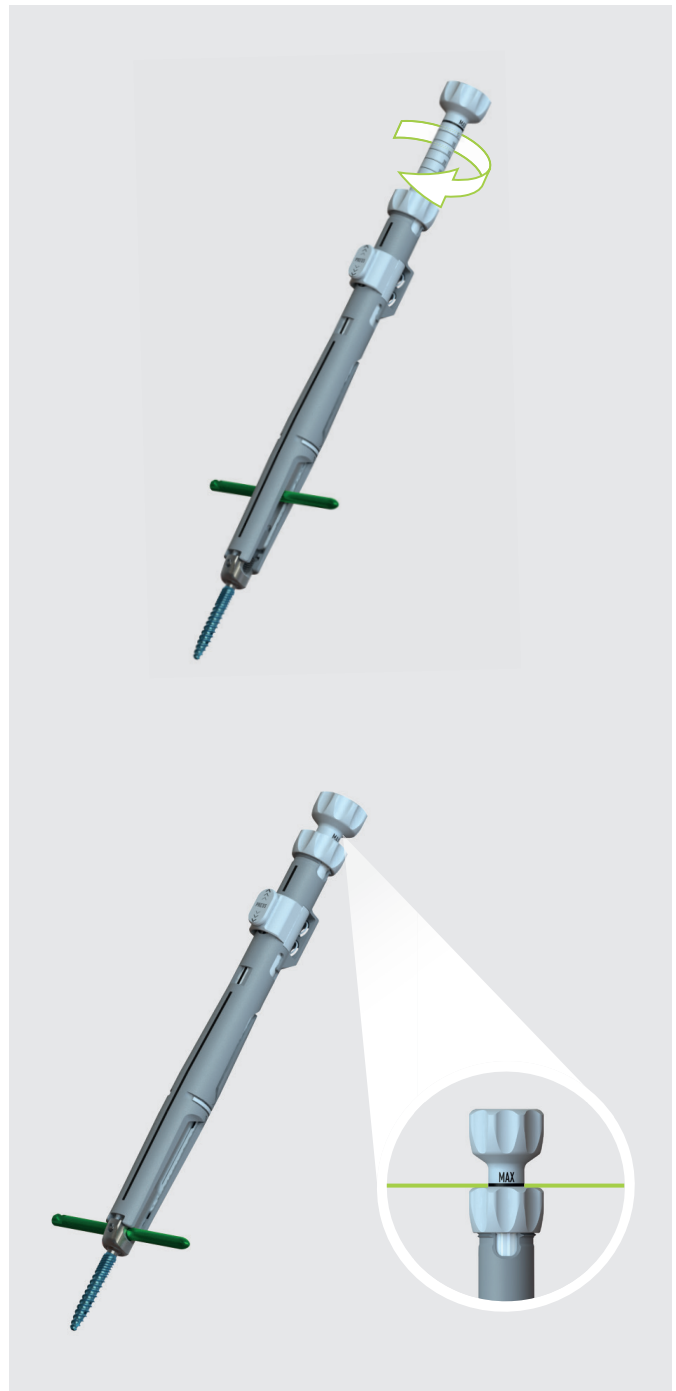
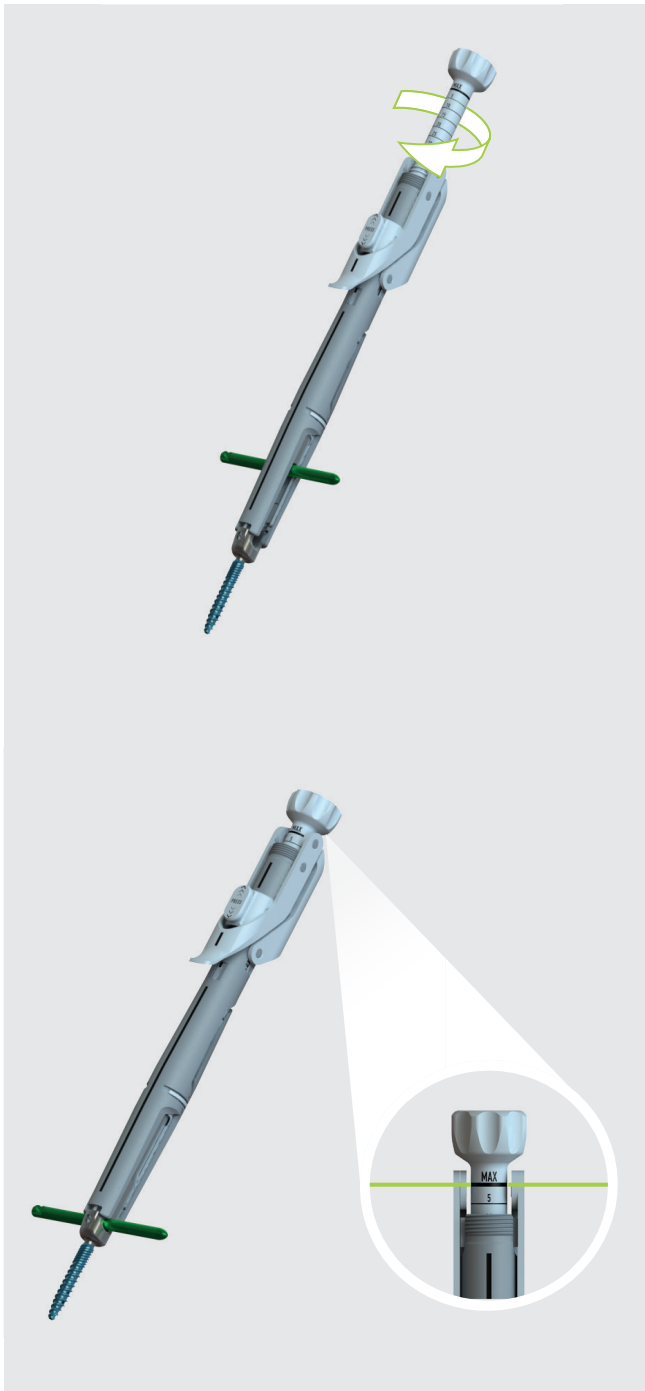
www.silony-medical.com

MADE IN GERMANY

VERTICALE® MultiLocking

VI-5443

[VI-5440; VI-5441; VI-5442]



 D60007

2/2

D60081.a.EN
15.06.2023

 D60065

 **Silony Medical GmbH**
Leinfelder Straße 60
70771 Leinfelden-Echterdingen
Tel +49 711 78 25 25 0
Fax +49 711 78 25 25 11
www.silony-medical.com

 elabeling.silony-medical.com/contact

MADE IN GERMANY